
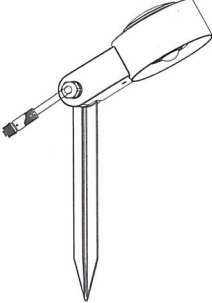
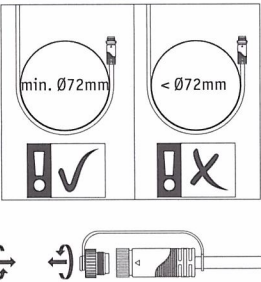


Art.-Nr.: 939.23  
939.24  
(+MA 326) PH03/18

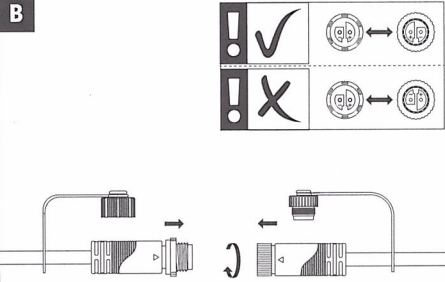



CE

**A**

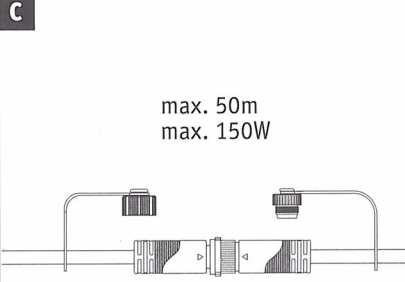
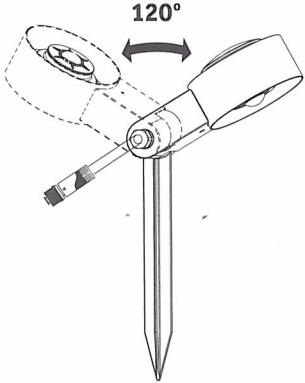


**B**

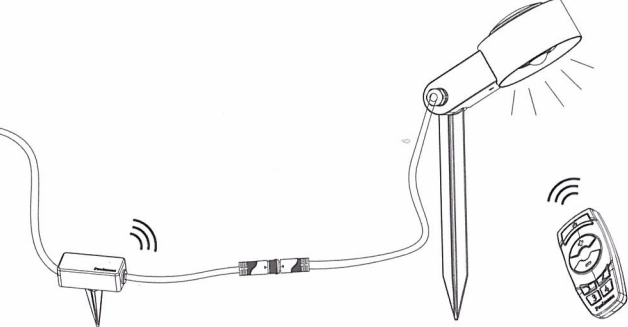



**C**


max. 50m  
max. 150W


120°

Control Box



Remote Control

not incl.  
 Paulmann  
 Art.-Nr. 180.11

