

Fienile

Design Daniel Rybakken



Type: Table




Lamps: LED 19W 2700K, CRI 90 EEL: A+
24V dc dimmer on board

Product use: Indoor

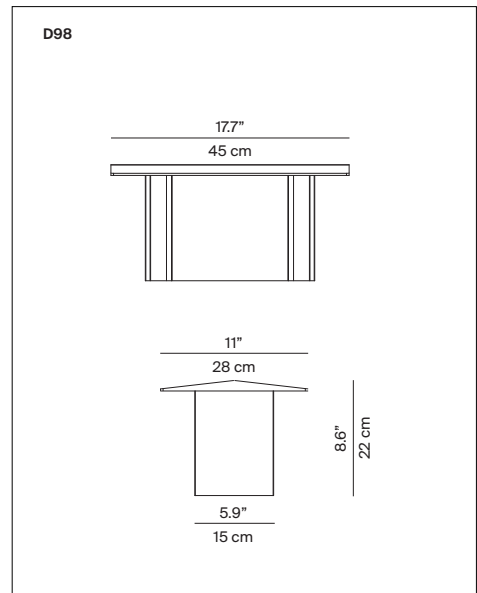
Materials: Anodized aluminium structure and polycarbonate screen

Colors: Rose, Prosecco and Green forest

Description: A work of micro-architecture that projects soft, warm light from above onto a lower surface, giving rise to unusual compositions of brightness and shadow. The light slides along the lateral walls with a wall-washer effect, created by the LED sources with dimmers, by means of a touch function.

Insulation class:   

Reference code: D98=W1 1D980=W10024 Rose
1D980=W10028 Prosecco
1D980=W10036 Forest green



Note

The product is not suitable for damp locations.

