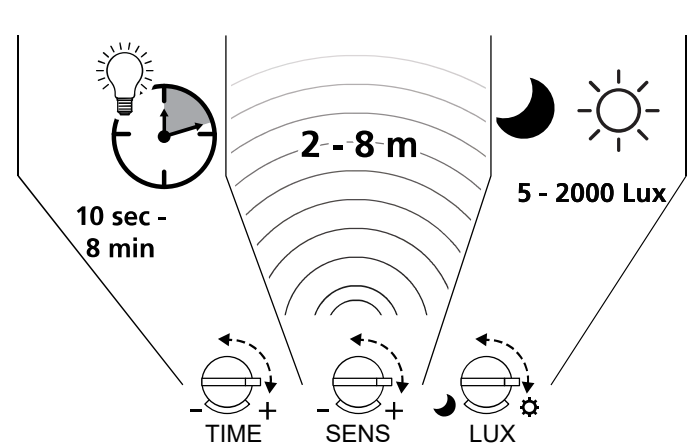
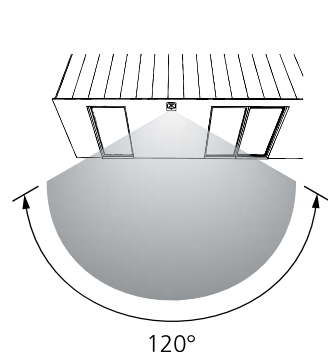
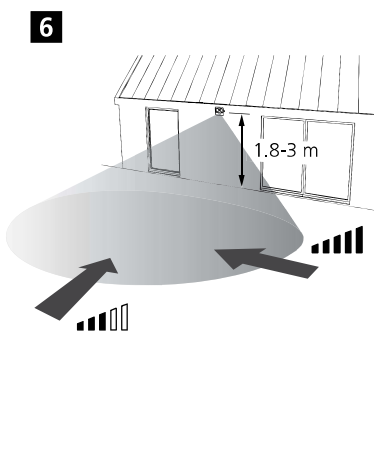
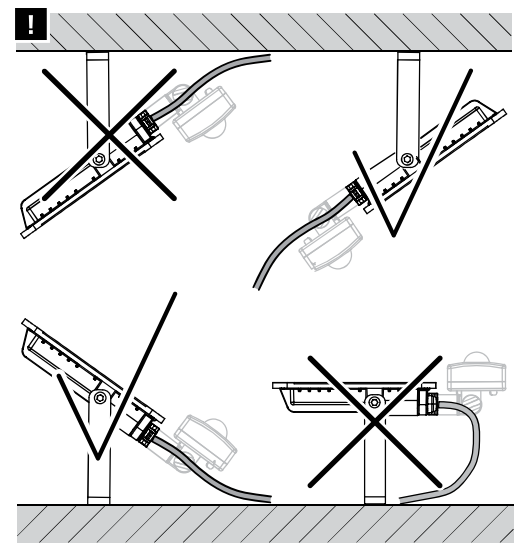
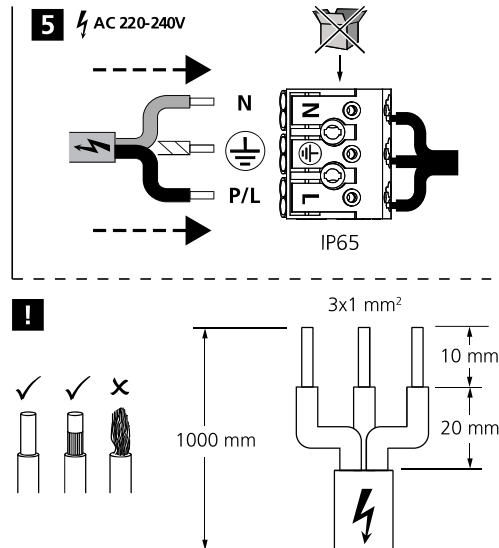
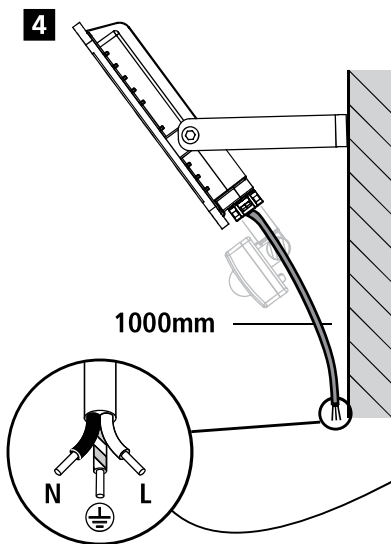
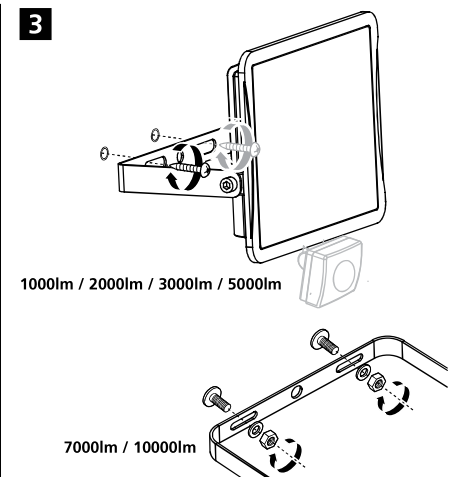
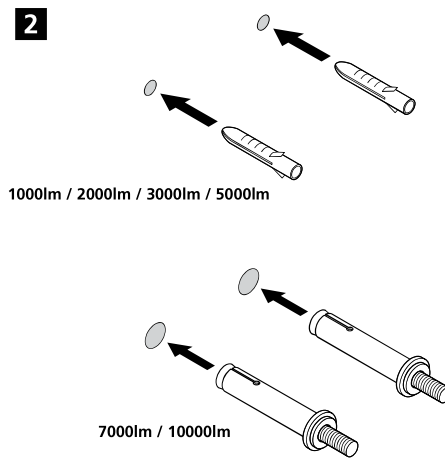
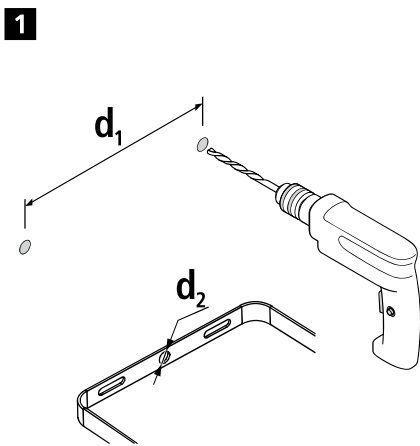
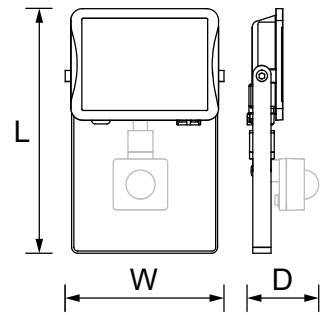
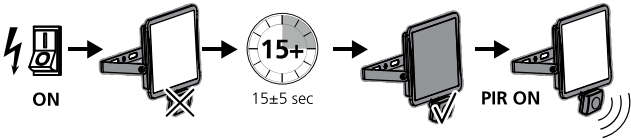
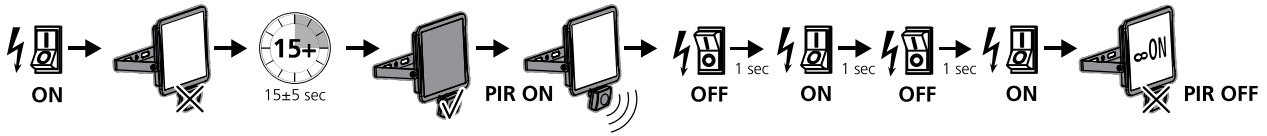


	L x W x D (mm)	P (W)	d <sub>1</sub> (mm)	d <sub>2</sub> (mm)	UK	UK	IP	KG	m <sup>2</sup>
1000 lm	100x108x23	9.5	57	6.5	06	-	65	0.260	0.0071
2000 lm	100x108x23	17	57	6.5	06	-	65	0.260	0.0071
3000 lm	112x125x26	26	57	6.5	06	-	65	0.325	0.0098
5000 lm	122x156x28	42	57	6.5	06	-	65	0.445	0.0168
7000 lm	151x193x30	58	70	8.5	06	-	65	0.665	0.0278
10 000 lm	196x251x33	78	70	8.5	07	-	65	1.135	0.0473
1000 lm PIR	190x125x52	10.5	57	6.5	06	05	65	0.390	0.0119
3000 lm PIR	190x125x52	27	57	6.5	06	05	65	0.393	0.0119
5000 lm PIR	201x156x57	43	57	6.5	06	05	65	0.515	0.0189

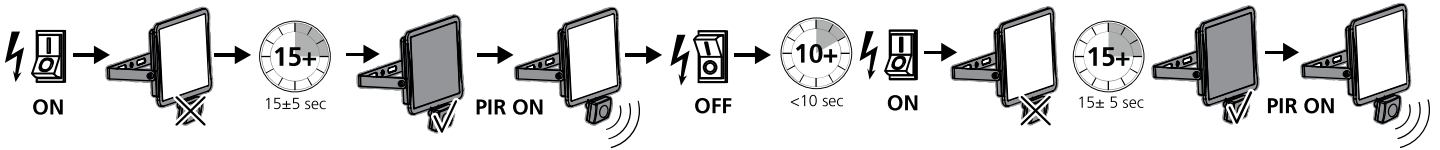




**PIR OFF**



**PIR ON**



**! Z-type**

