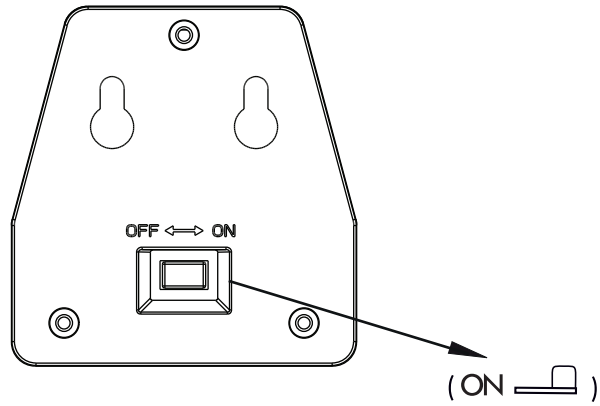


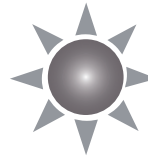
Art.no 481-62


FIRST USE

STEP 1.

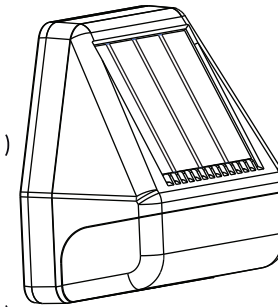


STEP 2.



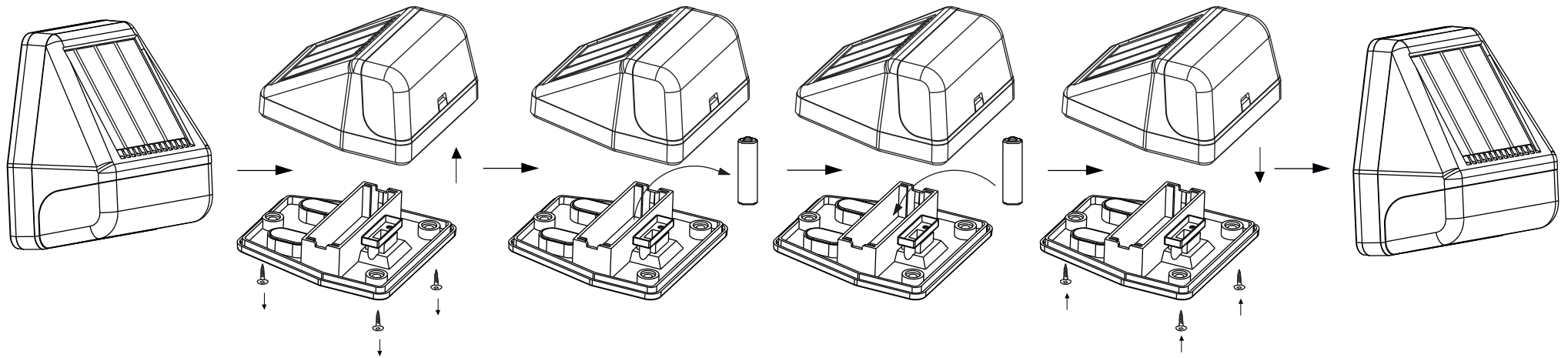
(ON )

(OFF )

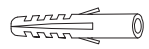


Ready after
36 h in the sun

BATTERY REPLACEMENT



STAR[®]
TRADING
STAR STREET 1
512 50 SVENLJUNGA
SWEDEN
www.startrading.com



x 2



x 2

