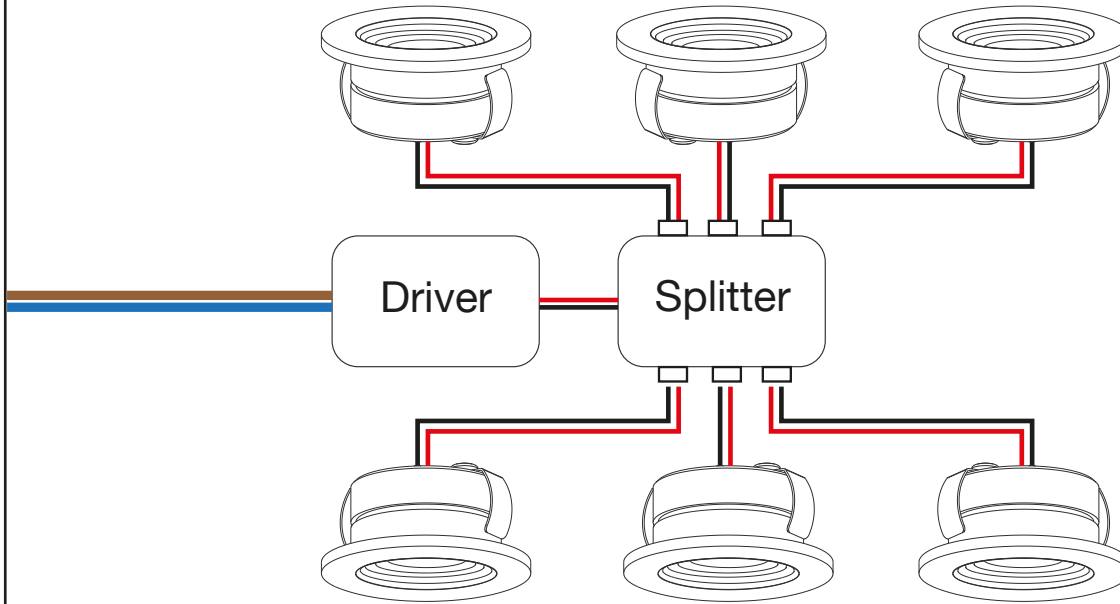




A



B

