

21104, ver. 507000333

Apple and the Apple Logo are trademarks of Apple Inc. Google Play and the Google Play logo are trademarks of Google LLC.

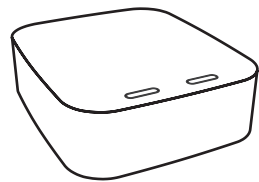


Paulmann

smik Gateway
Quick Guide

Paulmann Licht GmbH | Quezinger Feld 2 | 31832 Springe | Germany

www.paulmann.com



1x



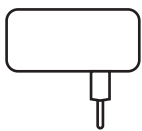
LAN

1x



USB

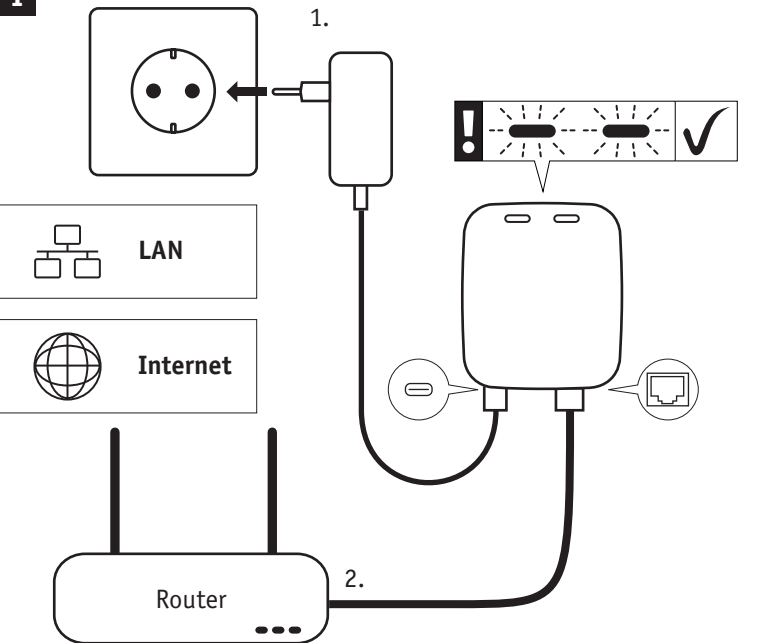
1x



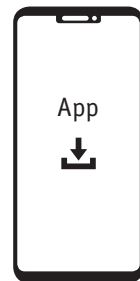
1x

Safety Instructions

1



2



3



4 5 ...



Learn more:
www.paulmann.com/gw