

### Features

- START eco Downlight 5in1 is an integrated LED recessed / surface mounted downlight with built in non dimmable driver. Colour temperature (3000K, 4000K and 6500K) can be adjusted by a 3-way switch located on the back of the fixture. Adaptability to various cut-outs from 65mm to 260mm

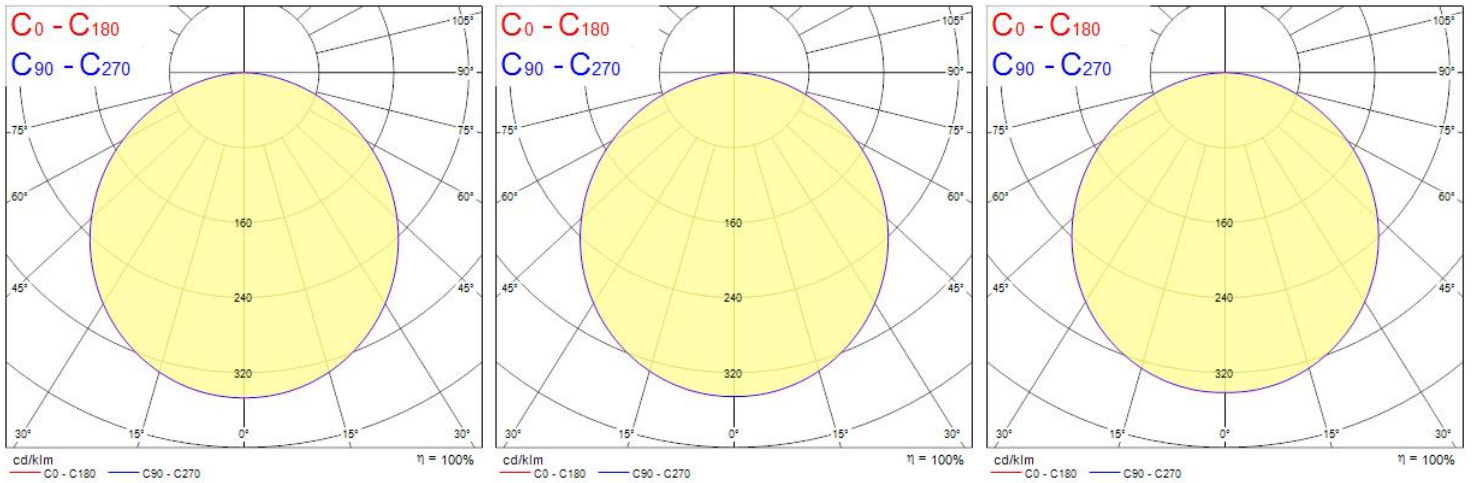
### Product Overview

Product name	START Downlight 5in1 65-260 1800LM
Technology	LED
Cap/Base	N/A
Housing	PC Polycarbonate
Mount	Ceiling recessed mounting, Ceiling surface mounting
General application	Residential & Consumer
ETIM Class	EC001744
Fixture luminous flux (lm)	1800
Luminaire efficacy (lm/W)	100
Colour temperature (K)	4000
Light colour	N/A
CRI (Ra)	80
Colour Variation Initial (SDCM)	6
Beam Angle (°)	110
Photobiological Risk Group	RG0
Total power consumption (W)	18
Electrical protection	Class II
Control gear type	LED driver constant current
Dimmable	No
Housing colour	RAL 9003 - Signal white

## START Downlight 5in1 65-260 1800LM 0053150

IP rating	IP20
IK rating	IK05
Product EAN number	5410288531502
Warranty	3 years

### Photometry



Distance [m]	Cone diameter [m]	Beam angle [°]	E(0°) [lx]	E(C0) [lx]
0.5	1.55	114.2°	2437	195
1.0	3.09	114.2°	609	49
1.5	4.64	114.2°	271	22
2.0	6.18	114.2°	152	12
2.5	7.73	114.2°	97	8
3.0	9.27	114.2°	68	5

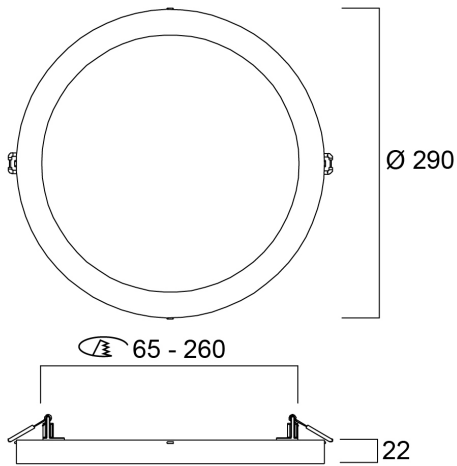
  

Distance [m]	Cone diameter [m]	Beam angle [°]	E(0°) [lx]	E(C0) [lx]
0.5	1.51	113.0°	2462	207
1.0	3.02	113.0°	616	52
1.5	4.53	113.0°	274	23
2.0	6.04	113.0°	154	13
2.5	7.55	113.0°	98	8
3.0	9.07	113.0°	68	5

Distance [m]	Cone diameter [m]	Beam angle [°]	E(0°) [lx]	E(C0) [lx]
0.5	1.52	113.2°	2467	205
1.0	3.03	113.2°	617	52
1.5	4.55	113.2°	274	23
2.0	6.07	113.2°	154	13
2.5	7.58	113.2°	98	8
3.0	9.10	113.2°	69	5

### Technical drawings



### Data table

#### GENERAL DATA

Product name	START Downlight 5in1 65-260 1800LM
Technology	LED
Cap/Base	N/A
Housing	PC Polycarbonate
Mount	Ceiling recessed mounting, Ceiling surface mounting
General application	Residential & Consumer
Operating temperature range (°C)	-20°C - 40°C
ETIM Class	EC001744
Warranty	3 years

#### OPTICAL DATA

Fixture luminous flux (lm)	1800
Luminaire efficacy (lm/W)	100
Colour temperature (K)	4000
Correlated colour temperature range (K)	3000 - 6500

## START Downlight 5in1 65-260 1800LM 0053150

Light colour	N/A
CRI (Ra)	80
Colour Variation Initial (SDCM)	6
Beam Angle (°)	110
Distribution type	Symmetric
Photobiological Risk Group	RG0

### ELECTRICAL DATA

Total power consumption (W)	18
Mains voltage (V)	220-240V~
Lamp power factor	0.7
THD (at 230 V, 50 Hz, full load, at 100% dimming level) ≤ xx.x %	85.0
Electrical protection	Class II
Control gear required	No
Control gear type	LED driver constant current
Dimmable	No
Drive current (mA)	55
Glow Wire Test (°C)	650
Energy Efficiency Class (A->G) of contained light source	E
Nominal Frequency (Hz)	50/60Hz
Max. Luminaires per 16A C Breaker	62
Max. Luminaires per 16A B Breaker	34

### PHYSICAL DATA

Housing colour	RAL 9003 - Signal white
IP rating	IP20
IK rating	IK05
Diffuser finish	Opal
Diffuser material	PC Polycarbonate
Reflector finish	White
Nominal Product Height (mm)	22
Nominal Product Diameter (mm)	290

## START Downlight 5in1 65-260 1800LM 0053150

Weight (kg)	0.633
-------------	-------

### PACKAGING

Single packaging type	Carton
Product EAN number	5410288531502
Packaging single length / height (cm)	30.6
Packaging single width (cm)	4.3
Packaging single depth (cm)	29.8
DUN14 (outer)	15410288531509
Units per outer package	8
Packaging outer length / height (cm)	36.5
Packaging outer width (cm)	32.0
Packaging outer depth (cm)	32.3

### SAFETY DATA

Optimal operating condition (°C)	-20-40
Special purpose lamp	No
Dry applications use only	No
Suitable for household illumination	No