

LUTHIEN

design Monica Armani

**LUCE
PLAN**




| | |
|---------------|--|
| Type: | Wall |
| Light source: | D85A LED module 21W ^(*) 2700K CRI 80 dimmable phase cut EEL: A++ D85AC LED module 21W ^(*) 3000K CRI 80 dimmable phase cut EEL: A++ D85AD LED module 21W ^(*) 2700K CRI 80 dimmable DALI EEL: A++ D85ADC LED module 21W ^(*) 3000K CRI 80 dimmable DALI EEL: A++ |

Product use: Indoor

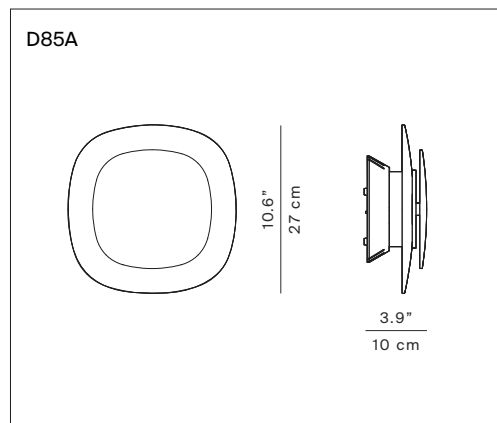
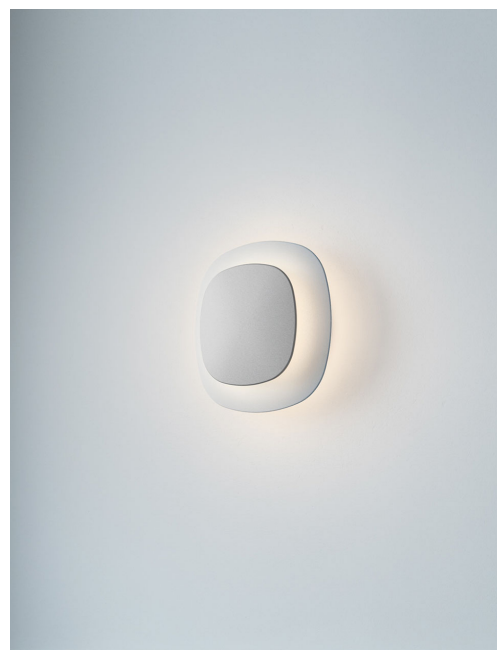
Materials: Aluminium and polycarbonate

Colors: Matt white

Description: A wall lamp with extraordinary decorative character and immediate impact. The structure is the result of the staggered overlaying of two concentric surfaces in technopolymer.

Insulation class:   

Reference code: **D85A** 1D850A000002 bianco
D85AC 1D850A0C0002 bianco
D85AD 1D850AD00002 bianco
D85ADC 1D850ADC0002 bianco



^(*) The LED lamps cannot be changed in the luminaire
Power consumption by device

