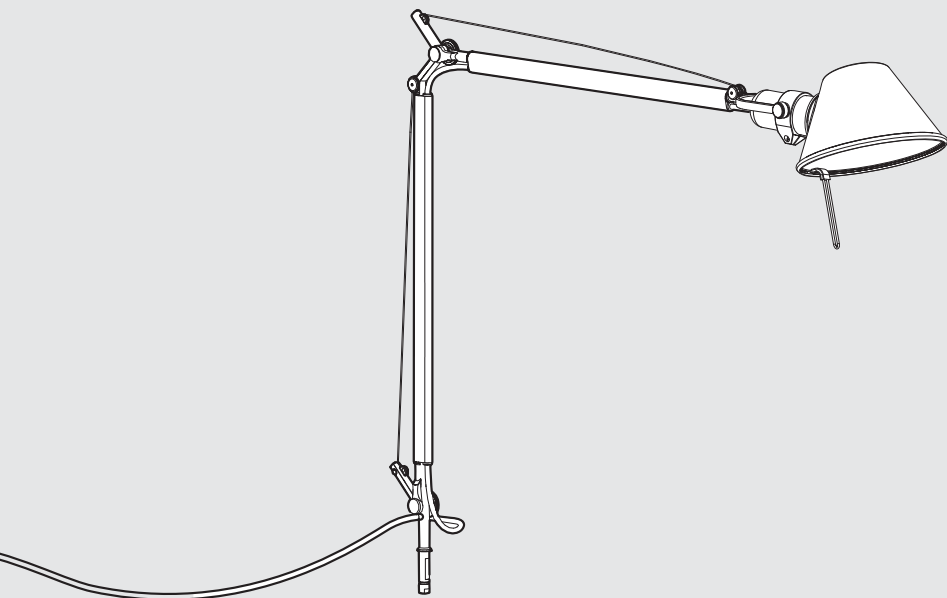


Artemide®

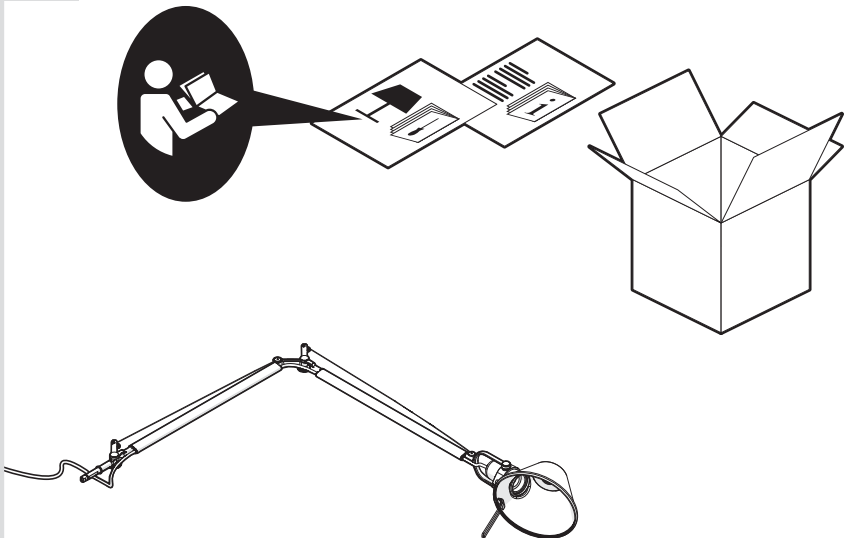
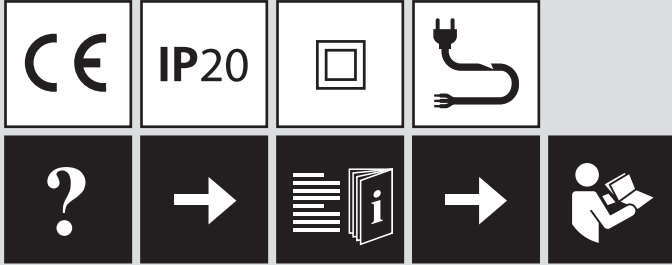
Tolomeo Micro

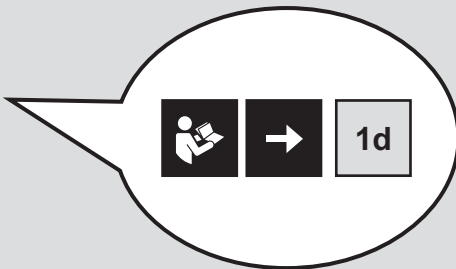
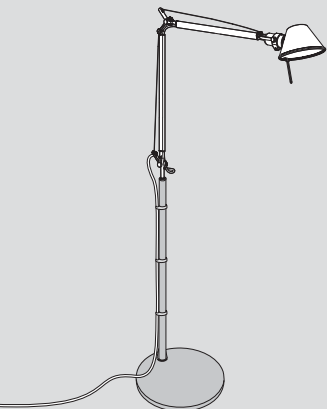
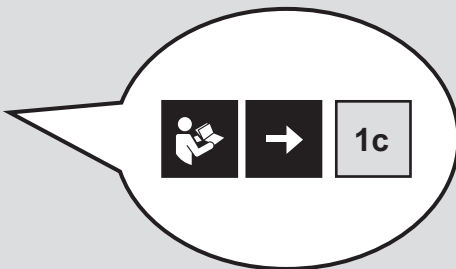
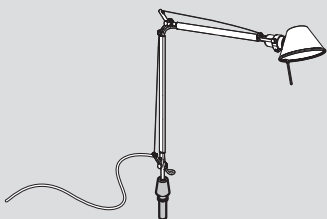
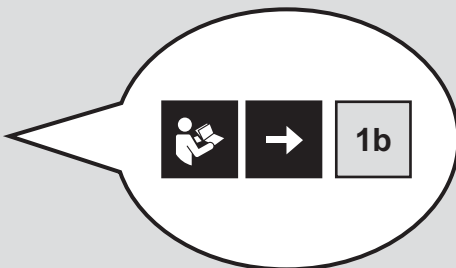
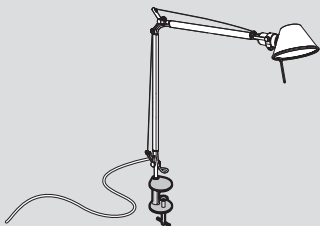
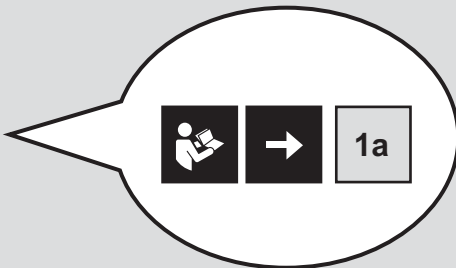
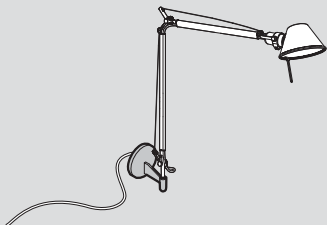
design
M. De Lucchi
G. Fassina



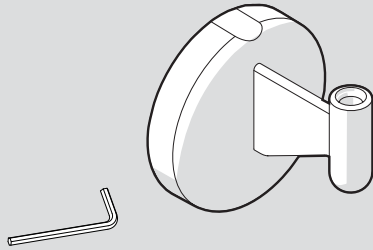


i

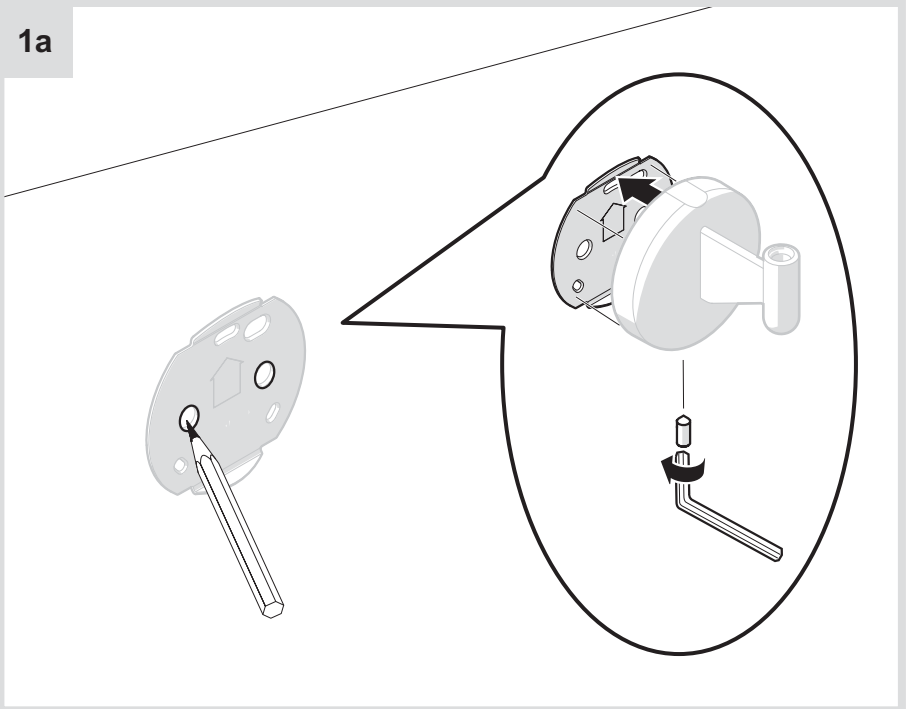




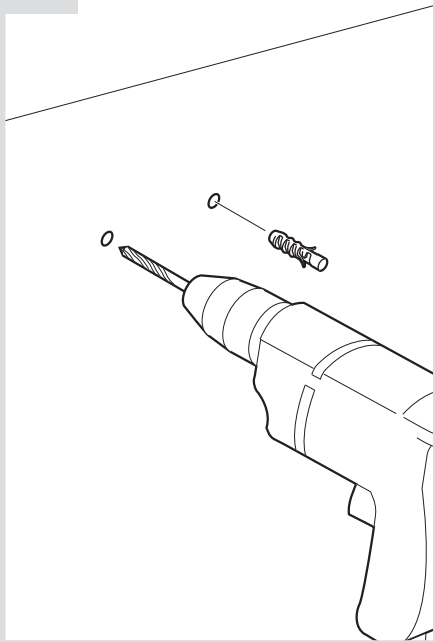
i



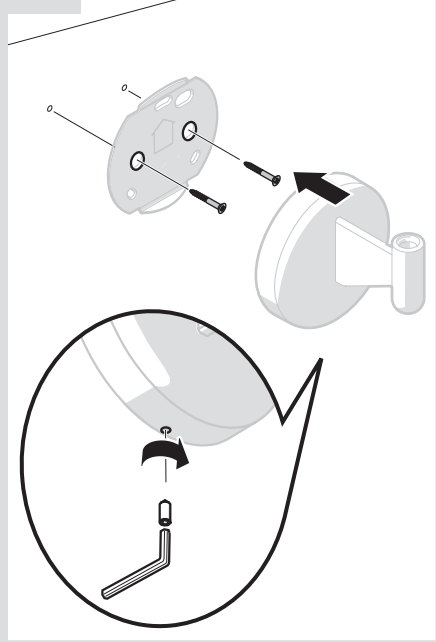
1a



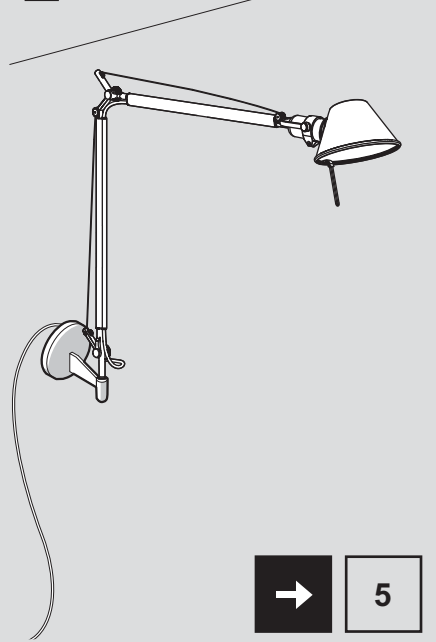
2a



3a

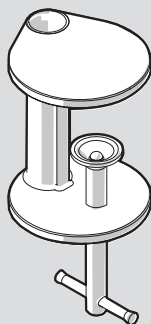


4a

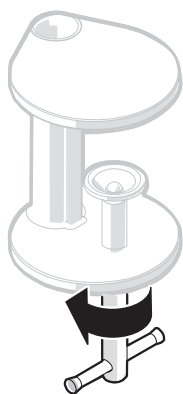


5

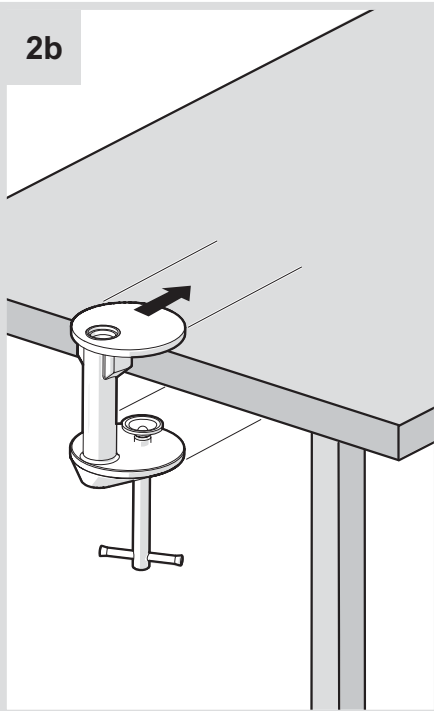
i



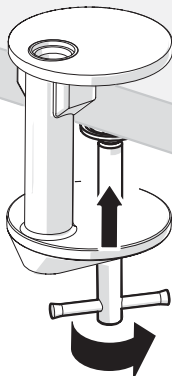
1b



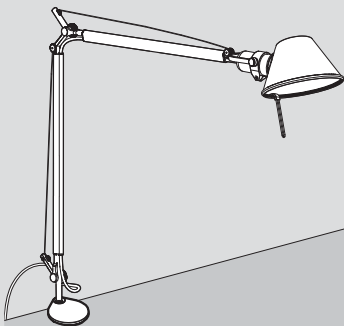
2b



3b

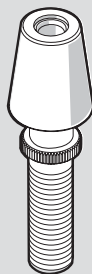


4b

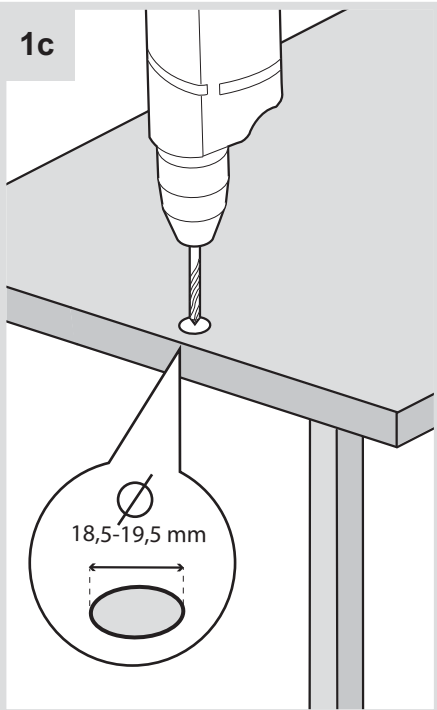


5

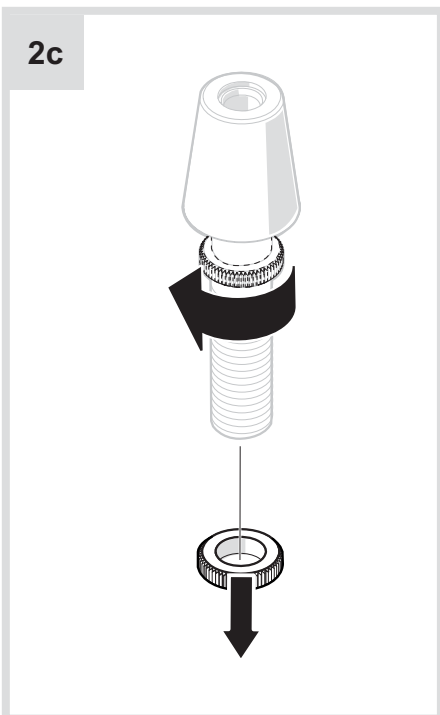
i



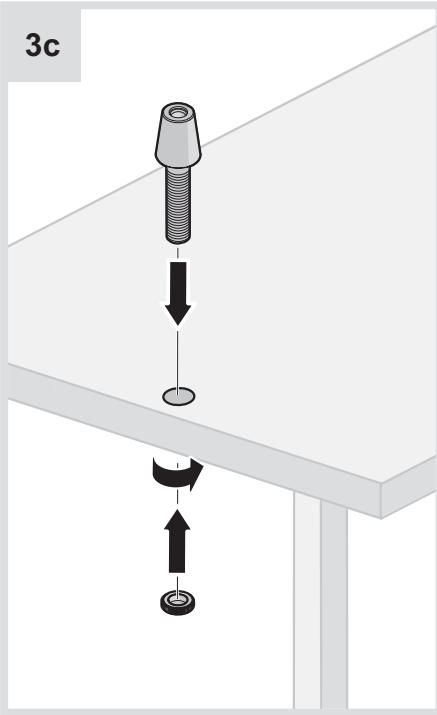
1c



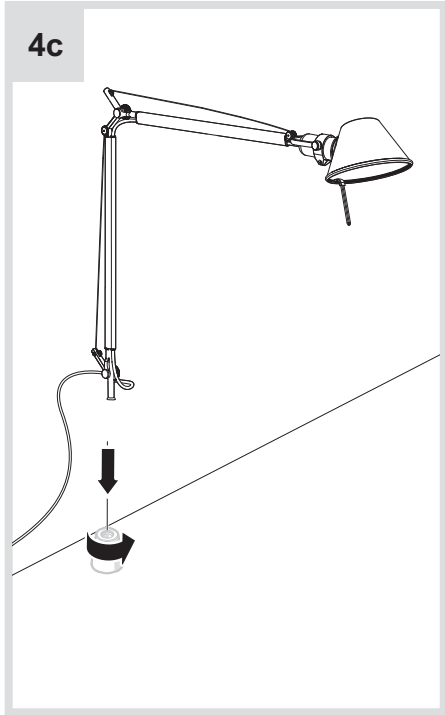
2c



3c

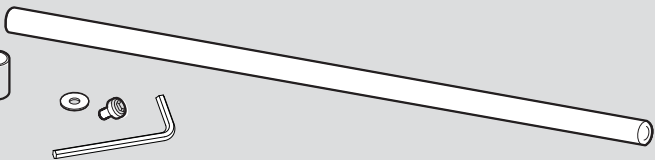
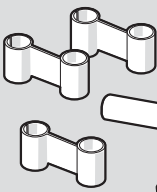
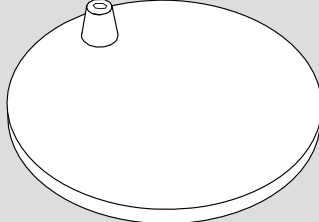


4c

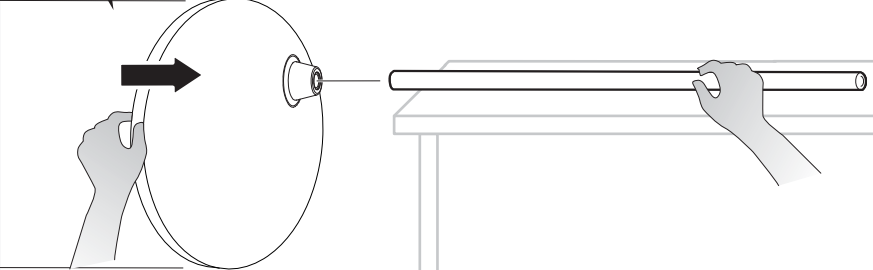
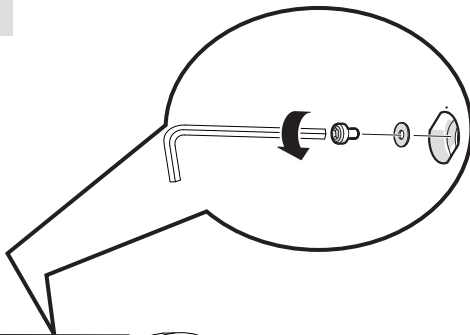


5

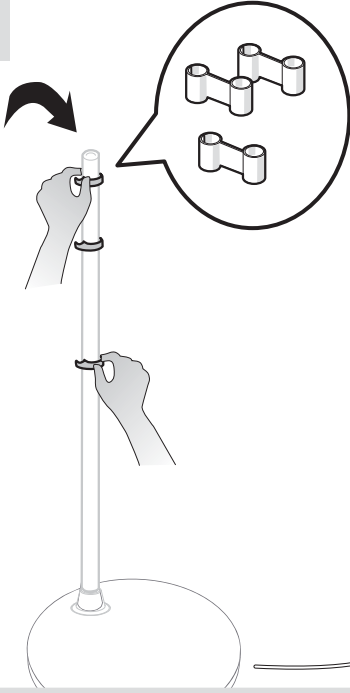
i



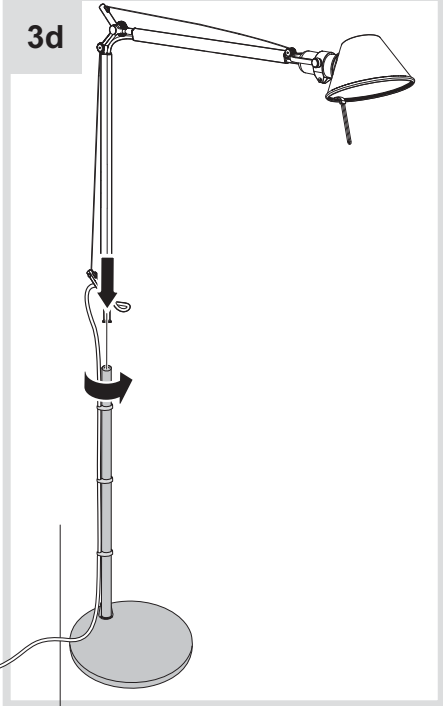
1d



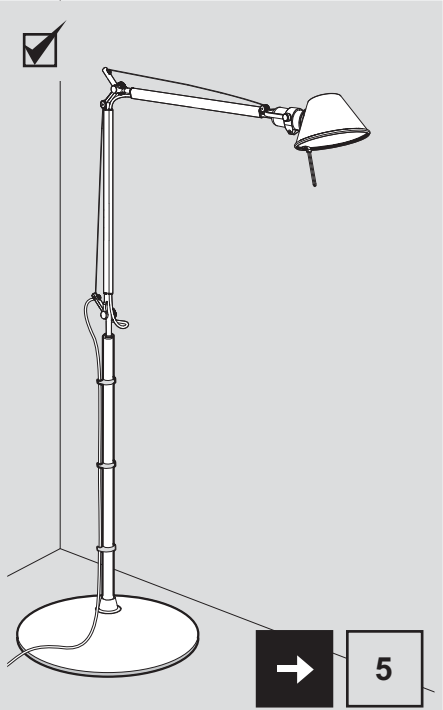
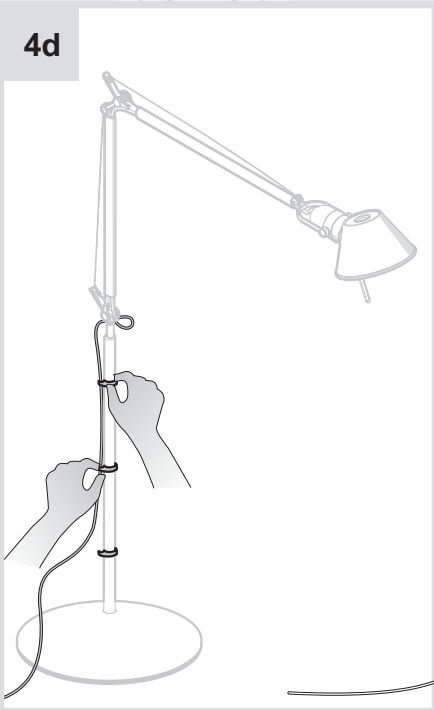
2d



3d



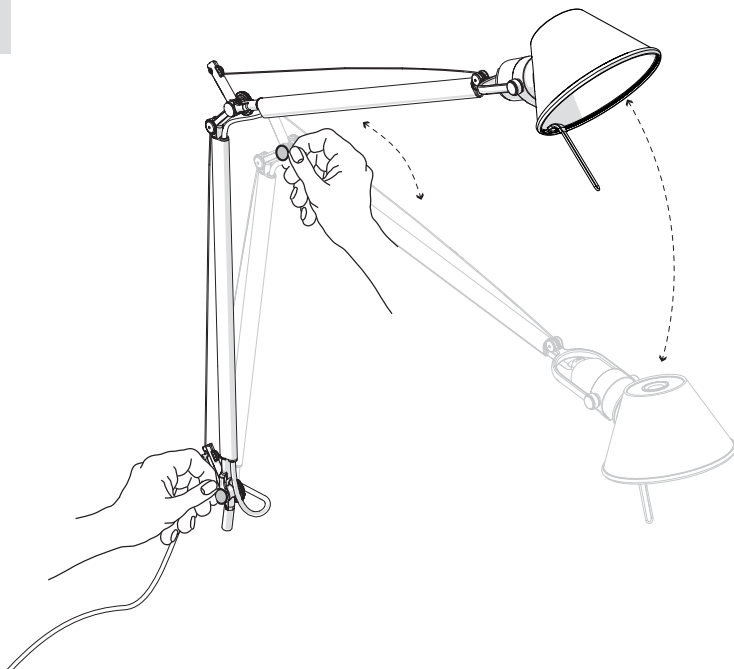
4d



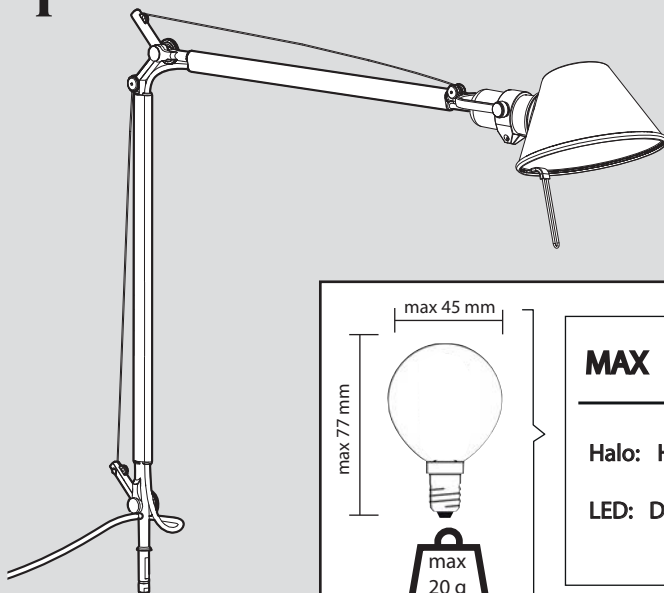
5



5



i

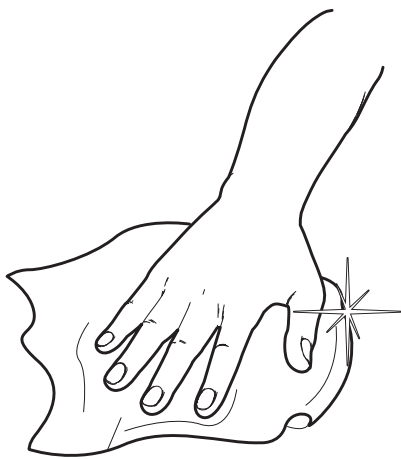
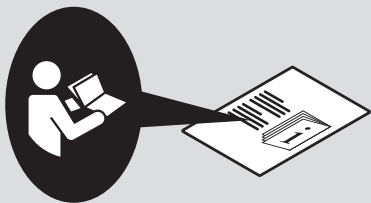


MAX 46W - E14

Halo: HSG - 700 lm

LED: DRBP - 400 lm

i



Artemide®



Artemide

via Bergamo, 18
20010 Pregnana M.se (MI)
ITALIA

tel. +39 02 935 181
fax +39 02 935 90 254
fax +39 02 935 90 496

www.artemide.com

VAT IT00846890150

cod. Y513000597