

HAZEL BRANCH

Designed by Jacob Rudbeck



Pendant lamp



TESTS & CERTIFICATIONS

CE (for indoor use)



DIMENSIONS

W x H x D: 100.2 x 6 x 5.4 cm / 39.4 x 2.4 x 2.1"



MATERIAL

Steel, aluminium and plastic
Incl. 3 m / 9'8" textile cord and metal canopies



WEIGHT INCL. PACKAGING

3.2 kg / 7.1 lb



WARRANTY

10 years warranty against manufacturer defects



LIGHT SOURCE

24W LED panel built-in

Kelvin step 1: 2700K

Kelvin step 2: 3000K

Kelvin step 3: 4000K

Kelvin step 4: 6000K

Lumen step 1: 1150 lumen

Lumen step 2: 900 lumen

Lumen step 3: 550 lumen

Lumen step 4: 300 lumen

CRI: 93. ≥ 25000 H



PACKAGING DIMENSIONS (L x W x H)

10.5 x 131.2 x 11.4 cm / 4.1 x 51.7 x 4.5"



MEDIA KIT

Photos and press material

Download at umage.presscloud.com



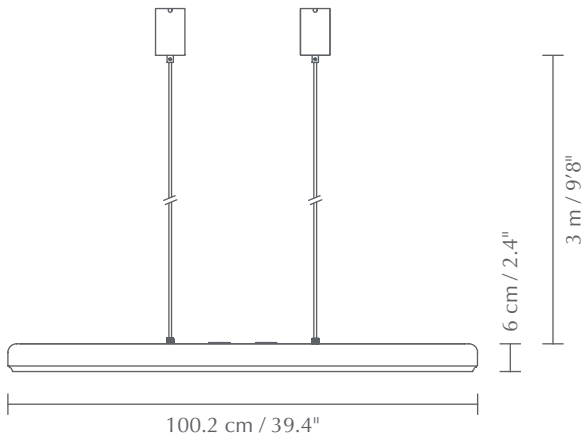
ORDERING INFORMATION

Hazel Branch black

#2448

Hazel Branch white

#2454



Colour variations



black
(RAL: 9005)

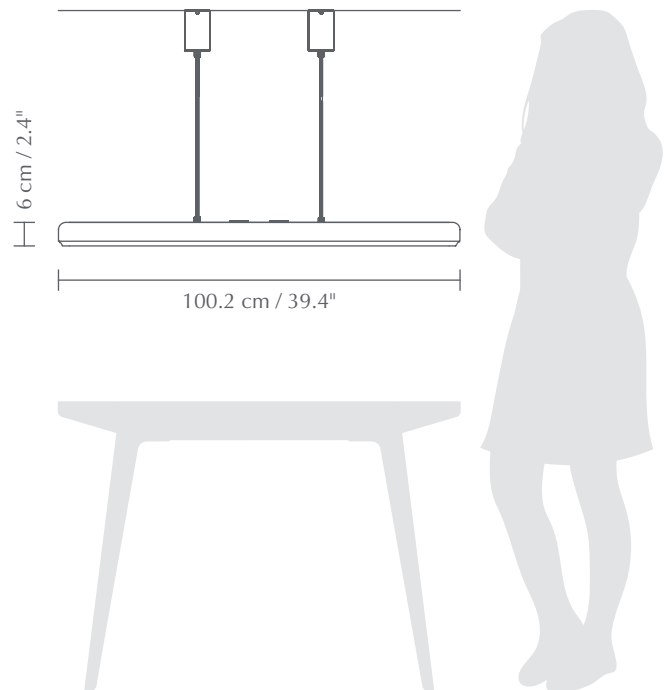


white
(RAL: 9003)



HAZEL BRANCH

Designed by Jacob Rudbeck



The specifications and dimensions are subject to change without notice. Document date: 25-08-2022 | info@umage.com | umage.com
Havnegade 29, DK-1058 Copenhagen K | +45 31 39 31 31 (tel) & 185 Wythe Ave 2FL, Brooklyn, NY 11249 | +1 646-790-7171 (tel)