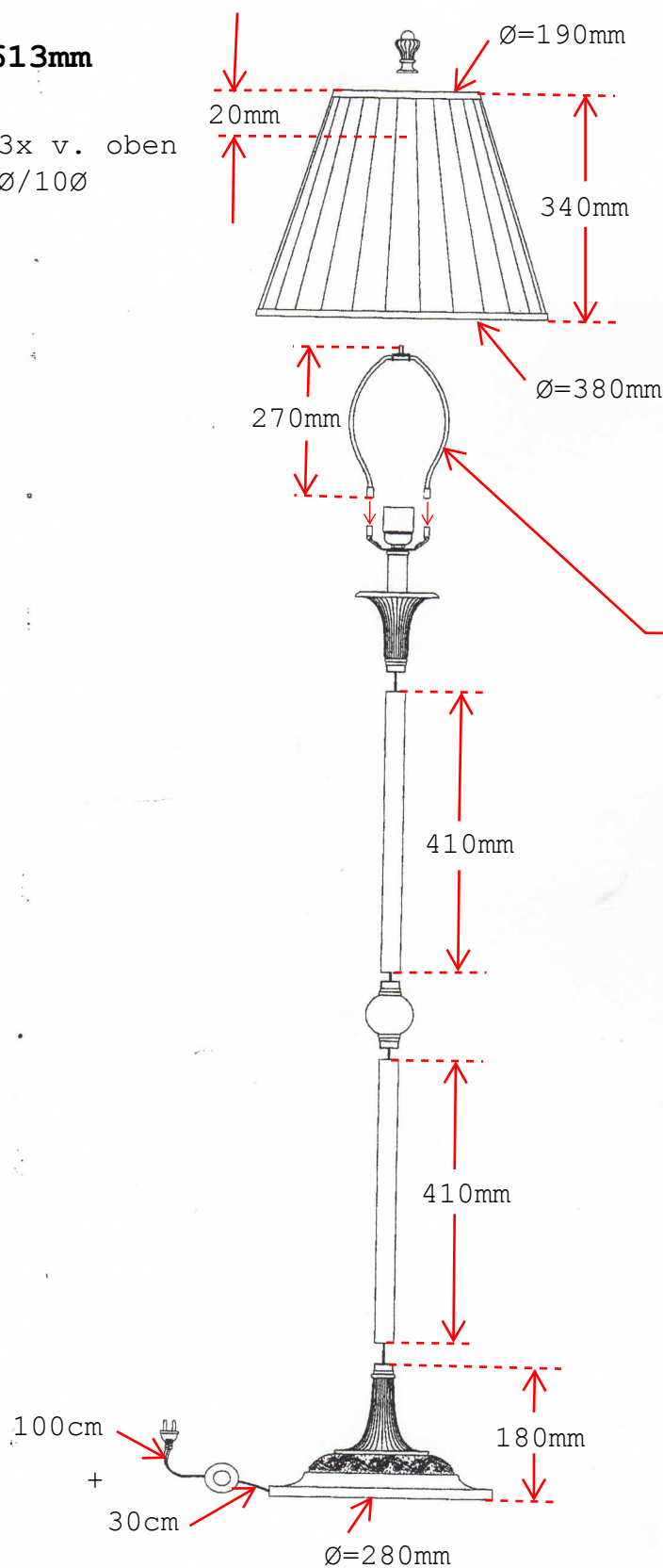


Installation/Montageanweisungen

STL 12-1090/1 Antik-gold

TOTAL H=1613mm

Strebe 3x v. oben
Ring 25Ø/10Ø



Attention !!
This bow is packed
on the bottom-side
of the styrofoam !!