


INSTALLATION GUIDE EN

The installation may require a qualified person.

The product can be used outdoors when the symbol on the luminaire is IP44 or IP54. In other cases, the product should only be used indoors. A luminaire using wooden elements may only be installed in heated rooms.

Installation:


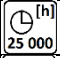
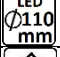



1. Disconnect the power plug.
2. Unscrew the socket counterclockwise from the housing. Illustration 1.
3. Remove the 6 mm long power cables and guide them with the grommet through the metal base.
3. Screw the base to the floor with the screws selected according to the instructions.
4. Connect the power cords to the corresponding marked terminals of the terminal - phase conductor (L) brown and neutral conductor (N) blue. Figure 2.
5. Connect a grounded power cord (usually green-yellow) to the protection terminal marked with the symbol  on the metal base. Figure 2.
6. Place the glass with the matte side down into the edge, as shown in Figure 3.
7. Turn the rim clockwise (Fig. 4).

The light source used in this lamp may only be replaced by the manufacturer or his service agent or a similarly qualified person.

Maintenance:

Maintenance should be carried out with the power disconnected and after waiting for the cooling of the LED panel.

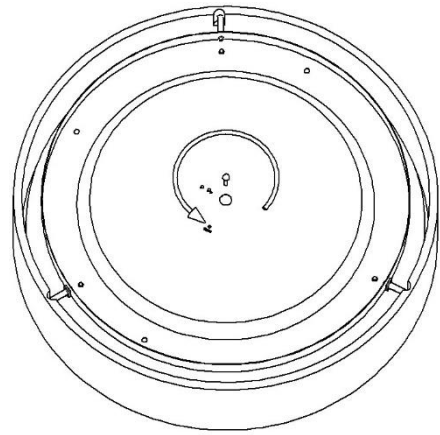
After disassembling and disconnecting the power supply, clean the lampshade with a soft cloth.

	- selective collection of electrical equipment	24W LED	- light source power
	- work time	4000K	- light colour
	- dimensions of the light source	5000h	- number of turn off cycles
	- fitting for mounting inside	<0,1s	- negligible heating time
	- fitting adapted for dimming	2100 Lm	- luminous flux
	- caution, risk of electric shock		

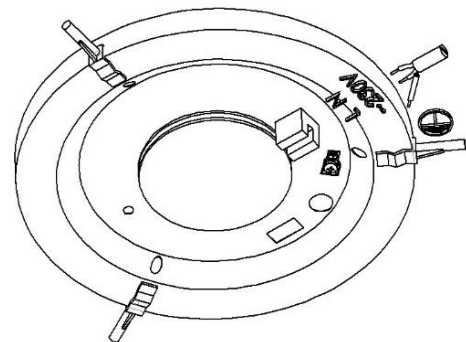
2-year warranty:

1. The warranty covers the period of 2 years from the date of purchase in Poland and is valid only with the purchase document - receipt or invoice.
2. The warranty does not cover damage resulting from electrical surges, lightning strikes and mechanical damage.
3. Warranty is valid only if the fitting has been made by a person with appropriate electrical rights and includes the repair or replacement of the product for one free of defects or a refund of the amount paid.
4. If a defect is found, the product should be sent to: Temar sp. O.o., 39-300 Mielec, ul. Investors 12 or return at the point of purchase. The repair should not take longer than 14 business days.
5. The warranty does not exclude, limit or suspend the rights of the buyer under the provisions of the warranty for defects in the item sold.

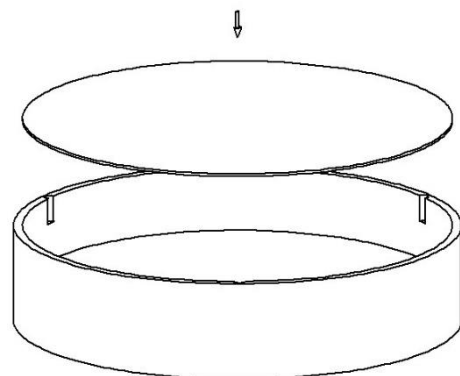
1



2



3



4

