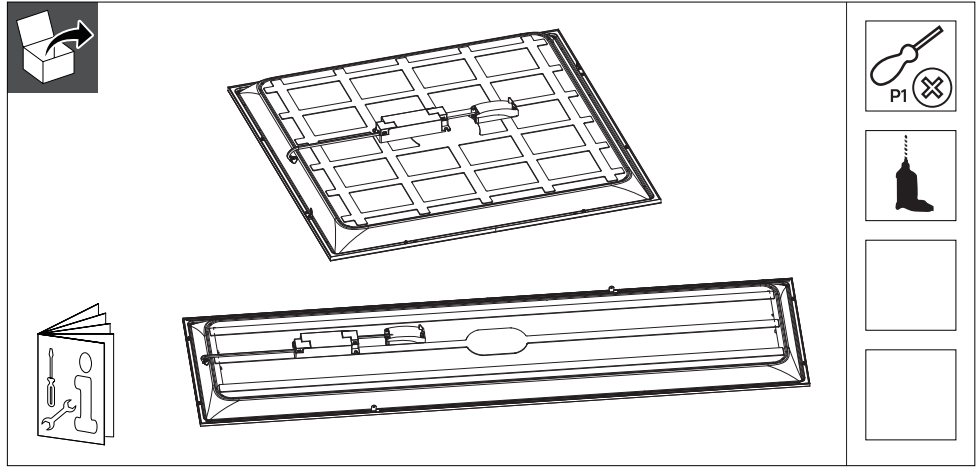


# PHILIPS

## Projectline

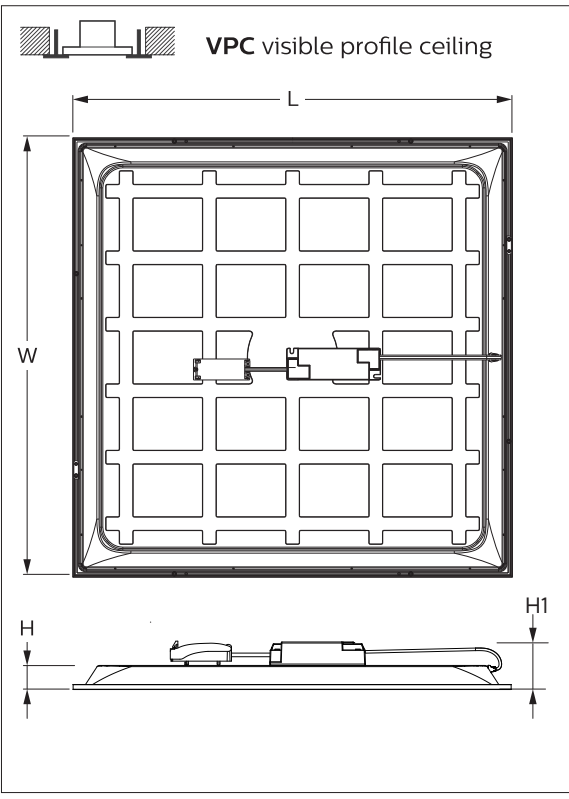
### Panel



		Energy efficiency						
		Lumen (lm)	CCT (K)	P(W)	class of light source	L xW xH (mm)	Hl(mm)	
Projectline Panel 6060	3200lm 4000K NOC	3200	4000	36	E	595x595x34	64	1.8
Projectline Panel 6060	3200lm 4000K OC	3200	4000	36	E	595x595x35	65	2.0
Projectline Panel 6262	3200lm 4000K OC	3200	4000	36	E	620x620x35	65	2.4
Projectline Panel 30120	3200lm 4000K NOC	3200	4000	34	E	1195x295x34	64	1.8
Projectline Panel 30120	3200lm 4000K OC	3200	4000	34	E	1195x295x35	65	2.1

**Available as accessory**

<p>Suspension set: RC007Z SME-2 911401824280</p>	<p>Surface mounted set: 911401862982 Panel SMB W30L120 911401863082 Panel SMB W62L62 911401873482</p>	<p>Plaster set: RC007Z SMB-PLC 911401824180</p>	<p>Safety cable: RC065Z SC 911401892680</p>
--	---	---	---



The luminaire shall, under no circumstance, be covered with thermal insulation matting or similar material.

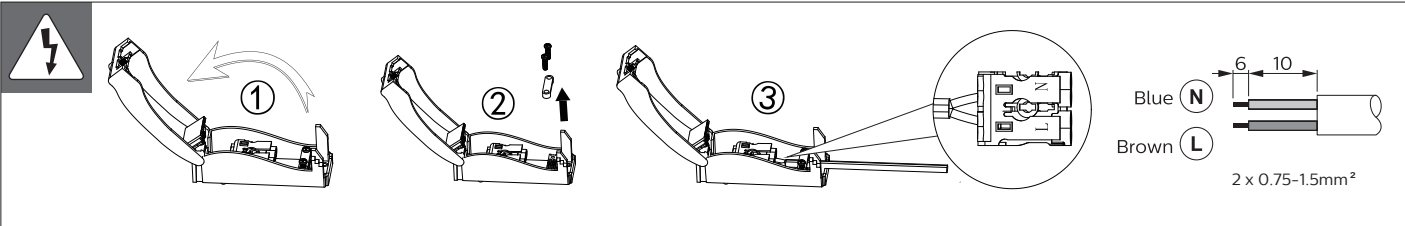
If the external flexible cable or cord of this luminaire is damaged, it shall be exclusively replaced by the manufacturer or his service agent or a similar qualified person in order to avoid a hazard.

The light source contained in this luminaire shall only be replaced by the manufacturer or his service agent or a similar qualified person.

Luminaire must not be used or stored in corrosive environment where hazardous materials such as sulphur, chlorine, phthalates, etc, are present.

**Inrush current**

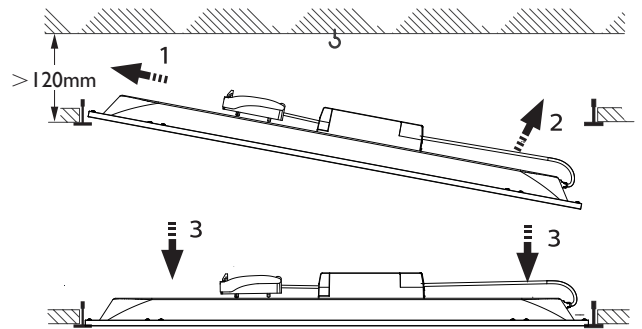
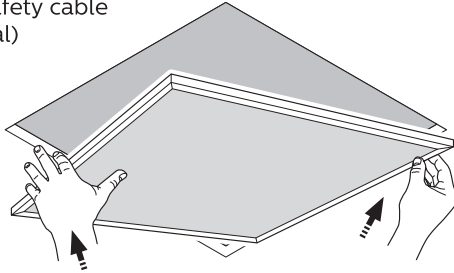
Electrical characteristics	
I <sub>max</sub> (A)	15
T <sub>ref</sub> (µs)	200
MCB	Luminaires Max.
B-10 A	22
B-13 A	29
B-16 A	35
C-10 A	36
C-13 A	47
C-16 A	59



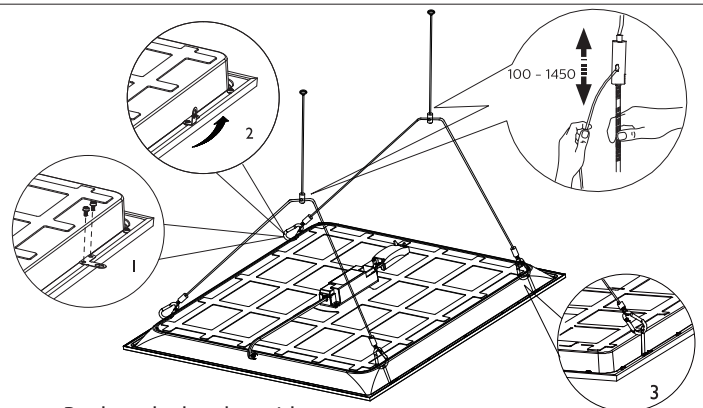
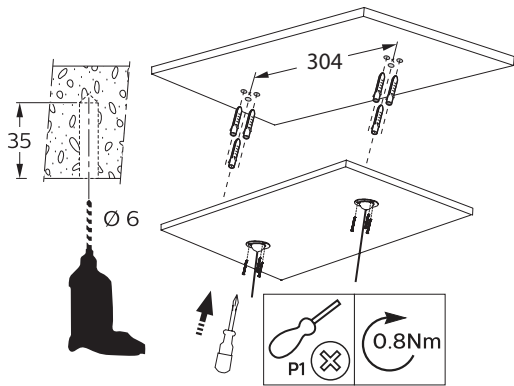
**A Visible Profile Ceiling mounting(VPC)**



Install safety cable (Optional)



**B Suspension mounting (SUS)**

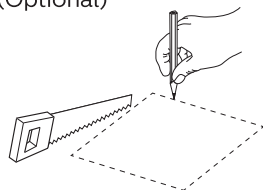


Replace the bracket with the bracket in the suspension set.

**C Plaster Ceiling Version mounting (PCV)**

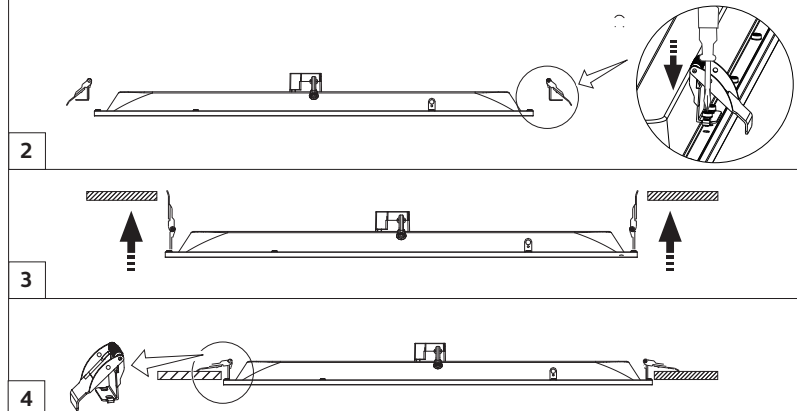


Install safety cable (Optional)

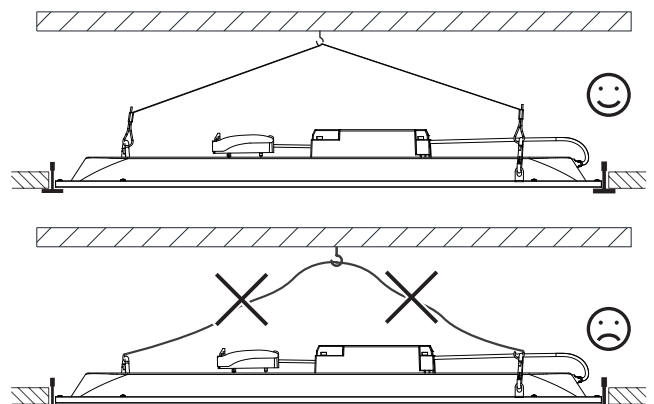
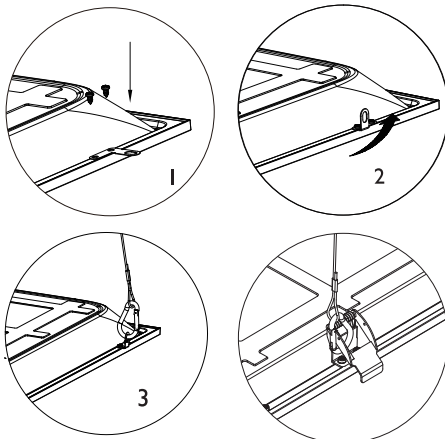


Cutout size  
 W62L62 : 580x580 (+/-2)  
 W60L60 : 580x580 (+/-2)  
 W30L120 : 280x1180 (+/-2)

8 - 16 mm



**D Safety cable**



safety cable included in the box.(except W62L62)