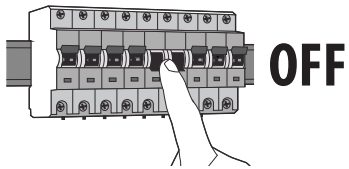


ABERDEEN

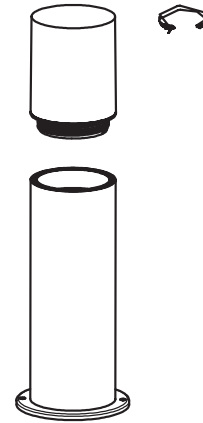
96422...



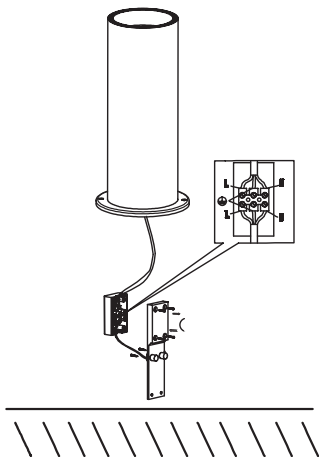
①



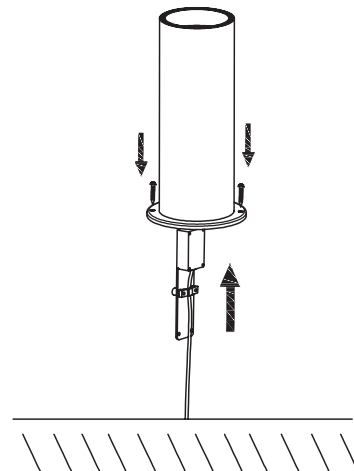
②



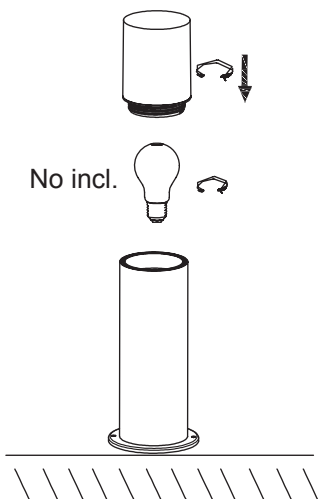
③



④



⑤



⑥

