

## Technical documentation

### Product information

**Art. No:** 5905

**Product name:** Wall Lamp/Ceiling Lamp Torrano 13 IP44

**Material:** Marble/Travertine, Glass

**Gross Weight:** 1pc/1,8kgs

**Environment:** Indoor

**Cable:** N/A

**Classification:** Class I IP44 Max 8W

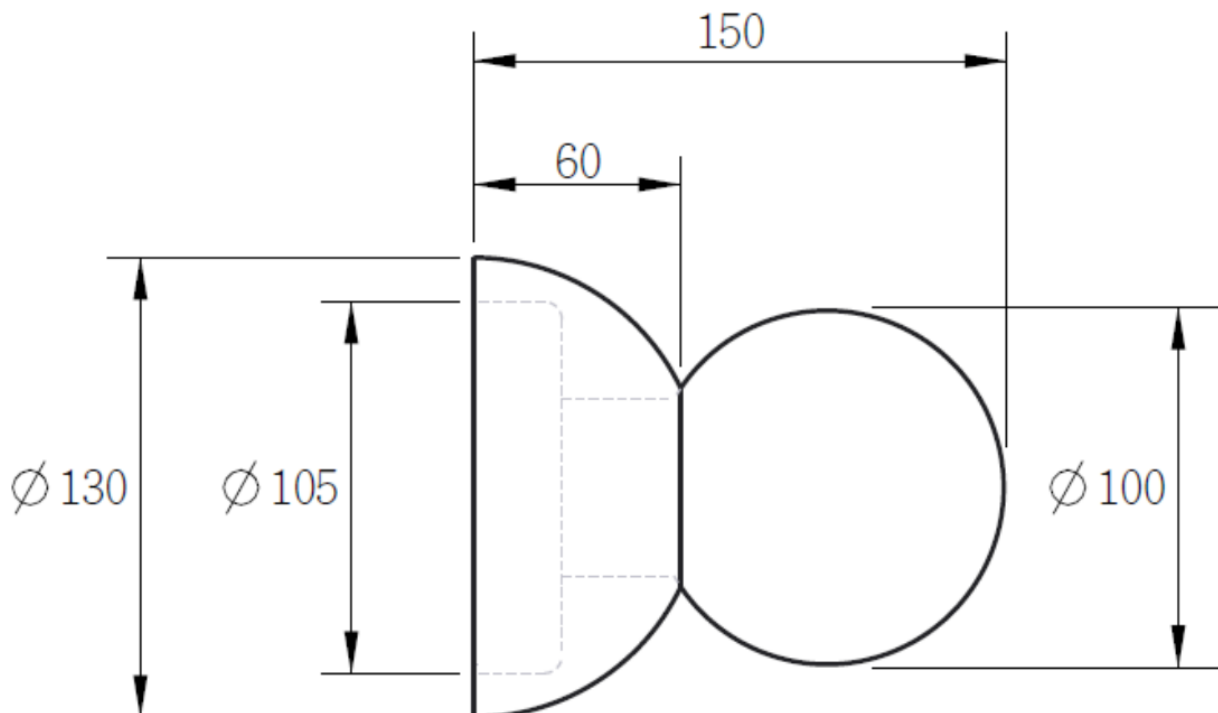
**Voltage:** 220-240V 50-60Hz

**Light source:** 1xG9 Max 8W

**Country of origin:** China



### Dimensions



## Technical documentation

### Components

parts	Technical Specification	Note
Power supply cord	2*0.75mm <sup>2</sup> 300/300V 60227	
lampholder	250V 2A 250°C	G9