



WEVER & DUCRÉ
LIGHTING

DEEP 1.0 LED

112161B9

Project

Type

Notes

Quantity

Date

GENERAL

Ceiling

Recessed

Jet Black

IP20

Interior

305^a to 415^b lm

9005^c

LED

1800 K - 2850 K

CRI 95

L80 / 50000 h

4-step binning

OPTICAL

Flood

Flood

Beam angle 36°

PHYSICAL

Diameter 84 mm

Height 85 mm

0.31 kg

Standard Springs

ELECTRICAL

excl. power supply

16 V

Total connected power 6.8^a to 9.9^b W

LED Inset 5.1^a to 7.4^b W

350^a to 500^b mA

PC3

Safety distance 0.3 m

CUTOUT

Diameter 76-79 mm

Min. ceiling thickness 4 mm

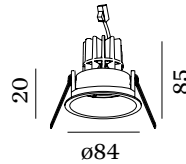
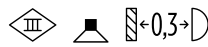
Max. ceiling thickness 27 mm

Recessed depth 90 mm

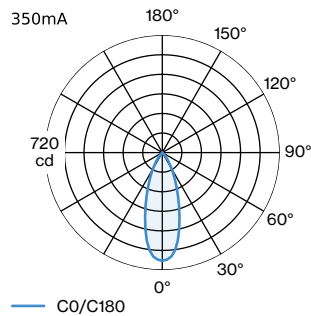
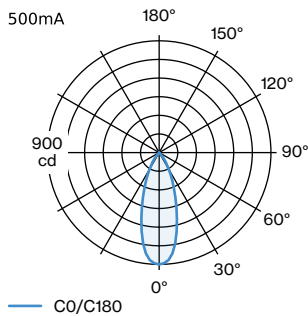
^a 350mA

^b 500mA

^c RAL Palette colors may deviate slightly due to production conditions.



LIGHT DISTRIBUTION





WEVER & DUCRÉ
LIGHTING

DEEP 1.0 LED

112161B9

CONE DIAGRAM

flood 36° 500mA			flood 36° 350mA		
h (m)	EO° (lx)	ø (m)	h (m)	EO° (lx)	ø (m)
1	900	0.65	1	663	0.65
2	225	1.29	2	166	1.29
3	100	1.94	3	73	1.94
4	56	2.58	4	41	2.58
5	36	3.23	5	26	3.23

ELECTRICAL

Power Supply 500mA

TYPE	L · W · H (MM)	VOLTAGE	ORDERCODE
10W 11-20V	101.5-51-29.2	11 - 20V	9 0 2 1 4 4 0 5
15W 13.5-30V phase-cut dim 5-100%	102-51-30	13.5 - 30V	9 0 2 2 4 5 0 1
10W 10-20V 1-10V dim	100-43-22.5	11 - 20V	9 0 2 3 4 4 0 1
20W 5-40V DALI 0-100%	111-52-22	5-40V	9 0 2 4 4 6 0 2

Power Supply 350mA

TYPE	L · W · H (MM)	VOLTAGE	ORDERCODE
10W 14-28V 1-10V dim	101.5-51-29.5	14 - 28V	9 0 2 2 3 4 0 1
10W 12-28V phase-cut dim	102-38-21	12 - 28V	9 0 2 2 3 4 0 2