

Features

- START Downlight 5in1 is an integrated LED recessed / surface mounted downlight with built in non dimmable driver. Colour temperature (3000K, 4000K and 6500K) can be adjusted by a 3-way switch located on the back of the fixture. Adaptability to various cut-outs from 65mm to 185mm

Product Overview

Product name	START Downlight 5in1 65-185 1750LM
Technology	LED
Cap/Base	N/A
Housing	PC Polycarbonate
Mount	Ceiling recessed mounting, Ceiling surface mounting
General application	Residential & Consumer
ETIM Class	EC001744
Fixture luminous flux (lm)	1750
Luminaire efficacy (lm/W)	97
Colour temperature (K)	4000
Light colour	N/A
CRI (Ra)	80
Colour Variation Initial (SDCM)	6
Beam Angle (°)	110
Photobiological Risk Group	RG0
Total power consumption (W)	18
Electrical protection	Class II
Control gear type	LED driver constant current
Dimmable	No
Housing colour	RAL 9003 - Signal white

START Downlight 5in1 65-185 1750LM 0053149

IP rating

IP20

IK rating

IK05

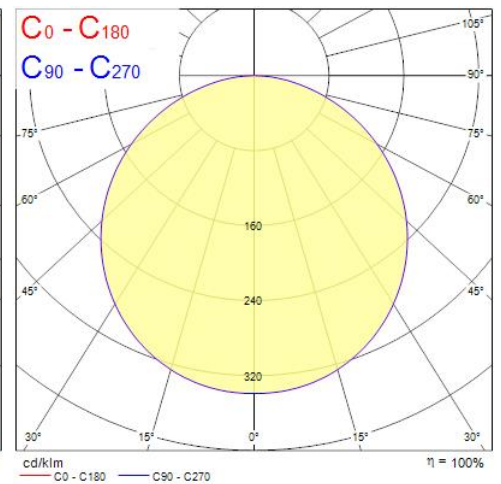
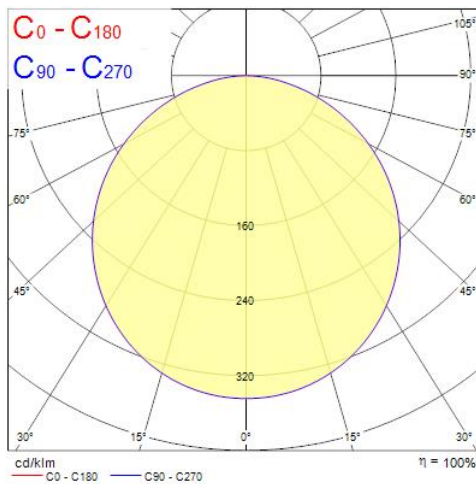
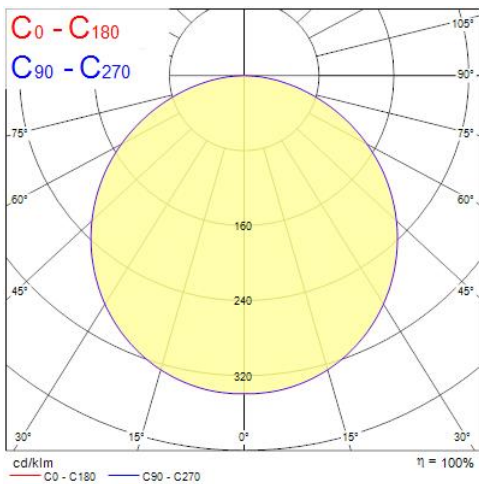
Product EAN number

5410288531496

Warranty

3 years

Photometry



Distance [m]	Cone diameter [m]	Beam diameter [mm]	E(0°) [lx]	E(C0) [lx]
0.5	1.53	160	2387	195
1.0	3.06	320	592	49
1.5	4.58	480	253	22
2.0	6.11	640	148	12
2.5	7.64	800	95	8
3.0	9.17	960	66	5

Distance [m] Cone diameter [m] Illuminance [lx]
C0 - C180 (Half beam angle: 113.6°)

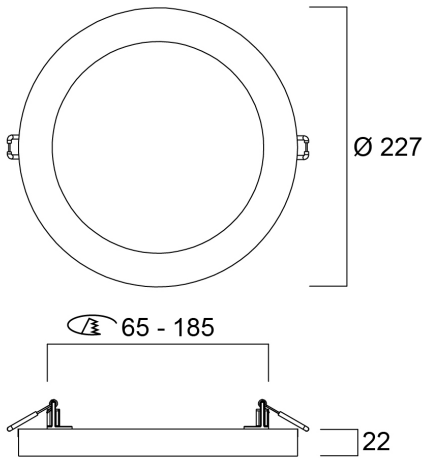
Distance [m]	Cone diameter [m]	Beam diameter [mm]	E(0°) [lx]	E(C0) [lx]
0.5	1.56	160	2270	179
1.0	3.12	320	567	45
1.5	4.67	480	252	20
2.0	6.23	640	142	11
2.5	7.79	800	91	7
3.0	9.35	960	63	5

Distance [m] Cone diameter [m] Illuminance [lx]
C0 - C180 (Half beam angle: 114.6°)

Distance [m]	Cone diameter [m]	Beam diameter [mm]	E(0°) [lx]	E(C0) [lx]
0.5	1.56	160	2287	177
1.0	3.13	320	567	44
1.5	4.69	480	252	20
2.0	6.25	640	142	11
2.5	7.82	800	91	7
3.0	9.38	960	63	5

Distance [m] Cone diameter [m] Illuminance [lx]
C0 - C180 (Half beam angle: 114.8°)

Technical drawings



Data table

GENERAL DATA

Product name	START Downlight 5in1 65-185 1750LM
Technology	LED
Cap/Base	N/A
Housing	PC Polycarbonate
Mount	Ceiling recessed mounting, Ceiling surface mounting
General application	Residential & Consumer
Operating temperature range (°C)	-20°C - 40°C
ETIM Class	EC001744
Warranty	3 years

OPTICAL DATA

Fixture luminous flux (lm)	1750
Luminaire efficacy (lm/W)	97
Colour temperature (K)	4000
Correlated colour temperature range (K)	3000 - 6500

START Downlight 5in1 65-185 1750LM 0053149

Light colour	N/A
CRI (Ra)	80
Colour Variation Initial (SDCM)	6
Beam Angle (°)	110
Distribution type	Symmetric
Photobiological Risk Group	RG0

ELECTRICAL DATA

Total power consumption (W)	18
Mains voltage (V)	220-240V~
Lamp power factor	0.7
THD (at 230 V, 50 Hz, full load, at 100% dimming level) ≤ xx.x %	85.0
Electrical protection	Class II
Control gear required	No
Control gear type	LED driver constant current
Dimmable	No
Drive current (mA)	55
Glow Wire Test (°C)	650
Energy Efficiency Class (A->G) of contained light source	E
Nominal Frequency (Hz)	50/60Hz
Max. Luminaires per 16A C Breaker	62
Max. Luminaires per 16A B Breaker	34

PHYSICAL DATA

Housing colour	RAL 9003 - Signal white
IP rating	IP20
IK rating	IK05
Diffuser finish	Opal
Diffuser material	PC Polycarbonate
Reflector finish	White
Nominal Product Height (mm)	22
Nominal Product Diameter (mm)	217

START Downlight 5in1 65-185 1750LM 0053149

Weight (kg)	0.413
-------------	-------

PACKAGING

Single packaging type	Carton
Product EAN number	5410288531496
Packaging single length / height (cm)	23.7
Packaging single width (cm)	4.3
Packaging single depth (cm)	22.7
DUN14 (outer)	15410288531493
Units per outer package	14
Packaging outer length / height (cm)	48.9
Packaging outer width (cm)	32.1
Packaging outer depth (cm)	25.2

SAFETY DATA

Optimal operating condition (°C)	-20-40
Special purpose lamp	No
Dry applications use only	No
Suitable for household illumination	No