

FANAWAY VEIL CEILING FAN

- **INSTALLATION**
- **OPERATION**
- **MAINTENANCE**
- **WARRANTY INFORMATION**

CAUTION
READ INSTRUCTIONS CAREFULLY FOR SAFE
INSTALLATION AND FAN OPERATION.

CONTENTS

GB	Installation instruction manual	2
D	Installationsanleitung	14
F	Guide d'installation.....	27
E	Manual de instrucciones de instalación.....	40
I	Manuale delle istruzioni di installazione.....	53
NL	Installatiehandleiding.....	65
EL	Εγχειρίδιο οδηγιών εγκατάστασης	78

Contact:

Beacon International Ltd

Hong Kong Head Office: Room 05, 18/F, Kimberland Center, 55 Wing Hong Street, Cheung Sha Wan Kowloon, Hong Kong

Tel +852 34915904 Fax +852 34915917

China showroom / Office: 11/FI, Guzhen Lighting Building B, Mid Zhongxing Road, Guzhen, Zhongshan, GuangDong, China.

Tel: +86 760 8986 6388 Fax: +86 760 8986 6380

info@beaconinternational.com

www.beaconinternational.com

Beacon Lighting Europe GmbH

Campus Fichtenhain 42, 47807 Krefeld, Germany

TEL +49 (2151) 325 82 39 FAX +49 (2151) 325 70 65



GB


THANK YOU FOR PURCHASING

Thank you for purchasing this quality Fanaway product. To ensure correct function and safety, please read and follow all instructions carefully before assembly, installation and use of this ceiling fan. Please keep instructions for future reference.

SAFETY PRECAUTIONS

1. In Europe: This appliance can be used by children aged from 8 years and above and persons with reduced physical, sensory or mental capabilities or lack of experience and knowledge if they have been given supervision or instruction concerning the use of the appliance in a safe way and understand the hazards involved. Cleaning and maintenance shall not be undertaken by children without supervision.
2. In Australia: The appliance is not intended for use by persons (including children) with reduced physical, sensory or mental capabilities, or lack of experience and knowledge, unless they have been given supervision or instruction concerning the use of the appliance by a person responsible for their safety.
3. Children should be supervised to ensure that they do not play with the appliance.
4. An all-pole disconnection switch must be incorporated into the fixed wiring, in accordance with local wiring rules.



5.  Do not dispose of electrical appliances as unsorted municipal waste, use separate collection facilities. Contact your local government for information regarding the collection systems available. If electrical appliances are disposed of in landfills or dumps, hazardous substances can leak into the ground water and get into the food chain, damaging your health and well-being.
6. The structure to which the fan is to be mounted must be capable of supporting a weight of 65kg.
7. The fan should be mounted so that the blades are at least 2.3 m above the floor in Europe or 2.1 m above the floor in Australia.
8. This fan is suitable for indoor use only. Mounting the fan in a location where it is subject to water or moisture is dangerous and may increase the risk of damage, injury or electrical shock and will void the warranty.
9. Must be assembled and installed by a licensed electrician.
10. **WARNING:** If unusual wobbling or oscillating movement is observed, immediately stop using the ceiling fan and contact the manufacturer, its service agent or suitably qualified persons.
11. The replacement of parts of the safety suspension system device shall be performed by the manufacturer, its service agent or suitably qualified persons.
12. The fixing means for attachment to the ceiling such as hooks or other devices shall be fixed with a sufficient strength to withstand 4 times the weight of the ceiling fan; that the mounting of the suspension system shall be performed by the manufacturer, its service agent or suitably qualified persons.



PARTS LIST

- Unpack your ceiling fan carefully. Remove all parts and hardware.
- Lay out all the components on a smooth surface and make sure there are no components missing before assembling. If parts are missing, return the complete product to the place of purchase for inspection or replacement.
- Check whether the ceiling fan has been damaged during transport. Do not operate/install any product which appears damaged in any way. Return the complete product to the place of purchase for inspection, repair or replacement.
- Examine all parts, you should have the following list and Fig.1:

1	Mounting bracket x 1	9	Blades x 4
2	Canopy screws x 4	10	Retraction mechanism x 1
3	Canopy x 1	11	Light kit mounting bracket x 1
4	Down rod x 1	12	Light kit x 1
5	Down rod coupling housing cover x 1	13	Mounting screws x 2
6	Lock pin x 1	14	Remote Receiver and Remote x 1 set
7	Hatch pin x 1	15	Decorative drops x 114
8	Top housing x 1	16	Globes x 6



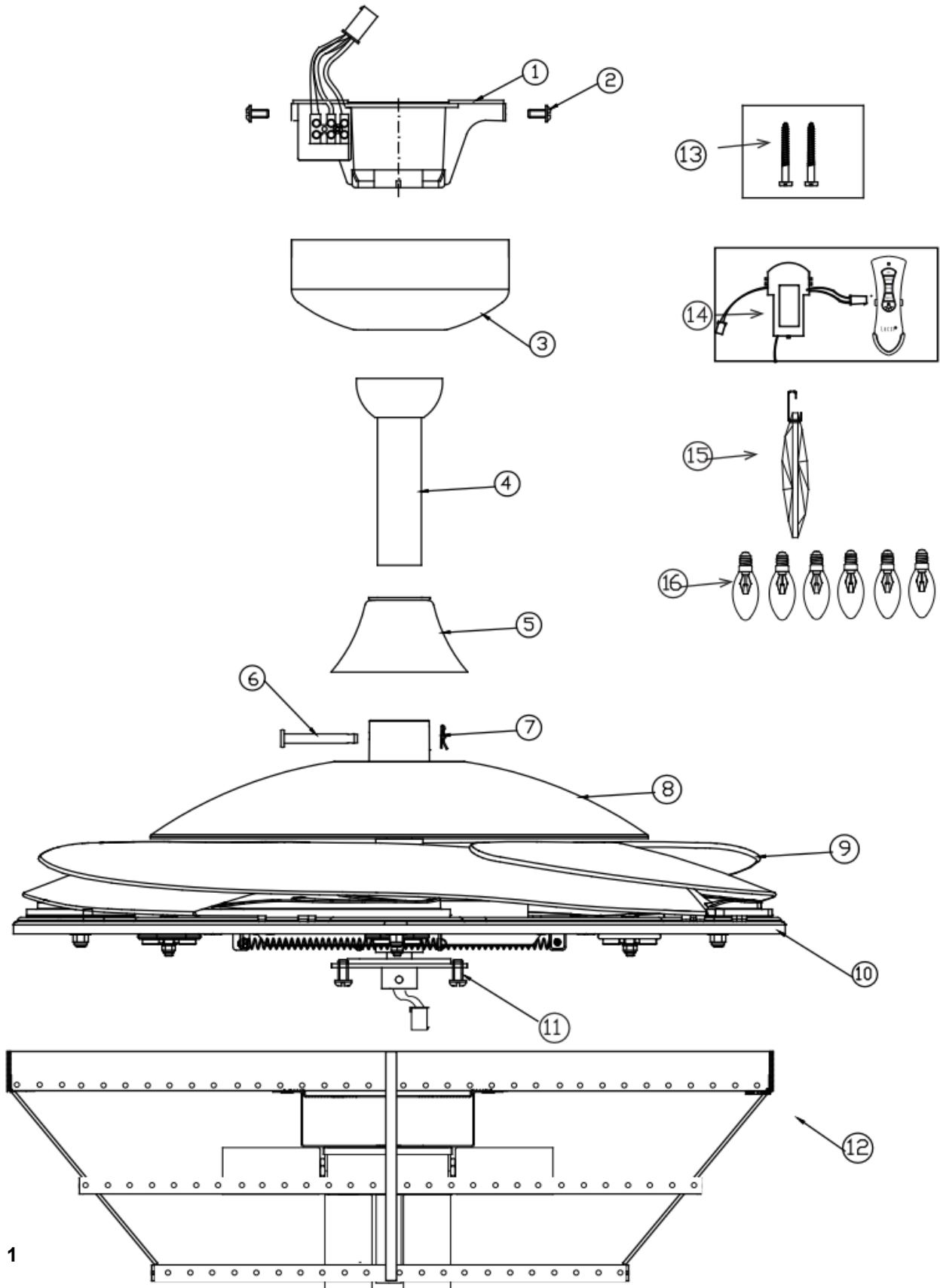


Fig. 1



This fan is suitable for indoor use only.

INSTALLING THE MOUNTING BRACKET

- The ceiling fan must be installed in a location so that the blades are spaced 300mm from the tip of the blade to the nearest objects or walls.
- Install the hanging bracket to the ceiling joist or structure that is capable of carrying a load of at least 65kg, with two long screws provided. Ensure at least 30mm of the screw is threaded into the support. (Fig. 2)

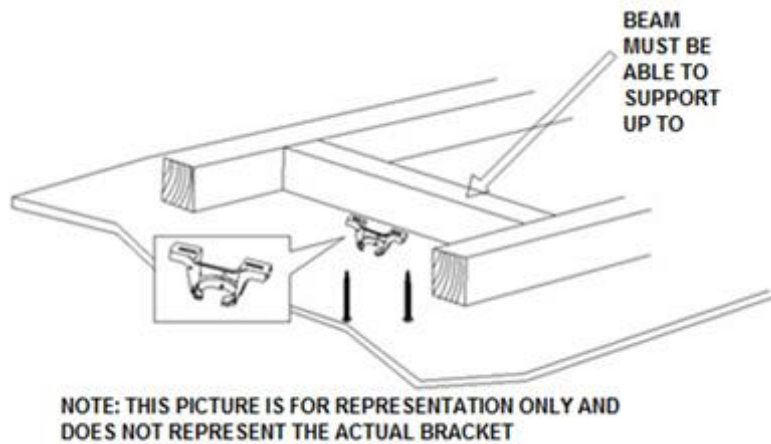


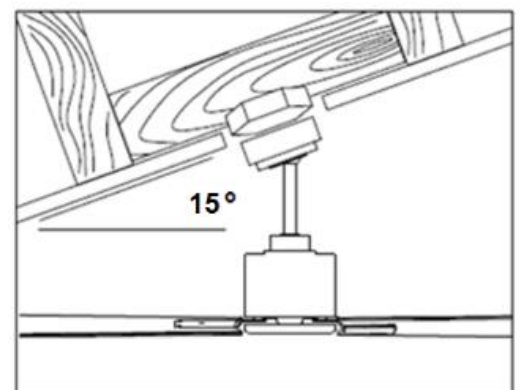
Fig. 2

NOTE: The bracket screws provided are for use with wooden structures only. For structures other than wood, the appropriate screw type **MUST** be used. Ensure the screws used are suitable for the mounting surface and the surrounding environment.

ANGLED CEILING INSTALLATION

This fan hanging system supports a maximum 15 degree angled ceiling installation.

Fig. 3



INSTALLING THE FAN

INSTALLING THE DOWN ROD (Fig. 4)

1. Remove the ball joint (2) and dowel pin from the down rod (5) by loosening the set screw (3).
Do not discard keep these parts, they are required to reassemble later.
2. Feed the wires and plug (1) through the down rod (5).
3. Insert the down rod (5) into the down rod coupling housing (7), line up the down rod coupling housing holes with the down rod holes and insert the lock pin (8) and secure with the hatch pin (9).
4. Secure the down rod (5) by tightening the two set screws (10) on the coupling (7).
5. Slide the down rod housing cover (6) over the down rod housing (7).
6. Slide the canopy (4) over the down rod (5).
7. Install the ball joint and dowel pin back onto the down rod (5) and secure by tightening the set screw (3).

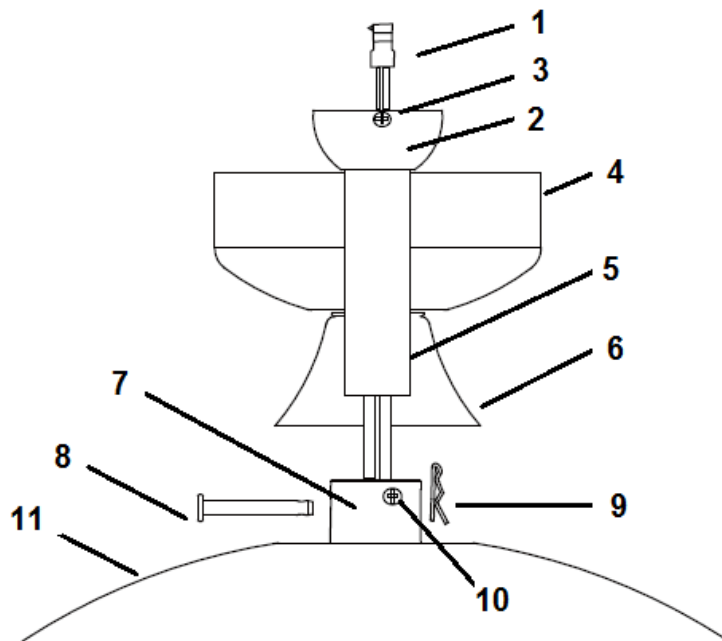


Fig. 4

HANGING THE FAN

Lift the fan assembly onto the mounting bracket. Ensure the key slot (A) of the hanger ball is positioned on the key pin (B) of the mounting bracket (C) to prevent the fan from rotating when in operation. (Fig. 5)

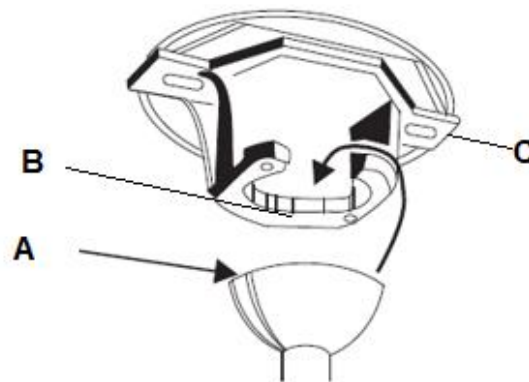


Fig. 5



LIGHT KIT INSTALLATION

LIGHT KIT INSTALLATION (Fig. 6 & 7)

1. Loosen the screw (1) from the fan bracket. Align the two slot screws with the keyhole slots (2) of the light kit bracket. (Fig. 6)
2. Turn the light kit counterclockwise until the slot screws are firmly at the end of the slots (2).
3. Secure screw (1) to the lamp shade bracket. Tighten all three screws. Do not over-tighten.

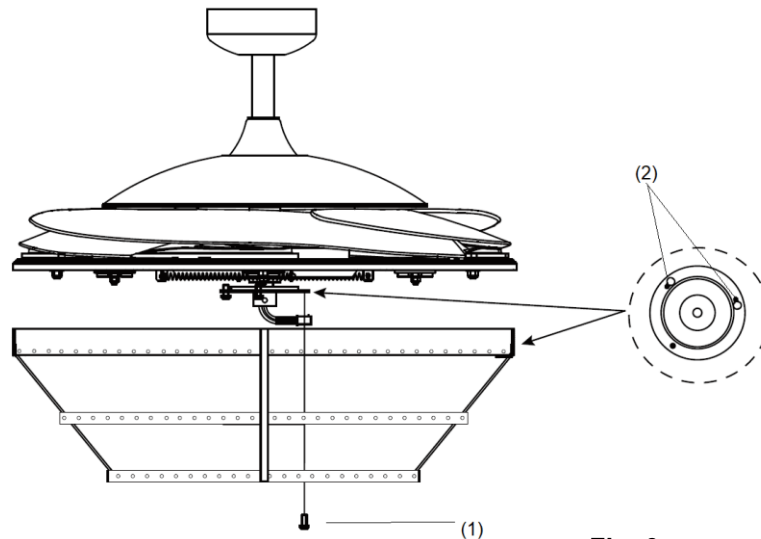


Fig. 6

4. Connect the quick connector to the lamp holder part (3). (Fig. 7)
5. Secure the lamp-holder part (3) to the light kit bracket by tightening the 3 screws (4). Do not over-tighten.
6. Install the globes (5) to the lamp holders. Do not exceed the maximum power rating.
7. Install the decorative drops (6) to the light kit.

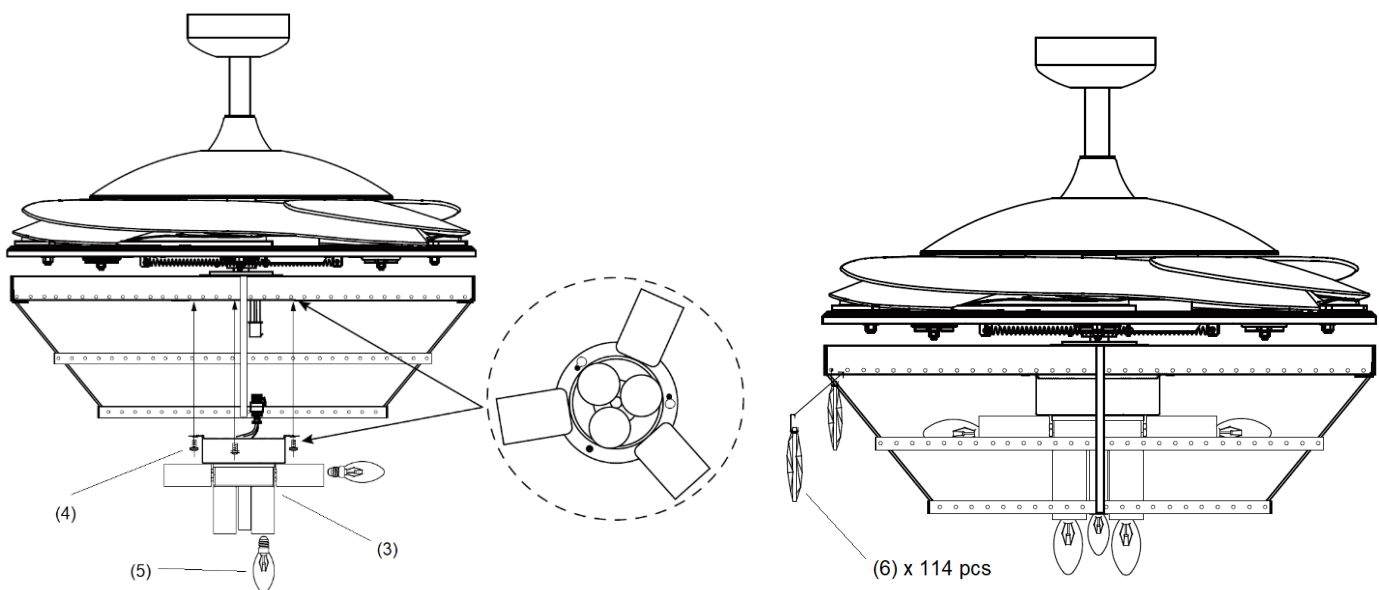


Fig. 7



ELECTRICAL WIRING DIAGRAM THE FAN

WARNING: FOR YOUR SAFETY ALL ELECTRICAL CONNECTIONS MUST BE UNDERTAKEN BY A LICENSED ELECTRICIAN.

NOTE: AN ADDITIONAL ALL POLE DISCONNECTION SWITCH MUST BE INCLUDED IN THE FIXED WIRING.

See Fig. 8 for instructions below to wire up the fan.

- Connect “LIVE” supply wire to the “L” of terminal block on the mounting bracket.
- Connect “NEUTRAL” supply wire to the “N” of terminal block on the mounting bracket.
- Connect “EARTH” wire to the “⊕” of terminal block on the mounting bracket.
- Hang the fan (Refer to “hanging the fan” Fig. 5, page 6).
- Connect the quick connector from bracket (label 1) the receiver supply input quick connector (label 2);
- Connect the receiver output quick connector (label 3) to the quick connector of the fan (label 4).
- Carefully insert the Remote Receiver above the hanger ball in the remainder spacing in the mounting bracket. Take care not to damage or loosen any of the wiring (label 5 & Fig. 9).

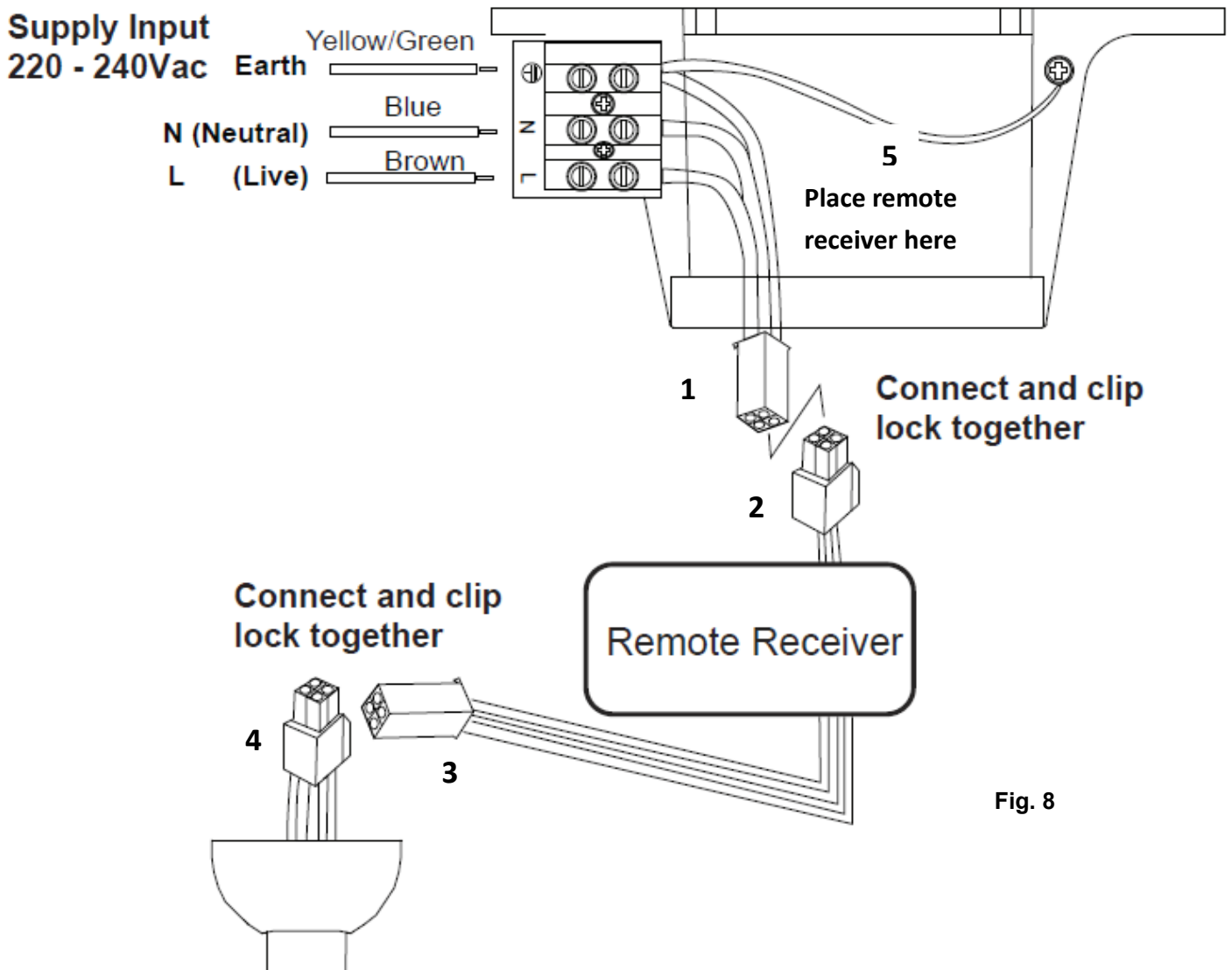
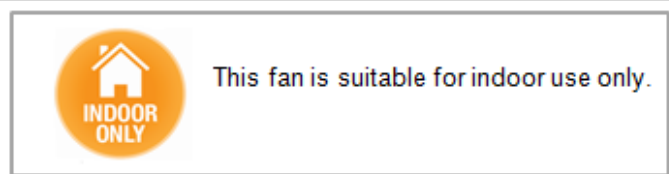


Fig. 8



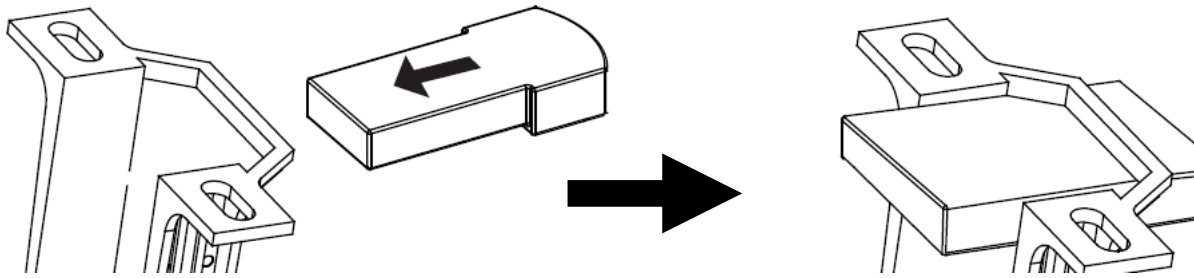


Fig. 9

FINISHING THE INSTALLATION

- After completing the electrical connection at the mounting bracket terminal block, connect the ceiling fan wiring via the quick connector plug.
- Ensure the earth wiring is secure and correct, by performing an earthing continuity test from the fan's accessible metal body and lamp base back to the earth terminal at the terminal block on the mounting bracket.
- Cover the mounting bracket with the canopy. Ensure all electrical wiring is tucked inside the canopy and that the wires are not damaged during this step. Secure the canopy to the hanger bracket using the screws provided. (Fig. 10)
- Switch ON mains power supply to the fan. Test the fan operations or enjoy using the fan following instructions the under "USING YOUR CEILING FAN" section of this instruction manual.

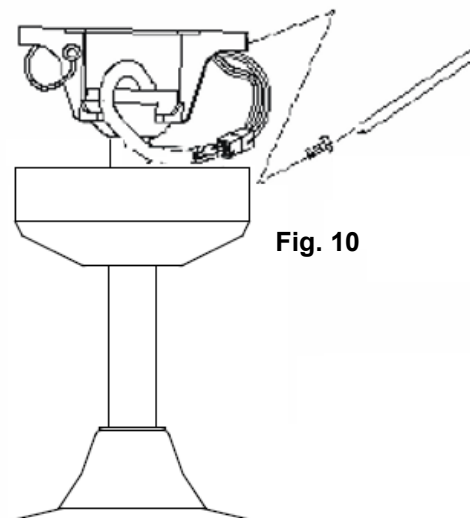


Fig. 10



USING YOUR CEILING FAN

Your ceiling fan is controlled via the remote control. There are 4 buttons (HI, MED, LOW, OFF) to control the fan speed and one button to control light on/off. **Fig. 13**

Before operating the remote, the following must be considered.

- 2 x AAA 1.5V (size) batteries are required to operate the remote control. Remove the battery cover from the back of the remote and insert 2 x AAA batteries. Ensure the polarities are correct as shown in the battery compartment. (Fig.11) (Batteries not included.)
- The remote (transmitter) and receiver must be configured so that communication between each other is paired up. This is achieved by setting the DIP switch on the receiver and remote on the same setting. (Fig. 12)

Note: The DIP switch assembly has 4 switches which can be setup to 16 different transmitting code combinations. This is practical when there is more than 1 remote/receiver pair operating locally or in the same room.

Note: To access the receiver DIP switches, remove the DIP switch cover.



Fig. 11 Remote battery compartment

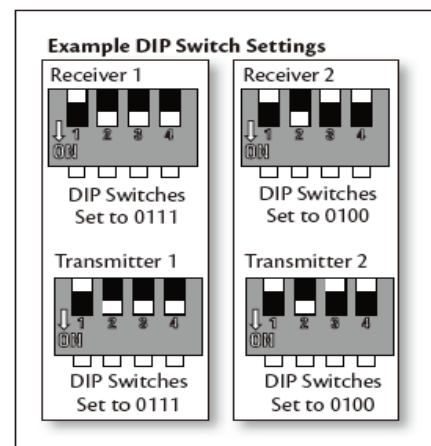


Fig. 12 Receiver DIP switch

OPERATING THE REMOTE:

Before you start using the remote, take the time to read through this section and get familiar with the buttons and function of each button.

LED Indicator

The red LED indicator on the top of the transmitter will flash when the buttons are active.



BUTTONS ON THE REMOTE

HI: Press the button to set fan running at High speed.

MED: Press the button to set fan running at Medium speed.

LOW: Press the button to set fan running at Low speed.

OFF: Press the button to turn OFF the fan.



: Press the button to turn ON/ OFF the light.

The remote has memory function. If the fan or light is turned off by the isolating switch, it will memorise and recover the last status when turned on next.



Fig. 13

INSTALLATION OF THE REMOTE CONTROL HOLDER (Fig. 15)

1. Locate a suitable wall or surface to fix the remote control wall holder.
2. Remove the screw cover and install the holder using the 2 screws and re-install the screw cover. (Fig.15a).
3. Slide the remote into the holder. (Fig. 15b).

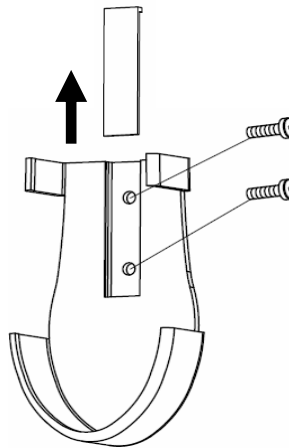


Fig. 15a

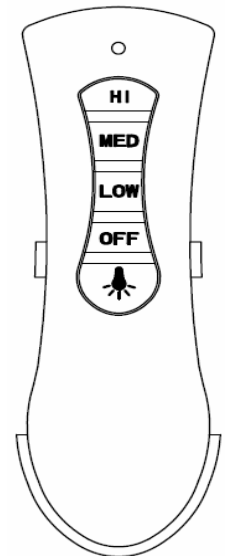


Fig. 15b

REVERSING FUNCTION (Fig. 15)

Your ceiling fan can operate in either summer or winter mode.

SUMMER Mode: The reverse switch should be in the SUMMER position to rotate the fan in an anticlockwise direction. The airflow will be directed downwards, for cooling in summer.



WINTER Mode: The reverse switch should be in the WINTER position to rotate the fan in a clockwise direction. The airflow will be directed upwards assisting in the circulation of warm air, for energy conservation in winter.

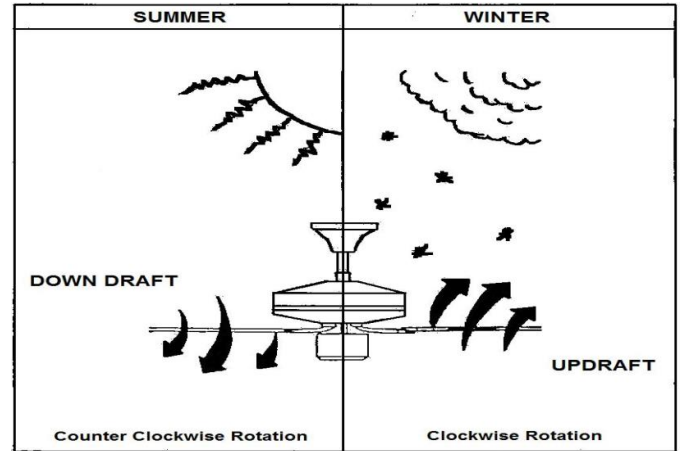
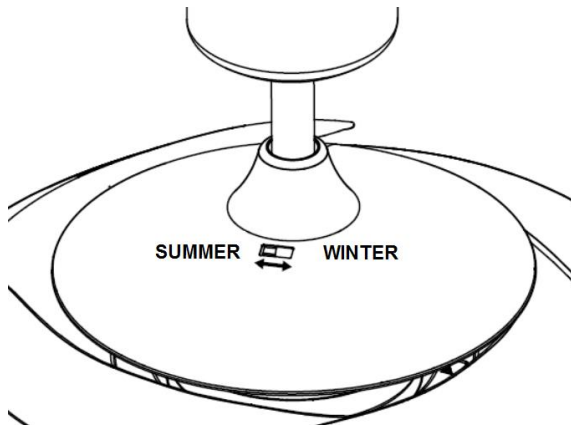


Fig. 15

AFTER INSTALLATION

WOBBLE:

NOTE: ceiling fans tend to move during operation due to the fact that they are mounted on a rubber grommet. If the fan was mounted rigidly to the ceiling it would cause excessive vibration. Movement of a few centimetres is quite acceptable and DOES NOT suggest any problem.

TO REDUCE THE FAN WOBBLE:

Please check that all screws which fix the mounting bracket and down rod are secure.

NOTE: This fan has been precision balanced at the factory and will not need to be balanced again.

NOISE:

When it is quiet (especially at night) you may hear occasional small noises. Slight power fluctuations and frequency signals superimposed in the electricity for off-peak hot water control, may cause a change in fan motor noise. This is normal. Please allow a 24-hour “settling-in” period, most noises associated with a new fan disappear during this time.

Please note that this is not a product fault and as such is not covered under warranty – All electric motors are audible to some extent.

CARE & CLEANING

NOTE: Always turn OFF the power at the mains switch before performing any maintenance or attempting to clean your fan.

- Every 6 months periodic cleaning of your ceiling fan is the only maintenance required. Use a soft brush or lint free cloth to avoid scratching the paint finish. Please turn off electricity power when you do so.
- Do not soak or immerse your ceiling fan in the water or other liquids. It could damage the motor or the



blades and create the possibility of an electrical shock.

- Ensure that the fan does not come in contact with any organic solvents or cleaners.
- To clean the fan blade, wipe with only a damp clean cloth with NO organic solvents or cleaners.
- The motor has a permanently lubricated ball bearing so there is no need to oil.

SAFETY PRECAUTIONS FOR BATTERY

- **WARNING** – Keep new and used batteries away from children.
- **CAUTION** – Do not ingest battery—Chemical burn hazard.
- Always use 2 x AAA battery type with this ceiling fan remote controller.
- Ensure the batteries are inserted with the correct polarity.
- To prevent false operation during battery insertion or replacement, this ceiling fan must be disconnected from the supply mains.
- Remove batteries from the product when not in use for long periods of time.
- Batteries must be removed from the remote transmitter before it is discarded.
- Dispose of exhausted batteries immediately and safely (so they cannot be retrieved by children). Batteries can still be dangerous. Contact your local council to safely dispose of the battery.
- Regularly check the product and make sure the battery box lid is correctly secured. If the battery compartment does not close securely, stop using the product and keep it away from children.

TECHNICAL INFORMATION

Fan	48" fan – Fanaway Veil
Fan Models/SKU#	LD-48" FAN VE / SKU# 212922, 212923
Rated Voltage	220-240V~ 50Hz
Rated Wattage (Motor)	60W
Rated wattage (Lamp)	E14, 6 x Max.45W
Weight	15.7kg
Canopy Dimensions	H:55mm Dia:130mm

WARRANTY INFORMATION

IN AUSTRALIA / NEW ZEALAND – Please refer to the separated WARRANTY STATEMENT.

IN EUROPE – If you are a European customer please contact the retail outlet where the fan was purchased for warranty service.



D**VIELEN DANK FÜR IHREN KAUF**

Vielen Dank, dass Sie sich für dieses Qualitätsprodukt von Fanaway entschieden haben. Lesen und befolgen Sie bitte sorgfältig alle Anleitungen, bevor Sie diesen Deckenventilator benutzen, um eine einwandfreie Funktion und Sicherheit bei Montage, Installation und Gebrauch zu gewährleisten. Bitte bewahren Sie die Anleitungen zum Nachlesen auf.

SICHERHEITSVORKEHRUNGEN

1. In Europa: Dieses Gerät kann von Kindern ab 8 Jahren sowie Personen mit eingeschränkten physischen, sensorischen oder geistigen Fähigkeiten oder Mangel an Erfahrung und Wissen im Umgang mit dem Gerät verwendet werden, wenn sie beaufsichtigt oder bezüglich des sicheren Gebrauchs unterwiesen wurden und die daraus resultierenden Gefahren kennen. Ohne Aufsicht dürfen Kinder keine Reinigungs- und Wartungsarbeiten durchführen.
2. In Australien: Das Gerät ist nicht dafür bestimmt, von Personen (einschließlich Kindern) mit eingeschränkten physischen, sensorischen oder geistigen Fähigkeiten oder mangelnder Erfahrung und/oder mangelndem Wissen benutzt zu werden, es sei denn, sie werden durch eine für ihre Sicherheit zuständige Person beaufsichtigt oder erhalten von ihr Anweisungen, wie das Gerät zu benutzen ist.
3. Kinder müssen beaufsichtigt werden, um sicherzustellen, dass sie nicht mit dem Gerät spielen.
4. In die feste Verkabelung muss ein allpoliger Trennschalter gemäß den örtlichen Verkabelungsvorschriften eingebaut werden.



5. Entsorgen Sie elektrische Geräte nicht als unsortierten Hausmüll, sondern nutzen Sie separate Sammelstellen. Wenden Sie sich an Ihre Gemeindeverwaltung, um Informationen über die verfügbaren Sammelsysteme zu erhalten. Wenn Elektrogeräte auf Deponien entsorgt werden, können Gefahrstoffe in das Grundwasser sickern und in die Nahrungskette gelangen, was Ihrer Gesundheit und Ihrem Wohlbefinden schadet.
6. Das Gefüge, an dem der Ventilator montiert werden soll, muss ein Gewicht von 65 kg tragen können.
7. Der Ventilator sollte so montiert werden, dass sich die Rotorblätter in Europa mindestens 2,3 m über dem Boden und in Australien 2,1 m über dem Boden befinden.
8. Dieser Ventilator ist nur für den Gebrauch in Innenbereichen geeignet. Die Montage des Ventilators an einem Ort, an dem er Wasser oder Feuchtigkeit ausgesetzt ist, ist gefährlich und kann das Risiko von Schäden, Verletzungen oder Stromschlägen erhöhen und führt zum Erlöschen der Garantie.
9. Das Produkt muss von einem geprüften Elektriker zusammgebaut und installiert werden.
10. **WARNUNG:** Bei ungewöhnlichen Unwucht- oder Schwenkbewegungen ist der Deckenventilator sofort außer Betrieb zu nehmen und der Hersteller, sein Servicepartner oder entsprechend qualifizierte



Personen zu kontaktieren.

11. Teile der Sicherheitsaufhängung müssen vom Hersteller, seinem Servicepartner oder entsprechend qualifizierten Personen ausgetauscht werden.
12. Die Befestigungsmittel für die Deckenmontage, wie z. B. Haken oder andere Vorrichtungen, müssen so fest montiert werden, dass sie das 4-fache Gewicht des Deckenventilators halten können. Die Montage des Aufhängungssystems muss vom Hersteller, seinem Servicepartner oder entsprechend qualifizierten Personen ausgeführt werden.

TEILELISTE

- Packen Sie Ihren Deckenventilator vorsichtig aus. Entnehmen Sie alle Teile und Befestigungsmittel.
- Breiten Sie alle Bauteile auf einer glatten Fläche aus und vergewissern Sie sich vor der Montage, dass keine Teile fehlen. Falls Teile fehlen, bringen Sie das komplette Produkt zwecks Überprüfung oder Austausch zu der Verkaufsstelle zurück.
- Prüfen Sie, ob der Deckenventilator während des Transports beschädigt wurde. Benutzen bzw. montieren Sie das Produkt nicht, wenn es in irgendeiner Weise einen beschädigten Eindruck macht. Bringen Sie das komplette Produkt zwecks Überprüfung, Reparatur oder Austausch zu der Verkaufsstelle zurück.
- Überprüfen Sie alle Teile. Sie sollten die folgende Liste und Abb. 1 beachten:

1	1 x Halterung	9	4 x Rotorblätter
2	4 x Konsolen-Schrauben	10	1 x Rückstellmechanismus
3	1 x Konsole	11	1 x Halterung des Beleuchtungssets
4	1 x Deckenstange	12	1 x Beleuchtungsset
5	1 x Verkleidung für Deckenstangenanschluss	13	2 x Montageschrauben
6	1 x Sicherungsstift	14	1 x Fernbedienungsempfänger und Fernbedienung
7	1 x Splint	15	114x Dekortropfen
8	1 x Oberes Gehäuse	16	6 x Leuchtkörper



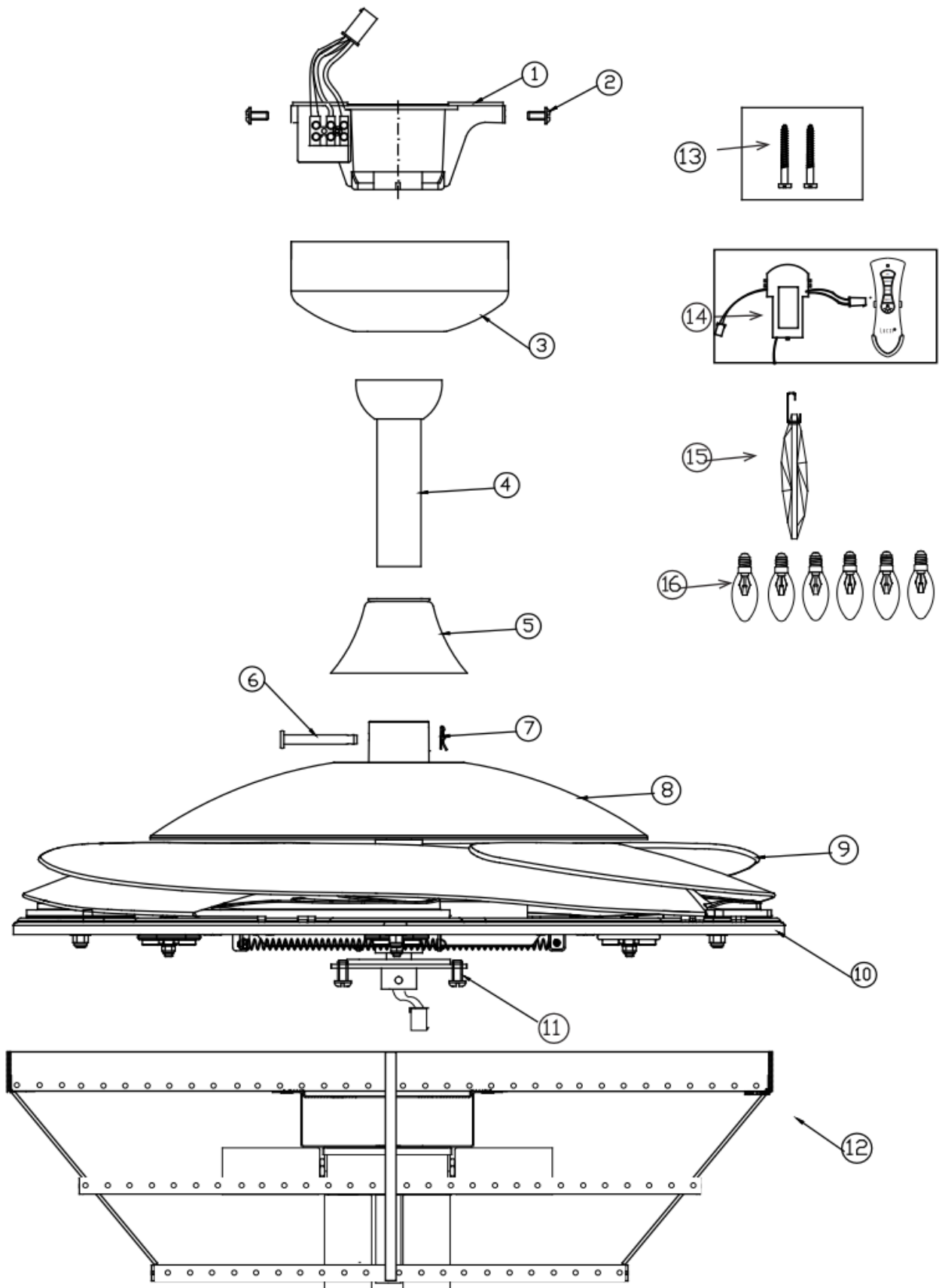


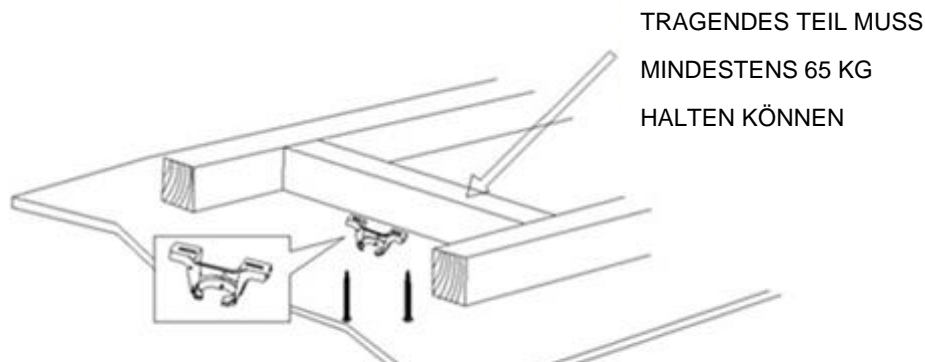
Abb. 1



This fan is suitable for indoor use only.

MONTAGE DER HALTERUNG

- Der Deckenventilator muss an einer Stelle montiert werden, an dem die Rotorblattspitzen einen Mindestabstand von 300 mm zu den nächsten Gegenständen oder Wänden haben.
- Schrauben Sie mithilfe der beiden langen mitgelieferten Schrauben die Halterung an einen Deckenbalken oder Träger an, der mindestens 65 kg tragen kann. Stellen Sie sicher, dass mindestens 30 mm der Schraube in die Halterung eingeschraubt sind. (Abb. 2)



HINWEIS: DIESES BILD DIEN T NUR ZUR VERANSCHAULICHUNG UND ZEIGT NICHT DIE TATSÄCHLICHE HALTERUNG.

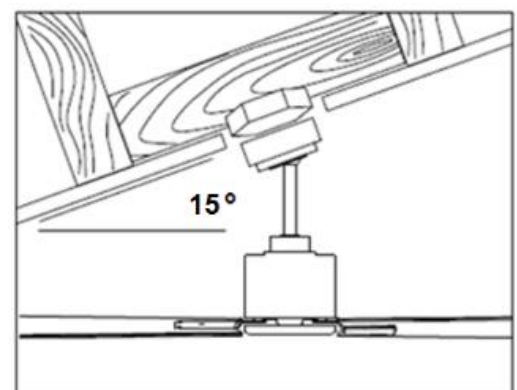
Abb. 2

HINWEIS: Die mitgelieferten Halterungsschrauben sind nur für Holztragwerke geeignet. Für Tragwerke aus anderen Materialien als Holz MUSS der entsprechende Schraubentyp verwendet werden. Stellen Sie sicher, dass die verwendeten Schrauben für die Montagefläche und die Umgebung geeignet sind.

MONTAGE AN EINER SCHRÄGDECKE

Diese Ventilator-Aufhängung eignet für eine maximale Schräge von 15 Grad.

Abb. 3



MONTAGE DES VENTILATORS

MONTAGE DER DECKENSTANGE (Abb. 4)

1. Lösen Sie die Befestigungsschraube (3), um das Kugelgelenk (2) und den Spannstift von der Deckenstange (5) abzunehmen.
Diese Teile dürfen nicht entsorgt werden, da sie für den Zusammenbau noch benötigt werden.
2. Führen Sie die Kabel und den Stecker (1) durch die Deckenstange (5).
3. Führen Sie die Deckenstange (5) durch die Gehäuseverkleidung (7), bringen Sie die Löcher in der Gehäuseverkleidung mit den Löchern in der Deckenstange in die Flucht, schieben Sie den Sicherungsstift (8) durch die Löcher und fixieren Sie ihn mit dem Splint (9).
4. Fixieren Sie die Deckenstange (5) durch Anziehen der zwei Befestigungsschrauben (10) am Verbindungsstück (7).
5. Schieben Sie die Abdeckung (6) über die Verkleidung der Deckenstange (7).
6. Führen Sie die Konsole (4) über die Deckenstange (5).
7. Setzen Sie das Kugelgelenk und den Spannstift wieder in die Deckenstange (5) ein und ziehen Sie die Befestigungsschraube (3) an.

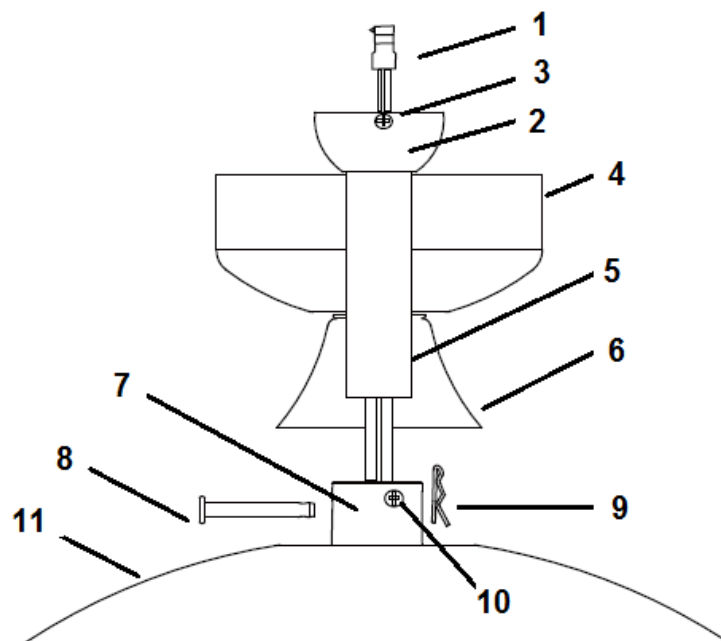


Abb. 4

AUFHÄNGEN DES VENTILATORS

Halten Sie den kompletten Ventilator unter die Halterung. Achten Sie darauf, dass der Passstift (B) der Halterung in die Sicherungsnut (A) der Kugelaufhängung greift, um ein Verdrehen des Ventilators im Betrieb zu verhindern. (Abb. 5)



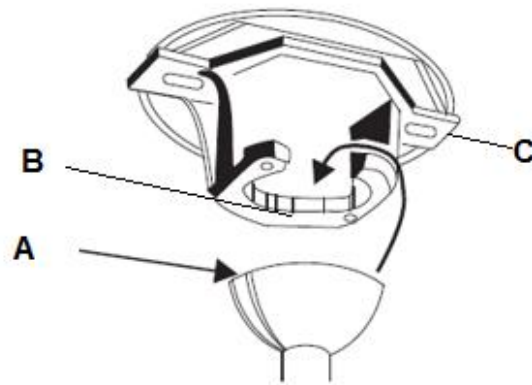


Abb. 5

INSTALLATION DES BELEUCHTUNGSSETS

INSTALLATION DES BELEUCHTUNGSSETS (Abb. 6 und 7)

1. Lösen Sie die Schraube (1) an der Ventilatorhalterung. Richten Sie die zwei Schlitzschrauben an den Schlüsselloch-Schlitz (2) der Leuchtenhalterung aus. (Abb. 6)
2. Drehen Sie das Beleuchtungsset gegen den Uhrzeigersinn, bis die Schlitzschrauben fest am Ende der Schlitz sitzen (2).
3. Fixieren Sie die Schraube (1) an der Halterung des Lampenschirms. Ziehen Sie alle drei Schrauben fest. Überdrehen Sie die Schrauben nicht.

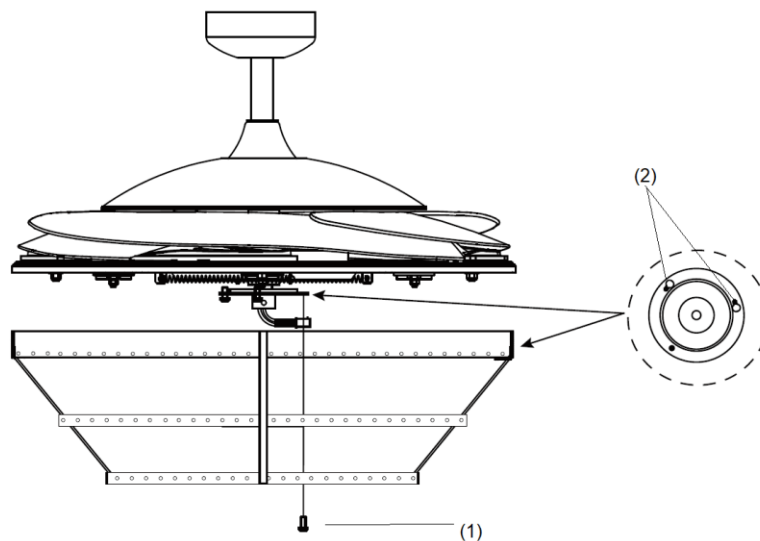


Abb. 6

4. Schließen Sie die Schnellkupplung am Lampenhalterungsteil (3) an. (Abb. 7)
5. Ziehen Sie den Lampenhalterungsteil (3) mit den drei Schrauben (4) an der Halterung des Beleuchtungssets fest. Überdrehen Sie die Schrauben nicht.
6. Installieren Sie die Leuchtkörper (5) an den Lampenhaltern. Die maximale Nennleistung darf nicht überschritten werden.
7. Installieren Sie die Dekortropfen (6) am Beleuchtungsset.



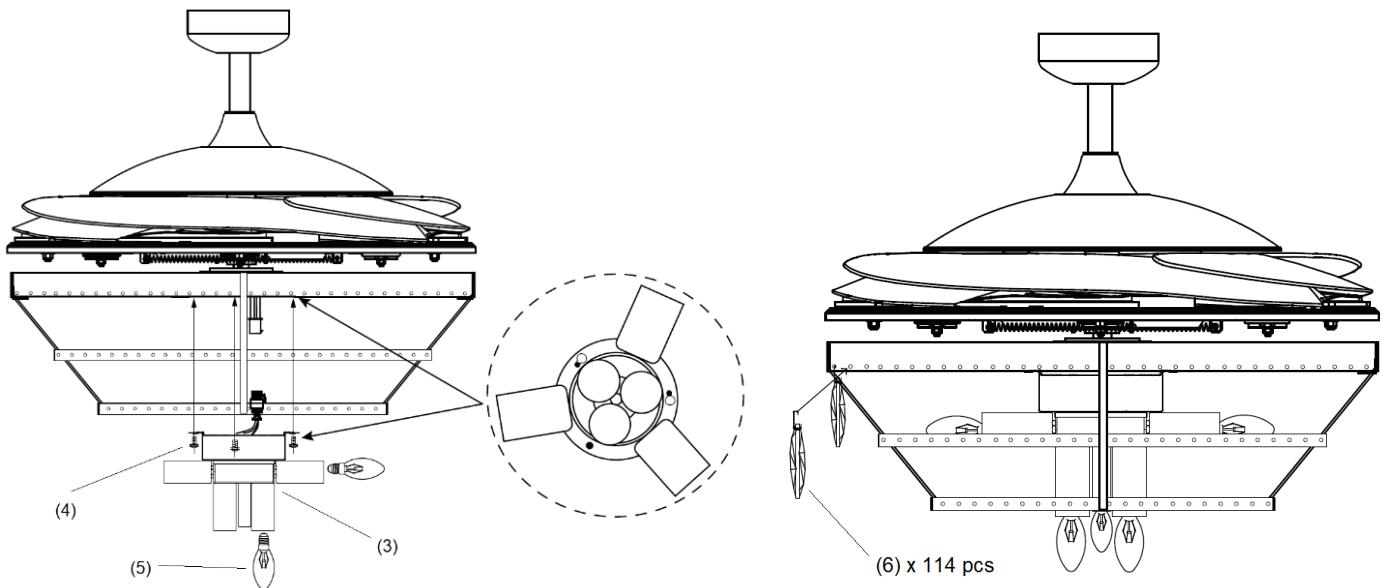


Abb. 7

SCHALTBILD DES VENTILATORS

WARNUNG: ZUR EIGENEN SICHERHEIT SOLLTEN ALLE ELEKTRISCHEN ANSCHLÜSSE VON EINEM GEPRÜFTEN ELEKTRIKER HERGESTELLT WERDEN.

HINWEIS: IN DER FESTVERDRAHTUNG SOLLTE EIN ZUSÄTZLICHER TRENNSCHALTER FÜR ALLE PHASEN VORGESEHEN WERDEN.

Beachten Sie zu den nachfolgenden Anweisungen zur Verdrahtung des Ventilators Abb. 8.

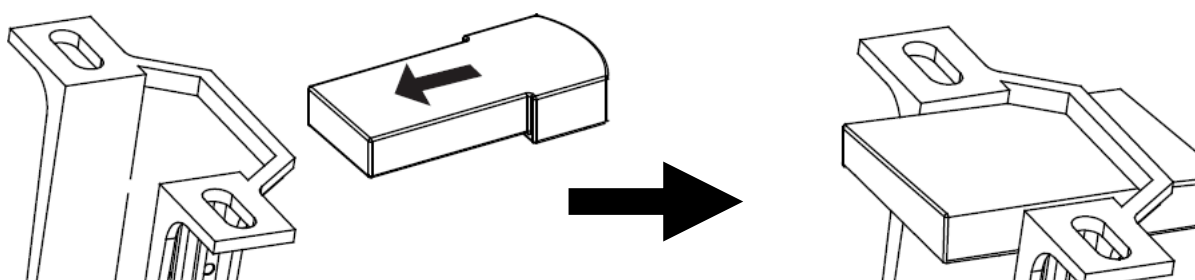
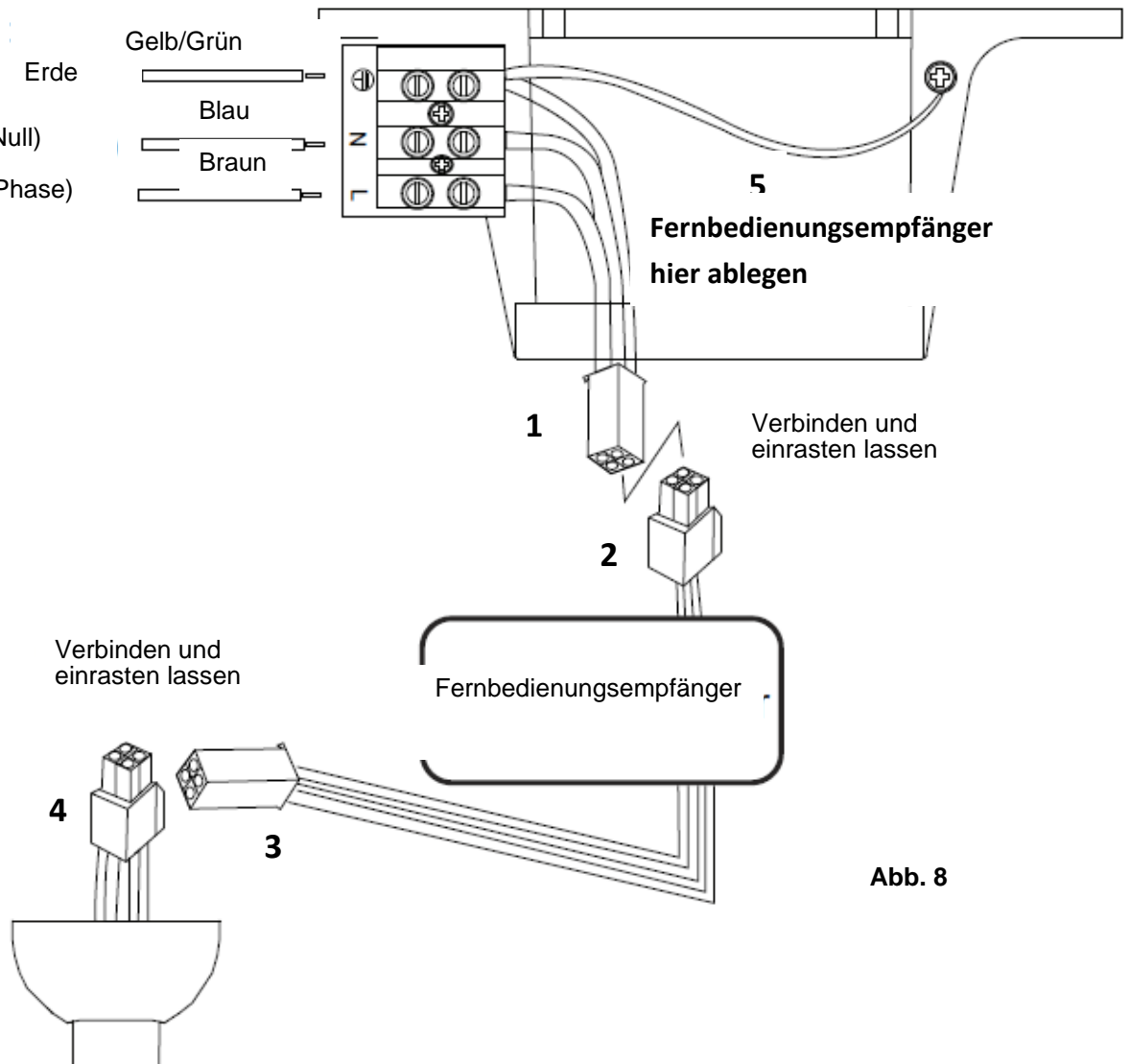
- Verbinden Sie den „LIVE“-Leiter (stromführender Leiter) mit der Klemme „L“ am Klemmenblock der Halterung.
- Verbinden Sie den NEUTRAL“-Leiter (Nullleiter) mit der Klemme „N“ am Klemmenblock der Halterung.
- Verbinden Sie den „EARTH“-Leiter (Schutzleiter) mit der Klemme „⊕“ am Klemmenblock der Halterung.
- Hängen Sie den Ventilator auf (siehe „Aufhängen des Ventilators“ Abb. 5 auf Seite 6).
- Verbinden Sie die Schnellkupplung der Halterung (Kennzeichnung 1) mit der Schnellkupplung des Empfängereingangs (Kennzeichnung 2);
- verbinden Sie die Schnellkupplung des Empfängerausgangs (Kennzeichnung 3) mit der Schnellkupplung des Ventilators (Kennzeichnung 4).
- Stecken Sie den Fernbedienungsempfänger vorsichtig über der Kugelaufhängung in den Zwischenraum zur Halterung. Achten Sie darauf, keines der Kabel zu beschädigen oder zu lösen (Kennzeichnung 5 und Abb. 9).



Netzeingang
220 - 240 VAC

Erde
N (Null)
L (Phase)

Gelb/Grün
Blau
Braun



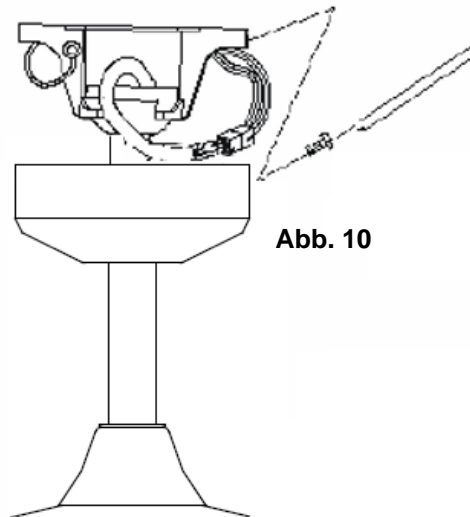
ABSCHLUSS DER INSTALLATION

- Nachdem Sie den elektrischen Anschluss an der Klemmleiste der Halterung abgeschlossen haben, können Sie den Deckenventilator über die Schnellkupplung anschließen.
- Vergewissern Sie sich, dass die Erdungsleitung korrekt und fest angeschlossen ist. Testen Sie dazu die



Erdungsleitung zwischen einem zugänglichen Teil des Metallkörpers am Ventilator und dem Masseanschluss an der Klemmleiste der Montagehalterung auf Durchgang.

- Bringen Sie die Konsole über der Halterung an. Achten Sie darauf, dass alle Elektrokabel unter der Konsole verlegt sind und dass bei diesem Schritt keine Kabel eingeklemmt werden. Schrauben Sie die Konsole mit den beiliegenden Schrauben an der Aufhängung an. (Abb. 10)
- Schalten Sie die Stromversorgung EIN. Testen Sie den Ventilatorbetrieb oder nehmen Sie ihn anhand der Anweisungen im Abschnitt „BENUTZUNG DES DECKENVENTILATORS“ dieser Bedienungsanleitung in Betrieb.



BENUTZUNG DES DECKENVENTILATORS

Der Deckenventilator wird mit der Fernbedienung gesteuert. Auf der Fernbedienung finden Sie 4 Tasten (HI, MED, LOW, OFF) zum Einstellen der Ventilatorgeschwindigkeit sowie eine Taste zum Ein- und Ausschalten der Beleuchtung. **Abb. 13**

Vor dem Gebrauch der Fernbedienung muss Folgendes beachtet werden.

- Es werden 2 AAA-Batterien (1,5 V) zum Betrieb der Fernbedienung benötigt. Entfernen Sie die Batteriefachabdeckung auf der Rückseite der Fernbedienung und legen Sie 2x AAA-Batterien ein. Dabei auf die richtige Polarität achten, die im Batteriefach angegeben ist. (Abb. 11) (Batterien nicht inbegriffen.)
- Die Fernbedienung (Sender) und der Empfänger müssen aufeinander eingestellt und gekoppelt werden. Stellen Sie hierzu an den DIP-Schaltern des Empfängers und der Fernbedienung die gleiche Schalterposition ein. (Abb. 12)

Hinweis: Der DIP-Schalter besitzt 4 Schalter, mit denen sich 16 verschiedenen Übertragungscode-Kombinationen einstellen lassen. Dies ist immer dann praktisch, wenn mehr als ein Fernbedien- und Empfänger-Paar vor Ort bzw. im gleichen Zimmer benutzt wird.



Hinweis: Nach dem Entfernen der DIP-Schalterabdeckung ist der DIP-Schalter zugänglich.



Abb. 11 Batteriefach der Fernbedienung

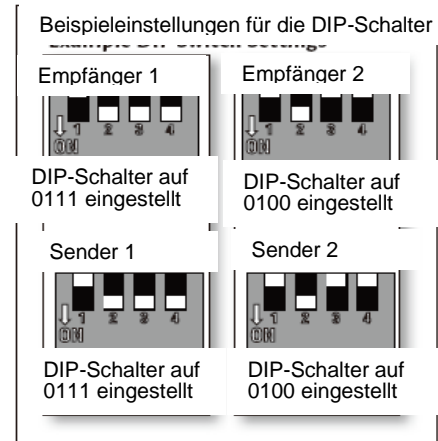


Abb. 12 DIP-Schalter des Empfängers

FUNKTIONSWEISE DER FERNBEDIENUNG:

Vor dem Benutzen der Fernbedienung sollten Sie sich etwas Zeit zum Lesen dieser Anleitung nehmen und sich mit den Tasten und deren Funktionen vertraut machen.

LED-Anzeige

Die rote LED-Anzeige vorn am Sender blinkt, wenn die Tasten aktiviert sind.

TASTEN AUF DER FERNBEDIENUNG

HI: Taste zum Starten der hohen Ventilatorgeschwindigkeit drücken.

MED: Taste zum Starten der mittleren Ventilatorgeschwindigkeit drücken.

LOW: Taste zum Starten der niedrigen Ventilatorgeschwindigkeit drücken.

OFF: Taste zum Ausschalten des Ventilators drücken.


 : Taste zum Ein- bzw. Ausschalten der Beleuchtung drücken.



Abb. 13

Die Fernbedienung besitzt eine Speicherfunktion. Falls der Ventilator oder die Beleuchtung durch den Trennschutzschalter ausgeschaltet wird, wird die Einstellung für das nächste Mal, wenn der Ventilator eingeschaltet wird, gespeichert.



MONTAGE DER FERNBEDIENUNGSHALTERUNG (Abb. 15)

1. Suchen Sie eine geeignete Wand oder Fläche zum Anbringen der Wandhalterung der Fernbedienung.
2. Entfernen Sie die Schraubenabdeckung und montieren Sie die Halterung mithilfe der 2 Schrauben und befestigen Sie die Schraubenabdeckung wieder. (Abb. 15a).
3. Legen Sie die Fernbedienung in die Halterung. (Abb. 15b)

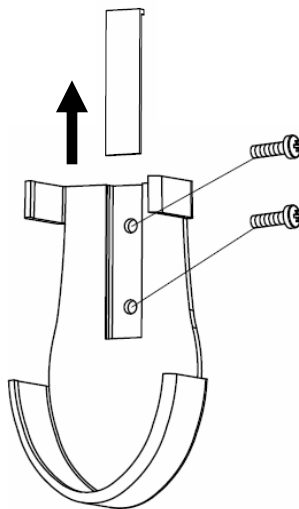


Abb. 15a

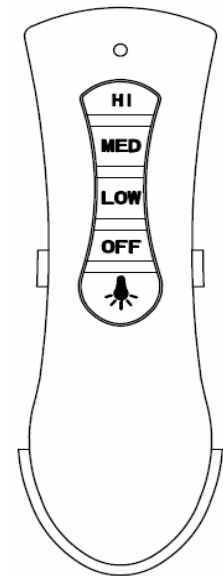


Abb. 15b

LINKSLAUF (Abb. 15)

Der Deckenventilator kann auf Sommer- oder Winter-Modus eingestellt werden.

SOMMER-Modus: Um den Ventilator gegen den Uhrzeigersinn drehen zu lassen, muss der Linkslaufschalter auf die Position SUMMER gestellt werden. Der Luftstrom wird nach unten geleitet, um im Sommer zu kühlen.

WINTER-Modus: Stellen Sie den Linkslaufschalter auf WINTER, um den Ventilator im Uhrzeigersinn drehen zu lassen. Der Luftstrom wird nach oben geleitet und unterstützt so die Zirkulation warmer Luft. Dadurch können Sie im Winter Energie sparen.

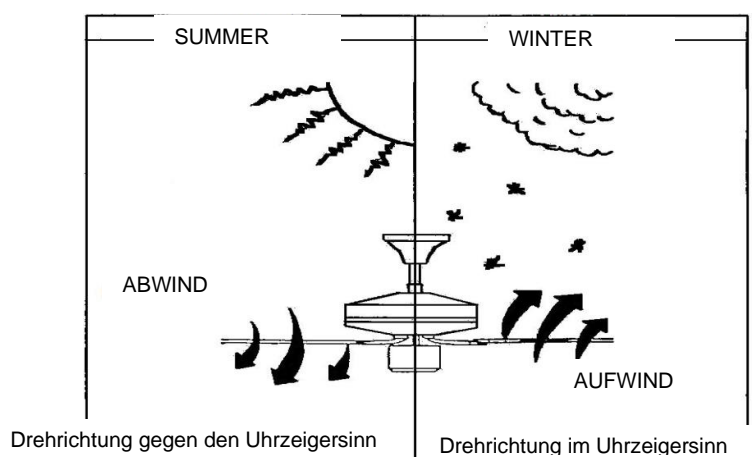
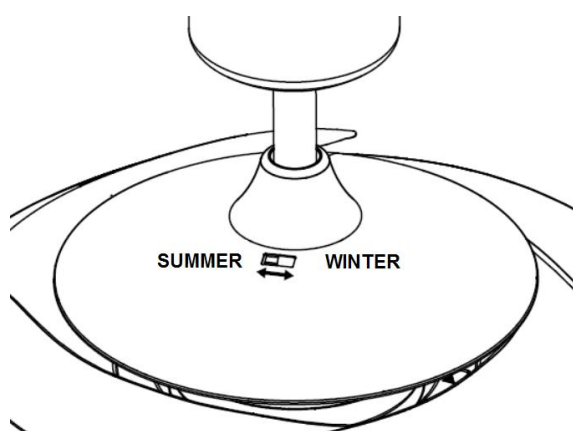


Abb. 15



NACH DER MONTAGE

UNRUNDE BEWEGUNG:

HINWEIS: Deckenventilatoren laufen während des Betriebs häufig unrund, da sie auf einer Gummidichtung montiert sind. Wenn der Ventilator fest an der Decke montiert wäre, würden übermäßige Vibrationen entstehen. Eine Pendelbewegung von wenigen Zentimetern ist akzeptabel und weist nicht auf ein Problem hin.

VENTILATORUNWUCHT VERRINGERN:

Prüfen Sie, ob alle Schrauben zur Befestigung der Halterung und der Deckenstange fest angezogen sind.

HINWEIS: Dieser Ventilator wurde im Werk präzise ausgewuchtet und muss nicht erneut ausgewuchtet werden.

GERÄUSCHE:

In einer ruhigen Umgebung (insbesondere nachts) hören Sie gelegentlich vielleicht leise Geräusche. Leichte Stromschwankungen und Frequenzsignale, die zwecks Warmwasserregulierung außerhalb der Hauptlastzeiten auf das Leitungsnetz übersprechen, können sich auf die Geräuschentwicklung des Ventilatormotors auswirken. Dies ist normal. Bitte haben Sie Geduld. Nach einer „Einlaufzeit“ von 24 Stunden verschwinden die meisten durch einen neuen Ventilator erzeugten Geräusche.

Bitte beachten Sie, dass dies kein Produktfehler ist und somit nicht von der Garantie abgedeckt ist. Alle Elektromotoren sind bis zu einem gewissen Grad hörbar.

PFLEGE UND REINIGUNG

HINWEIS: Schalten Sie vor Reinigungs- und Pflegearbeiten am Ventilator immer die Stromversorgung am Hauptschalter aus.

- Die regelmäßige halbjährliche Reinigung Ihres Deckenventilators ist die einzige Wartung, die erforderlich ist. Benutzen Sie eine weiche Bürste oder ein fusselfreies Tuch, um zu verhindern, dass die Lackierung zerkratzt wird. Schalten Sie die Stromversorgung aus, wenn Sie das Gerät reinigen.
- Tauchen Sie den Deckenventilator NICHT in Wasser oder andere Flüssigkeiten. Dadurch könnten der Motor oder die Rotorblätter beschädigt und möglicherweise ein Stromschlag verursacht werden.
- Achten Sie darauf, dass der Ventilator nicht mit organischen Lösungsmitteln oder Reinigungsmitteln in Berührung kommt.
- Wischen Sie die Rotorblätter nur mit einem feuchten Tuch OHNE organische Lösungsmittel oder Reinigungsmittel sauber.
- Der Motor ist mit einem dauergeschmierten Kugellager versehen. Er muss also nicht geschmiert werden.



SICHERHEITSVORKEHRUNGEN FÜR BATTERIEN

- **WARNUNG** – Halten Sie neue und gebrauchte Batterien von Kindern fern.
- **VORSICHT** - Batterie nicht verschlucken – Verätzungsgefahr.
- Verwenden Sie für die Deckenventilator-Fernbedienung immer 2 Batterien vom Typ AAA.
- Achten Sie darauf, dass die Batterien mit der richtigen Polarität eingelegt sind.
- Um Fehler beim Einsetzen oder Auswechseln der Batterien zu vermeiden, muss der Deckenventilator vom Stromnetz getrennt werden.
- Entfernen Sie die Batterien aus dem Gerät, wenn Sie es über einen längeren Zeitraum nicht benutzen.
- Die Batterien müssen aus der Fernbedienung entfernt werden, bevor sie entsorgt wird.
- Entsorgen Sie verbrauchte Batterien sofort und sicher (sodass sie von Kindern nicht gefunden werden können). Leere Batterien können weiterhin gefährlich sein. Wenden Sie sich an Ihre örtliche Gemeindeverwaltung, um die Batterie sicher zu entsorgen.
- Überprüfen Sie das Produkt regelmäßig und vergewissern Sie sich, dass der Deckel des Batteriefachs richtig befestigt ist. Wenn sich das Batteriefach nicht korrekt schließen lässt, stellen Sie den Gebrauch des Gerätes ein und halten Sie es von Kindern fern.

TECHNISCHE DATEN

Ventilator	48 Zoll Ventilator - Fanaway Veil
Ventilatormodelle/Artikelnummer	LD-48" FAN VE / SKU# 212922, 212923
Nennspannung	220 - 240 VAC, 50 Hz
Nennleistung (Motor)	60 W
Nennleistung (Lampe)	E14, 6 x Max.45W
Gewicht	15,7 kg
Maße der Konsole	H: 55 mm Durchmesser: 130 mm

GARANTIEINFORMATIONEN

IN AUSTRALIEN / NEUSEELAND - Bitte beachten Sie die gesonderte GARANTIEERKLÄRUNG.

IN EUROPA – Wenn Sie ein europäischer Kunde sind, wenden Sie sich bitte an das Geschäft, in dem der Ventilator gekauft wurde, um Garantieleistungen in Anspruch zu nehmen.




F**MERCI POUR VOTRE ACHAT**

Merci d'avoir acheté ce produit de qualité Fanaway. Afin de garantir un fonctionnement correct et sûr, veuillez lire attentivement et respecter toutes les consignes avant d'assembler, d'installer et d'utiliser ce ventilateur de plafond. Veuillez conserver ce mode d'emploi pour pouvoir le consulter ultérieurement.

CONSIGNES DE SÉCURITÉ

1. En Europe : Cet appareil peut être utilisé par des enfants âgés de plus de 8 ans et des personnes ayant des capacités physiques, sensorielles et mentales réduites ou un manque d'expérience et de connaissances sauf si elles sont surveillées ou si elles ont reçu des instructions concernant l'utilisation de l'appareil en toute sécurité et si elles comprennent les dangers encourus. Le nettoyage et l'entretien ne doivent pas être effectués par des enfants sans surveillance.
2. En Australie : Cet appareil n'est pas conçu pour être utilisé par des personnes (y compris des enfants) ayant des capacités physiques, sensorielles et mentales réduites ou un manque d'expérience et de connaissances, sauf si elles sont surveillées ou si elles ont reçu des instructions concernant l'utilisation de l'appareil par une personne responsable de leur sécurité.
3. Il convient de surveiller les enfants pour s'assurer qu'ils ne jouent pas avec l'appareil.
4. Un commutateur de déconnexion multipolaire doit être intégré dans le câblage fixe, conformément aux règles de câblage locales.



5.  Ne jetez pas les appareils électriques avec les déchets municipaux non triés, utilisez des points de collecte séparés. Contactez les autorités locales pour obtenir des informations sur les systèmes de collecte disponibles. Si les appareils électriques sont éliminés dans des décharges ou des dépotoirs, des substances dangereuses risquent de s'infiltrer dans la nappe phréatique et entrer dans la chaîne alimentaire, avec des conséquences néfastes sur votre santé et à votre bien-être.
6. La structure sur laquelle le ventilateur est fixé doit être capable de supporter un poids de 65 kg.
7. Le ventilateur doit être fixé de sorte que les pales soient à au moins 2,3 m au-dessus du sol en Europe ou 2,1 m au-dessus du sol en Australie.
8. Ce ventilateur ne convient que pour une utilisation intérieure. Fixer le ventilateur à un endroit où il est soumis à l'eau ou à l'humidité est dangereux et peut augmenter le risque de dommage, de blessure ou de choc électrique et annule la garantie.
9. Ce produit doit être assemblé et installé par un électricien agréé.
10. **AVERTISSEMENT** : Si vous observez des tremblements ou des oscillations inhabituels, arrêtez immédiatement d'utiliser le ventilateur de plafond et contactez le fabricant, son agent de maintenance ou une personne dûment qualifiée.



11. Le remplacement des pièces du dispositif de suspension de sécurité doit être effectué par le fabricant, son agent de maintenance ou des personnes dûment qualifiées.
12. Les moyens de fixation du ventilateur au plafond, tels que les crochets ou autres dispositifs, doivent être fixés avec une résistance suffisante pour supporter 4 fois le poids du ventilateur de plafond ; le montage du système de suspension doit être effectué par le fabricant, son agent d'entretien ou des personnes dûment qualifiées.

LISTE DES PIÈCES

- Déballez soigneusement votre ventilateur de plafond. Retirez toutes les pièces et le matériel.
- Disposez tous les éléments sur une surface lisse et assurez-vous qu'aucun élément ne manque avant de procéder à l'assemblage. Si des pièces manquent, retournez le produit complet au lieu d'achat afin qu'il soit inspecté ou remplacé.
- Vérifiez si le ventilateur de plafond a été endommagé pendant le transport. N'utilisez/n'installez pas un produit présentant des dommages de quelque nature que ce soit. Retournez le produit dans son intégralité à l'endroit où vous l'avez acheté afin qu'il soit inspecté, réparé ou remplacé.
- Examinez l'ensemble des pièces, vous devez avoir les pièces indiquées dans la liste suivante et sur la Fig. 1 :

1	Support de montage x 1	9	Pales x 4
2	Vis du cache de fixation x 4	10	Mécanisme de rétraction x 1
3	Cache de fixation x 1	11	Support de montage du kit d'éclairage x 1
4	Tige descendante x 1	12	Kit d'éclairage x 1
5	Cache du boîtier de raccordement de la tige descendante x 1	13	Vis de montage x 2
6	Axe de verrouillage x 1	14	Télécommande émettrice et récepteur x 1 kit
7	Goupille x 1	15	Gouttes de décoration x 114
8	Boîtier supérieur x 1	16	Ampoules x 6



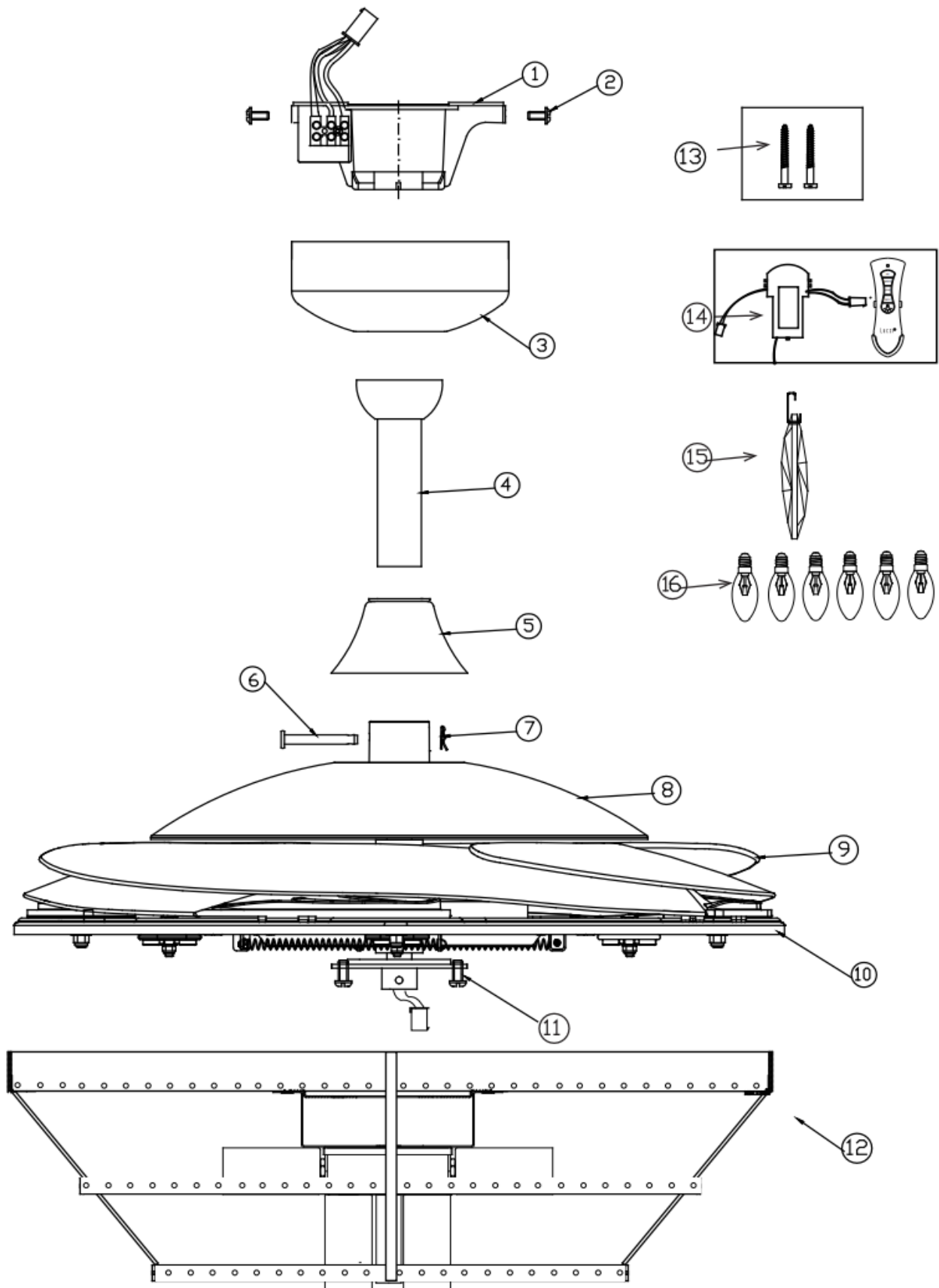
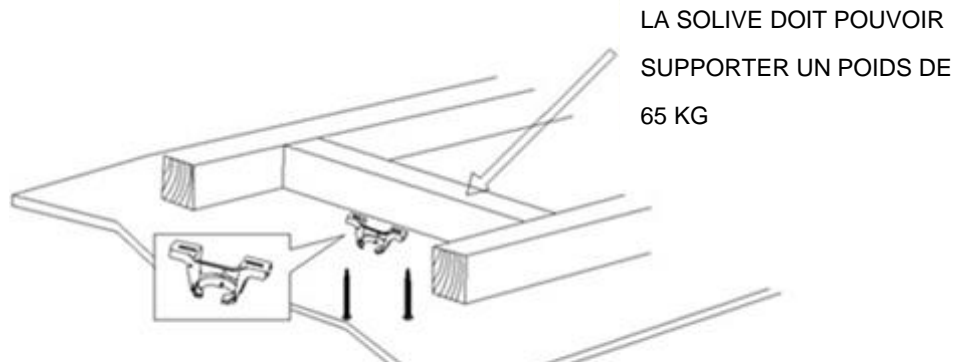


Fig. 1



INSTALLATION DU SUPPORT DE MONTAGE

- Le ventilateur de plafond doit être installé dans un endroit où les extrémités des pales seront éloignées d'au moins 300 mm de tout objet ou mur.
- Installez le support de suspension à la solive de plafond ou à une structure capable de supporter une charge d'au moins 65 kg, à l'aide des deux longues vis fournies. Veillez à ce qu'au moins 30 mm des vis soient vissés dans le support. (Fig. 2)



REMARQUE : CETTE ILLUSTRATION N'EST FOURNIE QU'À
TITRE INDICATIF ET NE REPRÉSENTE PAS LE SUPPORT RÉEL.

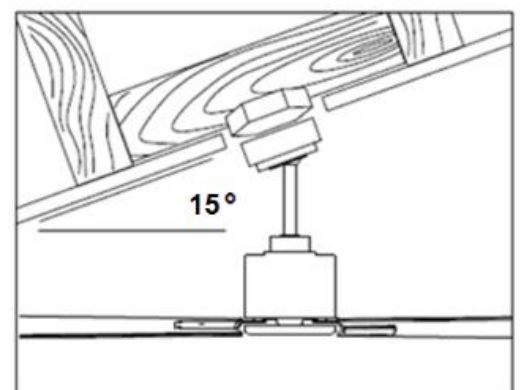
Fig. 2

REMARQUE : Les vis de support fournies conviennent uniquement pour les structures en bois. Pour les structures autres que du bois, un type de vis approprié doit **IMPÉRATIVEMENT** être utilisé. Veillez à ce que les vis utilisées soient adaptées à la surface de montage et à l'environnement.

INSTALLATION SUR PLAFOND INCLINÉ

Ce système de suspension de ventilateur permet une installation sur plafond incliné de 15° de pente au maximum.

Fig. 3



INSTALLATION DU VENTILATEUR

INSTALLATION DE LA TIGE DESCENDANTE (Fig. 4)

1. Enlevez la rotule (2) et la cheville de la tige descendante (5) en desserrant la vis de réglage (3).
Gardez ces pièces, elles seront nécessaires pour le remontage ultérieur.
2. Faites passer les fils et la fiche (1) par la tige descendante (5).
3. Insérez la tige descendante (5) dans le boîtier de raccordement (7), alignez les trous de ce boîtier avec ceux de la tige descendante puis introduisez l'axe de verrouillage (8) et sécurisez de l'autre côté avec la goupille (9).
4. Fixez la tige (5) en serrant les deux vis de réglage (10) sur le raccord (7).
5. Enfilez le cache du boîtier (6) sur le boîtier de la tige descendante (7).
6. Enfilez le cache de fixation (4) sur la tige descendante (5).
7. Réinstallez la rotule et la cheville dans la tige descendante (5) et fixez-les en serrant la vis de réglage (3).

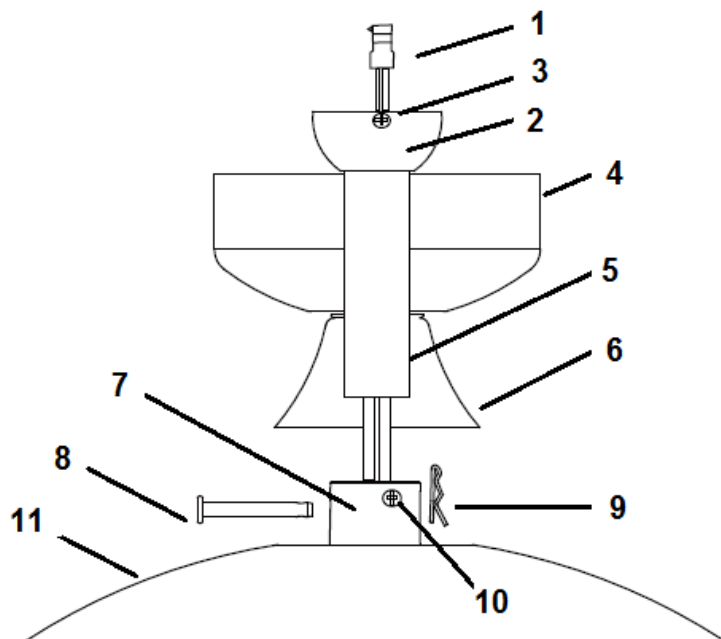


Fig. 4

SUSPENSION DU VENTILATEUR

Soulevez le ventilateur complet pour le placer sur le support de montage. Assurez-vous que l'encoche (A) de la rotule de la suspension est positionnée sur la goupille (B) du support de montage (C) pour empêcher le ventilateur de tourner lorsqu'il fonctionne. (Fig. 5)



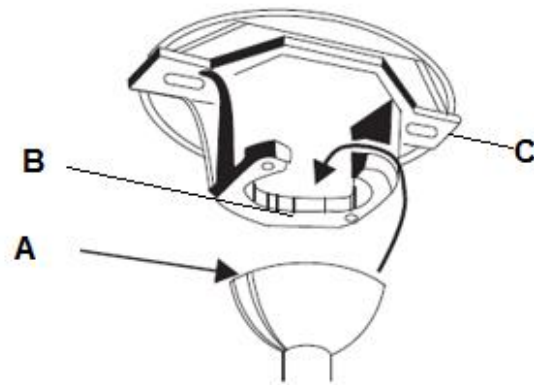


Fig. 5

INSTALLATION DU KIT D'ÉCLAIRAGE

INSTALLATION DU KIT D'ÉCLAIRAGE (Fig. 6 et 7)

1. Dévissez la vis (1) du support du ventilateur. Alignez les 2 vis à tête fendue avec les encoches (2) du support du kit d'éclairage. (Fig. 6)
2. Tournez le kit d'éclairage dans le sens inverse des aiguilles d'une montre jusqu'à ce que les vis à tête fendue soient calées à l'extrémité des encoches (2).
3. Fixez la vis (1) sur le support d'abat-jour. Serrez les 3 vis. Évitez de trop serrer.

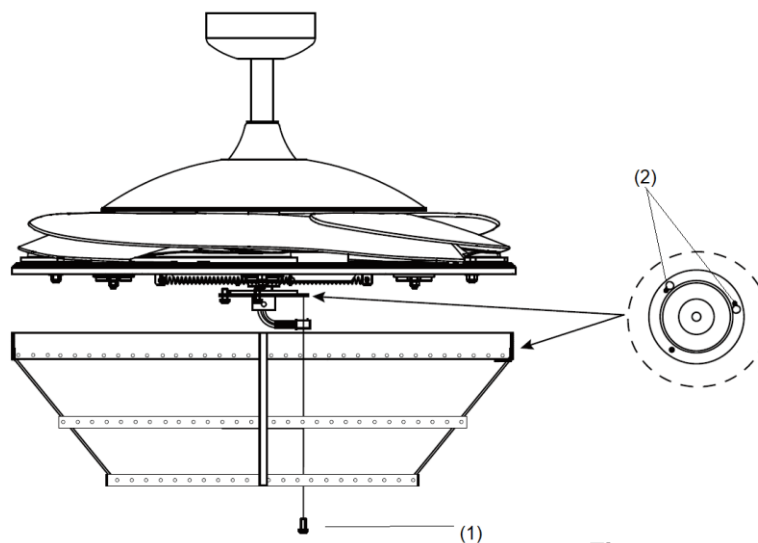


Fig. 6

4. Reliez le connecteur rapide au porte-lampe (3). (Fig. 7)
5. Fixez le porte-lampe (3) au support de kit d'éclairage en serrant les 3 vis (4). Évitez de trop serrer.
6. Installez les ampoules (5) dans les porte-lampes. Ne dépassez pas la puissance nominale maximale.
7. Installez les gouttes de décoration (6) sur le kit d'éclairage.



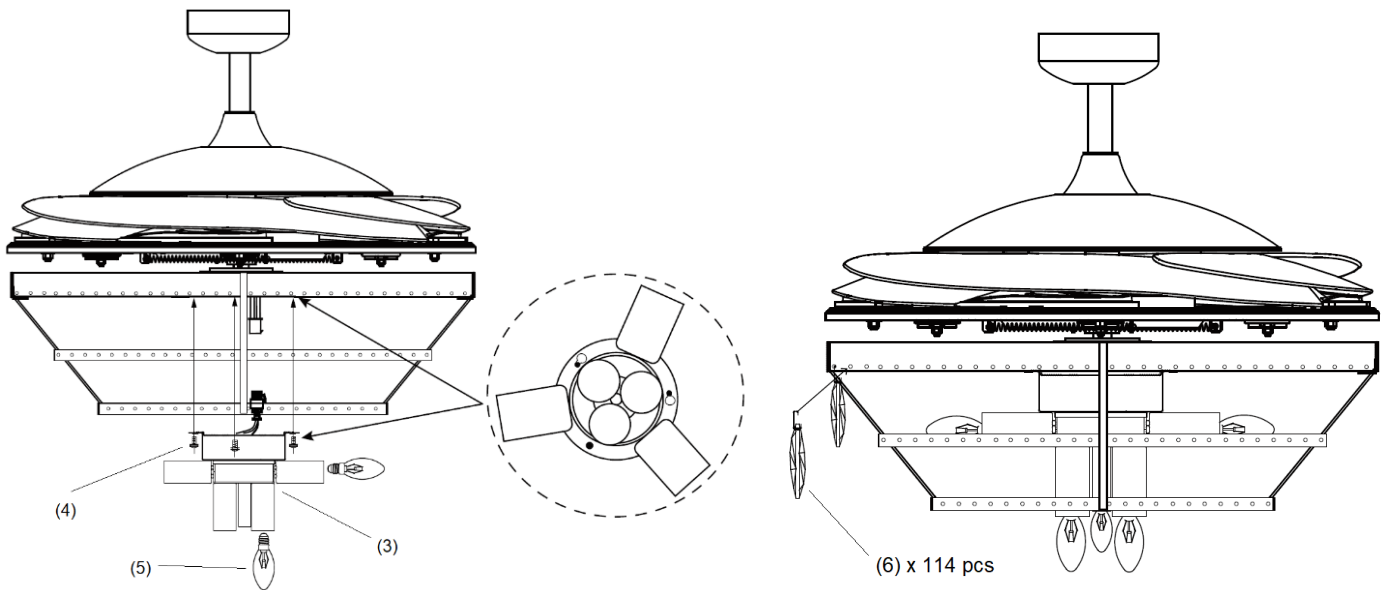



Fig. 7

SCHÉMA DE CÂBLAGE ÉLECTRIQUE DU VENTILATEUR

AVERTISSEMENT : POUR VOTRE SÉCURITÉ, TOUS LES RACCORDEMENTS ÉLECTRIQUES DOIVENT ÊTRE EFFECTUÉS PAR UN ÉLECTRICIEN AGRÉÉ.

REMARQUE : UN COMMUTATEUR DE DÉCONNEXION MULTIPOLAIRE SUPPLÉMENTAIRE DOIT ÊTRE INCLUS DANS LE CÂBLAGE FIXE.

Voir Fig. 8 et instructions ci-dessous pour le câblage du ventilateur.

- Reliez le fil « PHASE » à la borne « L » du bornier sur le support de montage.
- Reliez le fil « NEUTRE » à la borne « N » du bornier sur le support de montage.
- Reliez le fil « TERRE » à la borne «  » du bornier sur le support de montage.
- Accrochez le ventilateur (voir « Suspension du ventilateur » Fig. 5, page 6).
- Reliez le connecteur rapide du support (étiquette 1) au connecteur rapide d'entrée d'alimentation du récepteur (étiquette 2) ;
- Reliez le connecteur rapide de sortie du récepteur (étiquette 3) au connecteur rapide du ventilateur (étiquette 4).
- Insérez avec précaution le récepteur de la télécommande au-dessus de la boule de suspension dans l'espace restant du support de montage. Faites attention à ne pas détacher ou endommager les différents branchements (étiquette 5 et Fig. 9).



Entrée
d'alimentation
220-240 V CA

Terre
N (Neutre)
L (Phase)

Jaune/Vert
Bleu
Marron

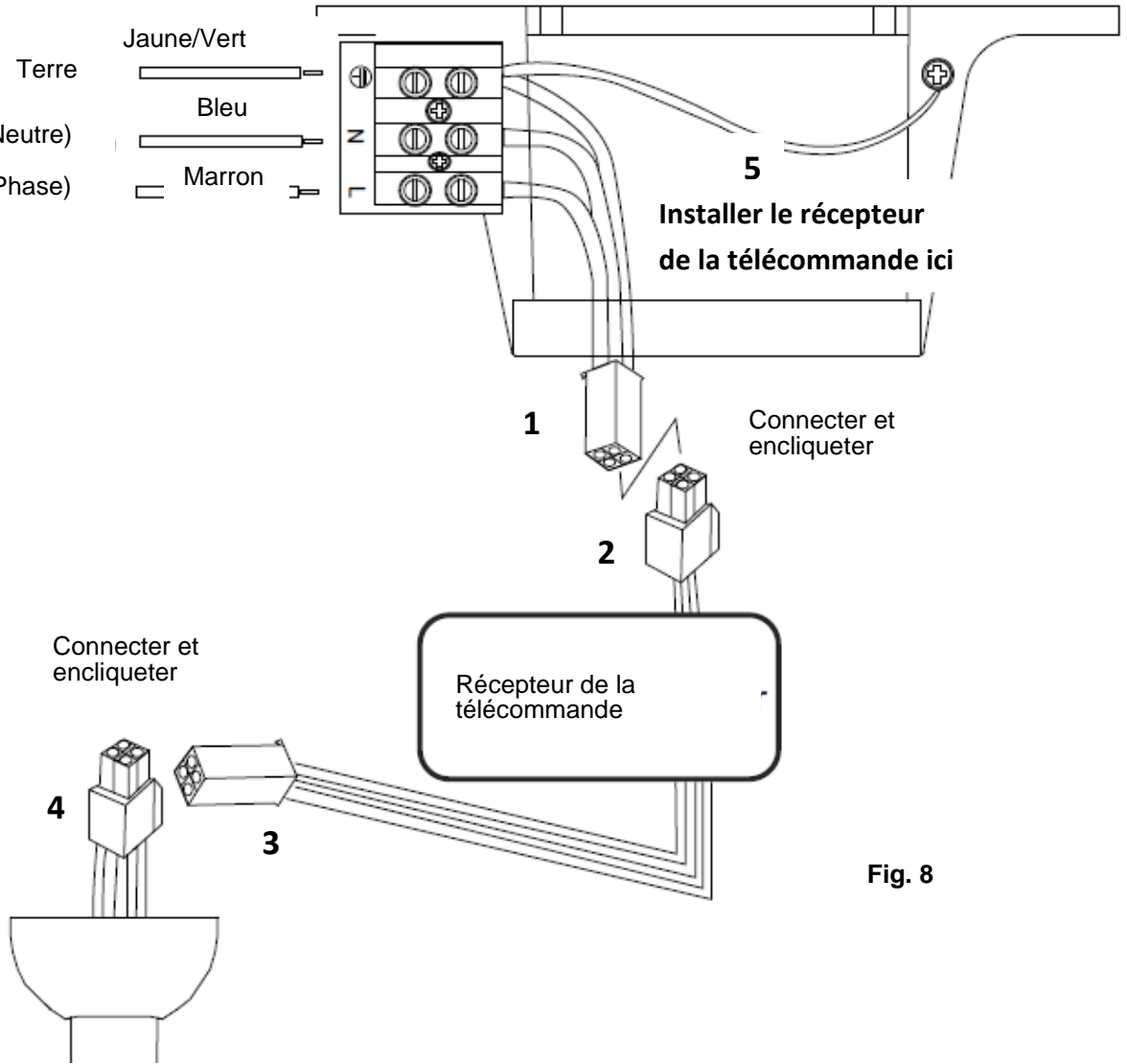


Fig. 8

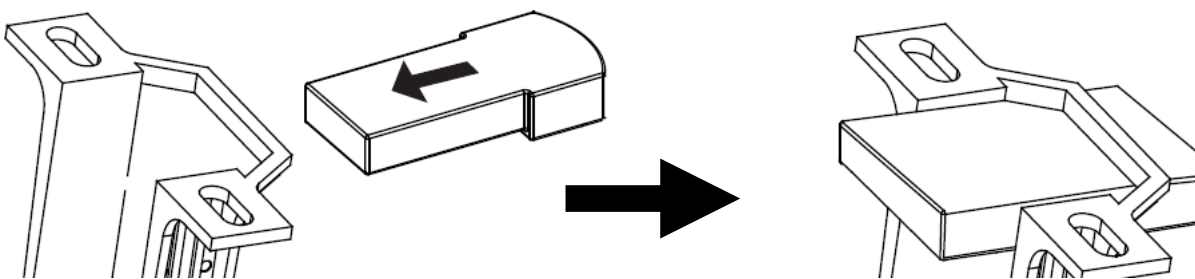


Fig. 9



FINALISATION DE L'INSTALLATION

- Après avoir effectué les branchements électriques au niveau du bornier du support de montage, reliez le câblage du ventilateur de plafond au connecteur rapide.
- Assurez-vous que le câblage à la terre est sécurisé et bien fait, en effectuant un test de continuité de mise à la terre du corps et de la base de la lampe en métal accessibles du ventilateur à la borne de la terre du bornier sur le support de montage.
- Couvrez le support de montage avec le cache. Veillez à placer tous les câblages électriques dans le cache et à ne pas les endommager durant cette étape. Fixez le cache sur le support de suspension avec les vis fournies. (Fig. 10)
- Mettez le ventilateur sous tension. Testez le bon fonctionnement de votre ventilateur ou utilisez-le directement, en suivant les instructions de la section « UTILISATION DE VOTRE VENTILATEUR DE PLAFOND » du présent mode d'emploi.

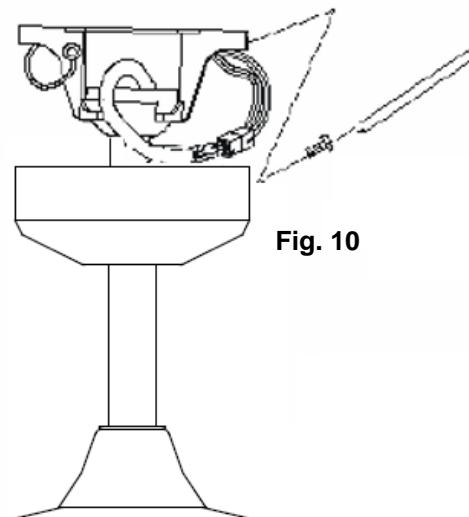


Fig. 10

UTILISATION DE VOTRE VENTILATEUR DE PLAFOND

Ce ventilateur de plafond est contrôlé par la télécommande. L'appareil comporte 4 boutons (HI, MED, LOW, OFF) de contrôle de la vitesse du ventilateur, et un bouton marche/arrêt pour l'éclairage. **Fig. 13**

Avant de commencer à utiliser la télécommande, veuillez noter les points suivants :

- La télécommande fonctionne avec 2 piles de type AAA 1,5 V. Ôtez le couvercle du compartiment des piles situé au dos de la télécommande, et insérez 2 piles AAA. Assurez-vous que les polarités correspondent à celles indiquées dans le compartiment des piles. (Fig. 11) (Piles non fournies.)
- La télécommande (émetteur) et le récepteur doivent être configurés par appariement afin de pouvoir communiquer entre eux. Pour ce faire, mettez les interrupteurs DIP du récepteur et de la télécommande sur le même réglage. (Fig. 12)

Remarque : L'ensemble d'interrupteurs DIP comporte 4 interrupteurs permettant la configuration de 16 combinaisons différentes de codes de transmission. Ce système est pratique lorsqu'il y a plus d'1



paire télécommande/récepteur fonctionnant à proximité ou dans la même pièce.

Remarque : Pour accéder aux interrupteurs DIP du récepteur, ôtez le couvercle indiqué.



Fig. 11 Compartiment des piles de la télécommande

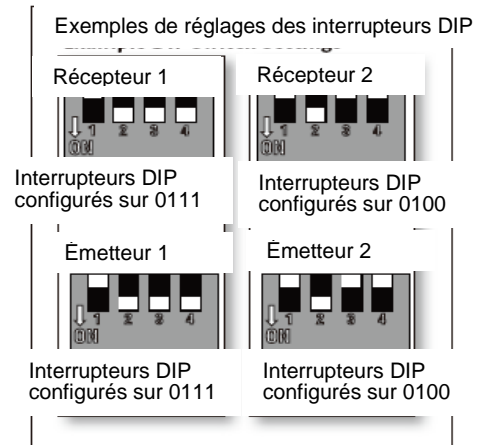


Fig. 12 Interrupteur DIP du récepteur

FONCTIONNEMENT DE LA TÉLÉCOMMANDE :

Avant de commencer à utiliser la télécommande, prenez le temps de lire cette section et de vous familiariser avec les boutons et leurs fonctions.

Témoin LED

Le témoin LED rouge situé sur le dessus de l'émetteur clignote lorsque les boutons sont actifs.

BOUTONS DE LA TÉLÉCOMMANDE

HI : Appuyez sur ce bouton pour faire tourner le ventilateur à vitesse rapide.

MED : Appuyez sur ce bouton pour faire tourner le ventilateur à vitesse intermédiaire.

LOW : Appuyez sur ce bouton pour faire tourner le ventilateur à vitesse faible.

OFF : Appuyez sur ce bouton pour éteindre le ventilateur.

: Appuyez sur ce bouton pour allumer/éteindre l'éclairage.



Fig. 13

INSTALLATION DU SUPPORT DE LA TÉLÉCOMMANDE (Fig. 15)

1. Repérez un mur adéquat ou autre surface pour fixer le support mural de la télécommande.
2. Enlevez le cache des vis, installez le support à l'aide des 2 vis puis remettez le cache en place. (Fig. 15a).
3. Glissez la télécommande dans le support. (Fig. 15b).

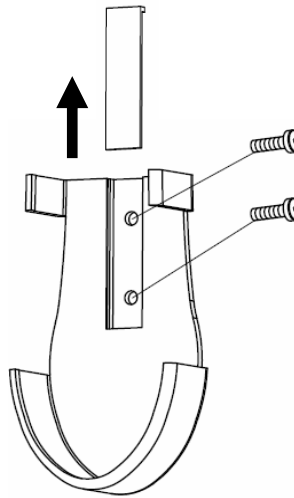


Fig. 15a

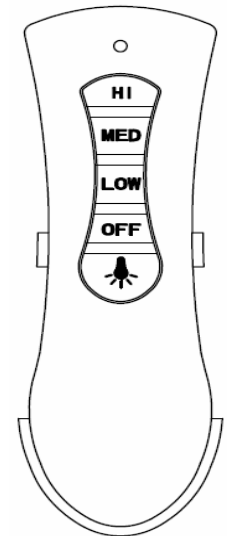


Fig. 15b

FONCTION INVERSION (Fig. 15)

Votre ventilateur de plafond peut fonctionner soit en mode été, soit en mode hiver.

Mode ÉTÉ : Mettez l'interrupteur d'inversion sur SUMMER (été) pour faire tourner le ventilateur dans le sens inverse des aiguilles d'une montre. Le flux d'air est dirigé vers le bas pour rafraîchir la pièce en été.

Mode HIVER : Mettez l'interrupteur d'inversion sur WINTER (hiver) pour faire tourner le ventilateur dans le sens des aiguilles d'une montre. Le flux d'air est alors dirigé vers le haut pour favoriser la circulation de l'air chaud et donc la conservation de l'énergie en hiver.

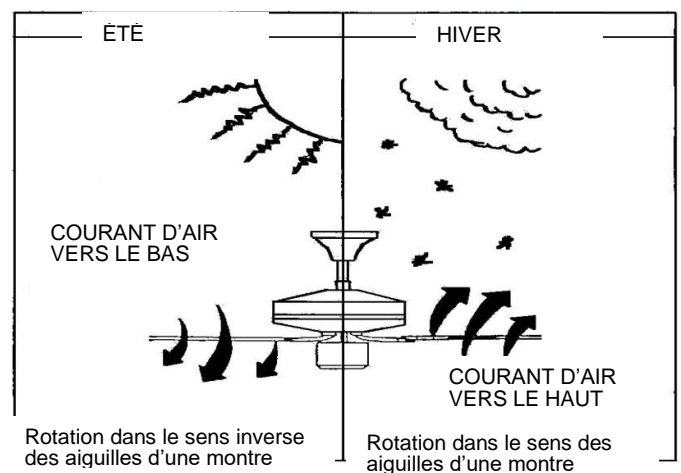
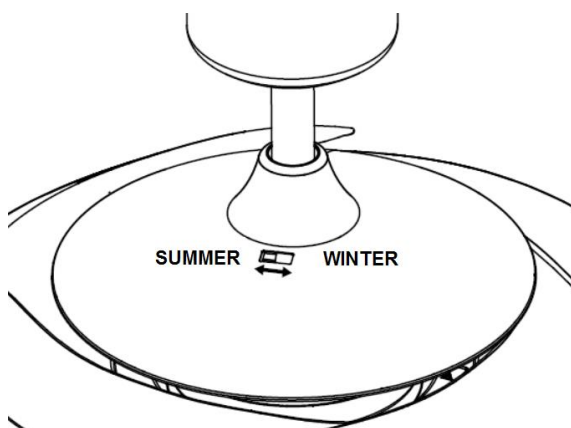


Fig. 15



APRÈS L'INSTALLATION

TREMBLEMENTS :

REMARQUE : Les ventilateurs de plafond ont tendance à bouger pendant leur fonctionnement du fait qu'ils sont montés sur un œillet en caoutchouc. Si le ventilateur était monté de façon rigide au plafond, cela causerait des vibrations excessives. Un mouvement de quelques centimètres est acceptable et N'INDIQUE PAS UN PROBLÈME.

POUR RÉDUIRE LES TREMBLEMENTS DU VENTILATEUR :

Veillez vérifier que toutes les vis qui fixent le support de fixation et la tige de suspension sont bien serrées.

REMARQUE : Ce ventilateur a fait l'objet d'un équilibrage de précision en usine et n'a donc pas besoin d'être rééquilibré.

BRUIT :

Lorsque l'ambiance est calme (en particulier la nuit), il se peut que vous entendiez de faibles bruits occasionnels. De légères fluctuations de l'alimentation électrique et des signaux de fréquence superposés dans l'électricité pour le contrôle de la production d'eau chaude en période creuse peuvent entraîner un changement du bruit du moteur du ventilateur. Ce phénomène est normal. Veuillez prévoir une période de « rodage » de 24 heures : la plupart des bruits associés à un ventilateur neuf disparaissent pendant cette période.

Veillez noter que cela n'indique pas un défaut du produit et n'est donc pas couvert par la garantie : tous les moteurs électriques sont plus ou moins audibles.

ENTRETIEN ET NETTOYAGE

REMARQUE : Coupez toujours l'alimentation au niveau de l'interrupteur secteur avant tout entretien ou toute tentative de nettoyage du ventilateur.

- Le seul entretien requis est un nettoyage tous les 6 mois de votre ventilateur de plafond. Utilisez une brosse à poils souples ou un chiffon non pelucheux pour éviter de rayer la peinture. Veuillez couper l'alimentation secteur lors de cette opération.
- Ne trempez pas ou n'immergez pas le ventilateur de plafond dans l'eau ou dans d'autres liquides. Cela pourrait endommager le moteur ou les pales et créer un risque de choc électrique.
- Veillez à ce que le ventilateur n'entre pas en contact avec des solvants organiques ou des détergents.
- Pour nettoyer les pales du ventilateur, essuyez-les avec un chiffon propre et humide seulement, sans solvant organique ni détergent.
- Le moteur dispose d'un roulement à billes lubrifié en permanence, il n'y a donc pas besoin de l'huiler.



CONSIGNES DE SÉCURITÉ CONCERNANT LES PILES

- **AVERTISSEMENT** – Tenez les piles neuves et usées hors de portée des enfants.
- **ATTENTION** – N'ingérez pas les piles, risque de brûlure chimique.
- Utilisez toujours 2 piles de type AAA avec la télécommande de ce ventilateur de plafond.
- Les piles doivent être insérées en respectant les polarités.
- Afin d'éviter une mise en marche inattendue pendant l'insertion ou le remplacement des piles, ce ventilateur de plafond doit être débranché de l'alimentation secteur.
- Retirez les piles du produit lorsqu'il n'est pas utilisé pendant longtemps.
- Les piles doivent être retirées de la télécommande avant d'être jetées.
- Jetez les piles épuisées immédiatement et de manière sécurisée (afin qu'elles ne puissent pas être récupérées par des enfants). Les piles usées restent dangereuses. Contactez les autorités locales pour éliminer les piles en toute sécurité.
- Vérifiez régulièrement le produit et assurez-vous que le couvercle du compartiment des piles est bien fermé. Si le compartiment des piles ne peut pas être fermé solidement, cessez d'utiliser le produit et maintenez-le hors de portée des enfants.

INFORMATIONS TECHNIQUES

Ventilateur	Ventilateur 48" – Fanaway Orbit
Modèles de ventilateur/SKU#	LD-48" FAN VE/SKU# 212922, 212923
Tension nominale	220-240 V~ 50 Hz
Puissance nominale (moteur)	60 W
Puissance nominale (ampoule)	E14, 6 x 45 W max.
Poids	15,7 kg
Dimensions du cache	H : 55 mm Dia : 130 mm

INFORMATIONS SUR LA GARANTIE

EN AUSTRALIE/NOUVELLE-ZÉLANDE – Veuillez vous référer à la DÉCLARATION DE GARANTIE séparée.
EN EUROPE – Si vous êtes un client européen, veuillez contacter le magasin d'achat du ventilateur afin de faire valoir la garantie.




E

GRACIAS POR SU COMPRA

Gracias por adquirir este producto de Fanaway de alta calidad. Antes de montar, instalar y usar este ventilador de techo y para garantizar el funcionamiento correcto y seguro, lea y siga atentamente todas las instrucciones. Conserve estas instrucciones para cualquier consulta posterior.

MEDIDAS DE SEGURIDAD

1. En Europa: Este aparato puede ser utilizado por niños a partir de 8 años de edad y por personas con minusvalías físicas, sensoriales o mentales, o que no cuenten con la experiencia y los conocimientos necesarios, siempre que estén supervisados o hayan sido instruidos sobre el uso seguro del aparato y entiendan los peligros que conlleva. Las tareas de limpieza y mantenimiento no podrán ser realizadas por niños sin la debida supervisión.
2. En Australia: Este aparato no ha sido diseñado para ser utilizado por personas (niños incluidos) con discapacidades físicas, sensoriales o mentales, o que no cuenten con la experiencia o los conocimientos necesarios, a menos que sean supervisados o hayan sido instruidos en el uso apropiado del aparato por una persona responsable de su seguridad.
3. Se debe supervisar a los niños para asegurarse de que no juegan con el aparato.
4. Se debe incorporar un interruptor de desconexión omnipolar en el cableado fijo siguiendo el reglamento local sobre cableados eléctricos.
5.  No deseche los aparatos eléctricos en la basura general sin clasificar, utilice los puntos de recogida selectiva.. Póngase en contacto con las autoridades locales para que le informen sobre los sistemas de recogida disponibles. De acabar en los vertederos o basureros, los aparatos eléctricos pueden desprender sustancias nocivas que podrían contaminar las aguas subterráneas y entrar en la cadena alimenticia, con el consecuente peligro para la salud y el bienestar.
6. La estructura a la que el ventilador debe montarse debe ser capaz de soportar 65 kg de peso.
7. El ventilador deberá montarse de tal manera que las aspas estén, como mínimo, a una altura de 2,3 m del suelo en Europa o de 2,1 m en Australia.
8. Este ventilador solamente es apto para uso en interiores. Montar el ventilador en un lugar donde esté expuesto al agua o la humedad es peligroso y podría aumentar el riesgo de daños, lesiones o descargas eléctricas, invalidando así la garantía.
9. Debe ser montado e instalado por un electricista acreditado.
10. ADVERTENCIA: Si se observara un movimiento inusual de oscilación o bamboleo, deje de usar el ventilador de techo inmediatamente y póngase en contacto con el fabricante, su servicio técnico o personas debidamente cualificadas.
11. La sustitución de las piezas del sistema de suspensión de seguridad deberá llevarla a cabo el fabricante,



el servicio técnico o personas debidamente cualificadas.

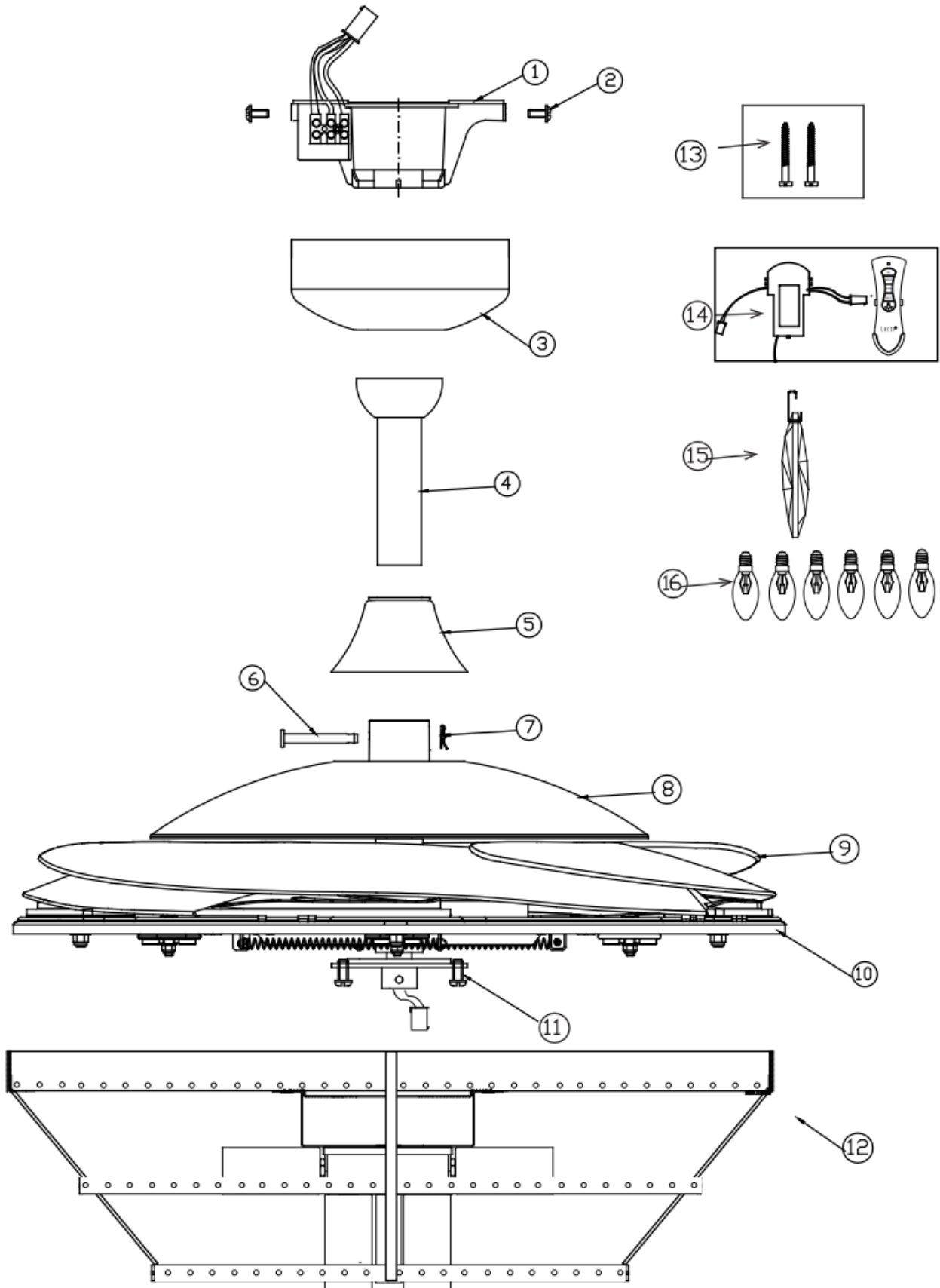
12. Los elementos para sujetarlo al techo, como ganchos u otros elementos, deberán fijarse con suficiente firmeza para soportar 4 veces el peso del ventilador de techo. El montaje del sistema de suspensión deberá efectuarlo el fabricante, su servicio técnico o personas debidamente cualificadas.

LISTA DE PIEZAS

- Desembale el ventilador de techo con cuidado. Saque todas las piezas y la tornillería.
- Deposite todos los componentes sobre una superficie lisa y asegúrese de que no falte ninguno antes de comenzar el montaje. Si falta alguna pieza, devuelva el producto completo al lugar donde realizó la compra para que lo examinen o reemplacen.
- Compruebe que el ventilador de techo no haya sufrido algún daño durante el transporte. Nunca utilice o instale un producto que parezca sufrir algún daño. Devuelva el producto completo al lugar donde realizó la compra para que lo examinen, reparen o reemplacen.
- Compruebe que tiene todas las piezas que aparecen en la siguiente lista y en la Img. 1:

1	1 Soporte de techo	9	4 Aspas
2	4 Tornillos del florón	10	1 Mecanismo de retracción
3	1 Florón	11	1 Soporte de montaje del kit de iluminación
4	1 Tubo colgante	12	1 Kit de luz
5	1 Embellecedor de acoplamiento del tubo colgante	13	2 Tornillos de instalación
6	1 Pasador de bloqueo	14	1 juego de Receptor de la señal remota y mando a distancia
7	1 Pasador de escotilla	15	114 Lágrimas decorativas
8	1 Carcasa superior	16	Bombillas x 6



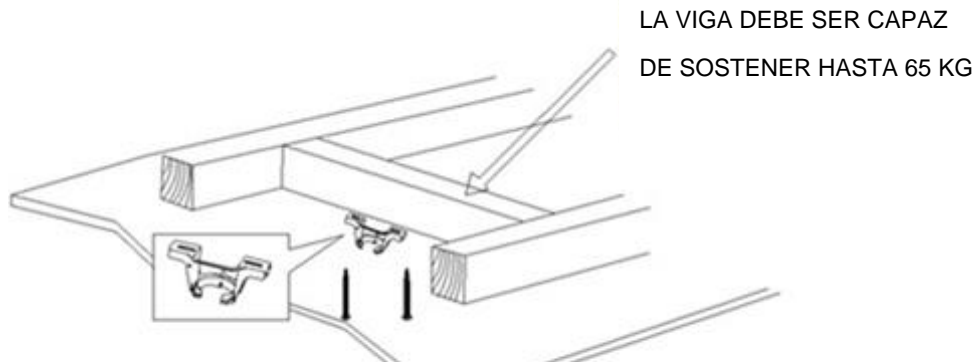


Img. 1



INSTALACIÓN DEL SOPORTE DE MONTAJE

- El ventilador de techo debe instalarse en un lugar donde las puntas de las aspas estén a una distancia mínima de 300 mm de las paredes y los objetos más cercanos.
- Con los dos tornillos largos suministrados, instale el soporte de montaje sobre una viga o una estructura capaz de soportar al menos 65 kg. Asegúrese de enroscar los tornillos 30 mm como mínimo en el punto de instalación. (Img. 2)



NOTA: ESTA IMAGEN SOLO SE MUESTRA A MODO DE REFERENCIA Y NO ES UNA REPRESENTACIÓN DEL SOPORTE REAL

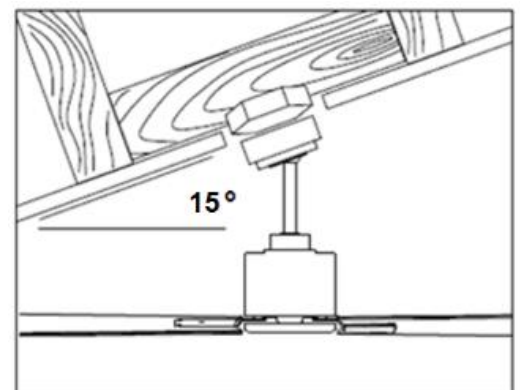
Img. 2

NOTA: Los tornillos del soporte suministrados solo deben usarse con estructuras de madera. Para estructuras diferentes a la madera, **DEBERÁ** utilizarse el tipo de tornillo adecuado. Asegúrese de que los tornillos sean los apropiados para la superficie de montaje y su alrededor.

INSTALACIÓN EN UN TECHO INCLINADO

Este ventilador con sistema colgante puede ser instalado en un techo con una inclinación máxima de 15 grados.

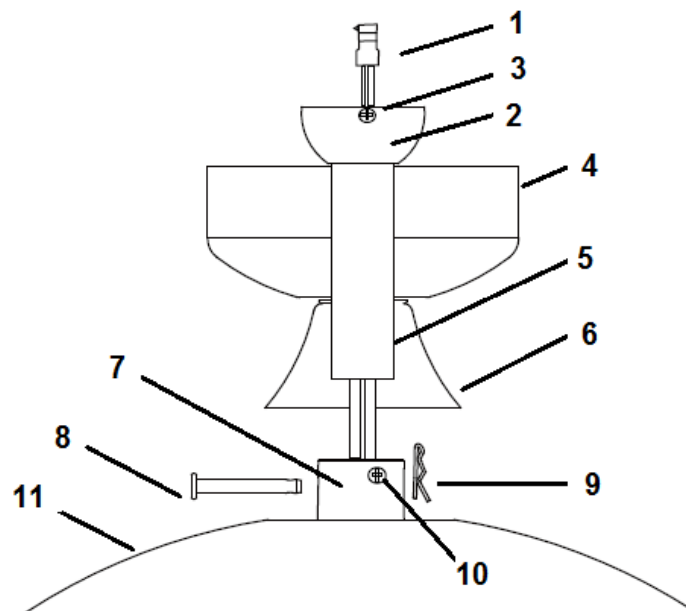
Img. 3



INSTALACIÓN DEL VENTILADOR

INSTALACIÓN DEL TUBO COLGANTE (Imq. 4)

1. Quite la junta esférica (2) y el pasador de espiga del tubo colgante (5) aflojando el tornillo de fijación (3). No se deshaga de estas piezas, dado que se requerirán para volver a montarlo posteriormente.
2. Introduzca los cables y el conector (1) a través del tubo colgante (5).
3. Inserte el tubo colgante (5) en la carcasa de acoplamiento del tubo colgante (7); alinee los orificios de la carcasa de acoplamiento del tubo con los orificios del tubo colgante e inserte el pasador de bloqueo (8) y asegúrelo con el pasador de escotilla (9).
4. Asegure el tubo colgante (5) apretando los dos tornillos de ajuste (10) sobre el acoplamiento (7).
5. Deslice el embellecedor (6) sobre el tubo colgante (7) para cubrir la estructura del tubo colgante (7).
6. Deslice el florón (4) sobre el tubo colgante (5).
7. Vuelva a instalar la junta esférica y el pasador de espiga en el tubo colgante (5) y apriete el tornillo de fijación (3) para asegurarlo.

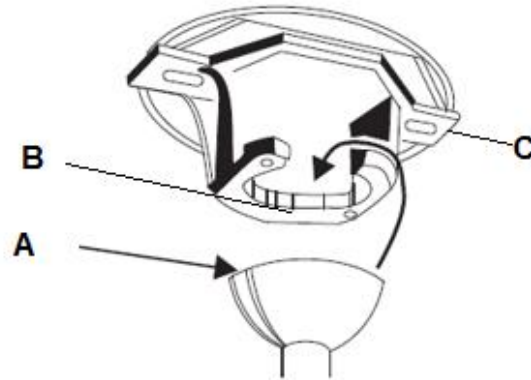


Imq. 4

CÓMO COLGAR EL VENTILADOR

Alce el conjunto del ventilador para colgarlo en el soporte de techo. Asegúrese de que la ranura (A) de la bola de suspensión esté posicionada sobre el pasador (B) del soporte de techo (C) para evitar la rotación del ventilador cuando esté funcionando. (Imq. 5)



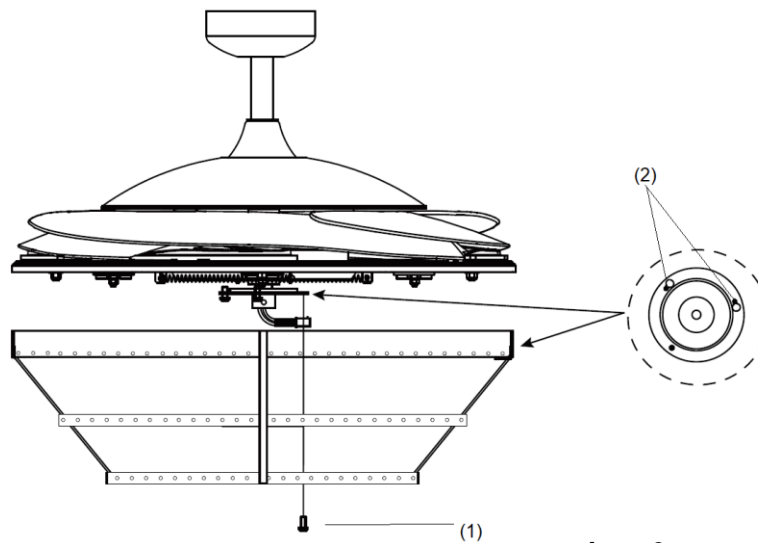


Img. 5

INSTALACIÓN DE LA LÁMPARA

INSTALACIÓN DE LA LÁMPARA (Imágenes 6 y 7)

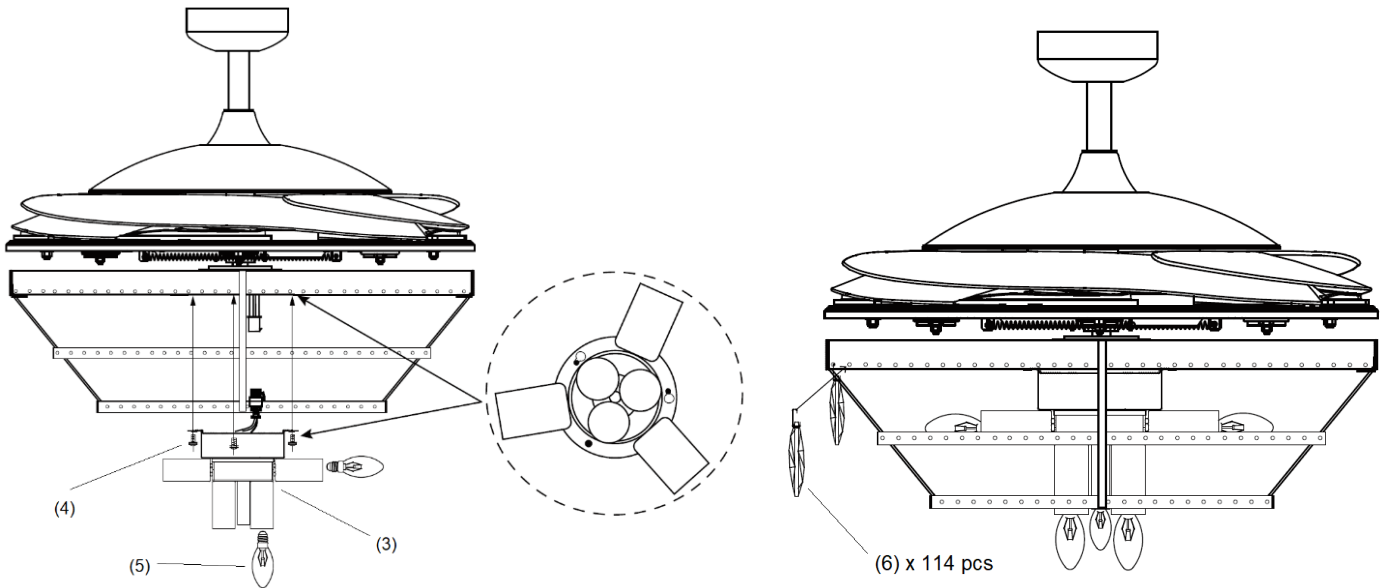
1. Afloje el tornillo (1) del soporte del ventilador. Alinee los dos tornillos de cabeza ranurada con las ranuras de llave (2) del soporte de la lámpara. (Imagen 6)
2. Gire la lámpara en el sentido antihorario hasta que los tornillos de cabeza ranurada estén correctamente posicionados en los extremos de las ranuras (2).
3. Vuelva a apretar el tornillo (1) al soporte de la pantalla. Apriete los tres tornillos. No apriete en exceso.



Img. 6

4. Conecte el conector rápido a la parte del portalámparas (3). (Img. 7)
5. Asegure el portalámparas (3) al soporte del kit de iluminación apretando los 3 tornillos (4). No apriete en exceso.
6. Instale las bombillas (5) en los portalámparas. No exceda la potencia nominal máxima.
7. Instale las lágrimas decorativas (6) en el kit de iluminación.





Img. 7

DIAGRAMA DEL CABLEADO ELÉCTRICO DEL VENTILADOR

ADVERTENCIA: POR SU SEGURIDAD, TODAS LAS CONEXIONES ELÉCTRICAS DEBERÁ REALIZARLAS UN ELECTRICISTA ACREDITADO.

NOTA: EL CABLEADO DEBERÁ INCORPORAR UN INTERRUPTOR DE DESCONEXIÓN OMNIPOLAR ADICIONAL.

Consulte la imagen 8 más abajo para conectar los cables del ventilador.

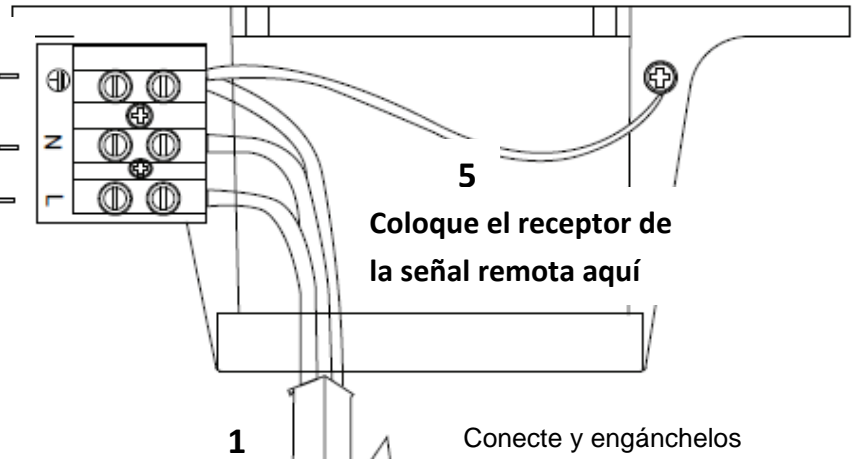
- Conecte el cable de "FASE" a la "L" en la regleta de conexiones del soporte.
- Conecte el cable "NEUTRO" de la corriente a la "N" en la regleta de conexiones del soporte.
- Conecte el cable de tierra "EARTH" a "⊕" en la regleta de conexiones del soporte.
- Cuelgue el ventilador (consulte "Cómo colgar el ventilador" en la página 6, imagen 5).
- Conecte el conector rápido del soporte (1) al conector rápido de la entrada de corriente del receptor (2).
- Conecte el conector rápido de la salida del receptor (3) al conector rápido del ventilador (4).
- Inserte con cuidado el receptor de la señal remota por encima de la junta esférica e introdúzcalo en el espacio restante dentro del soporte de techo. Procure no dañar o aflojar ninguno de los cables. (5 e imagen 9).



Alimentación
220-240 Vac

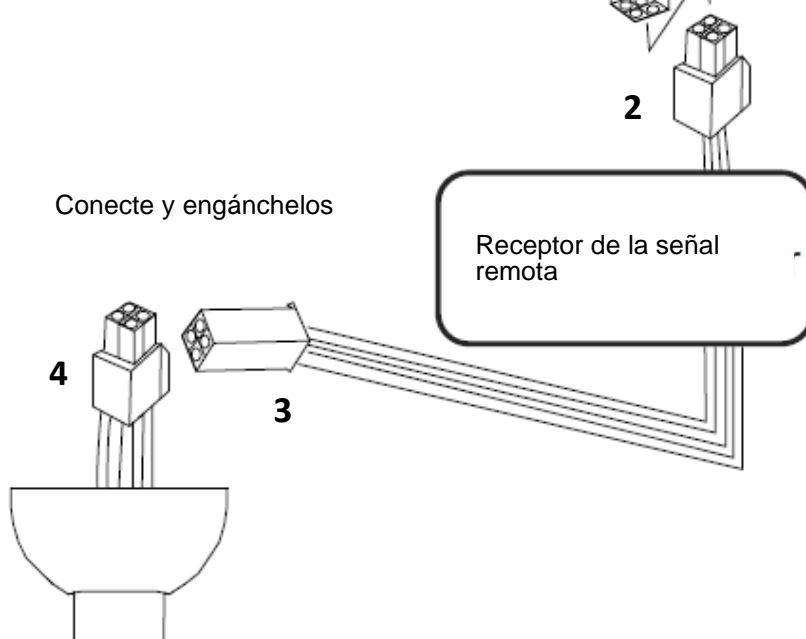
Conexión
a Tierra
N (Neutro)
L (Fase)

Amarillo/ Verde
Azul
Marrón



5
Coloque el receptor de
la señal remota aquí

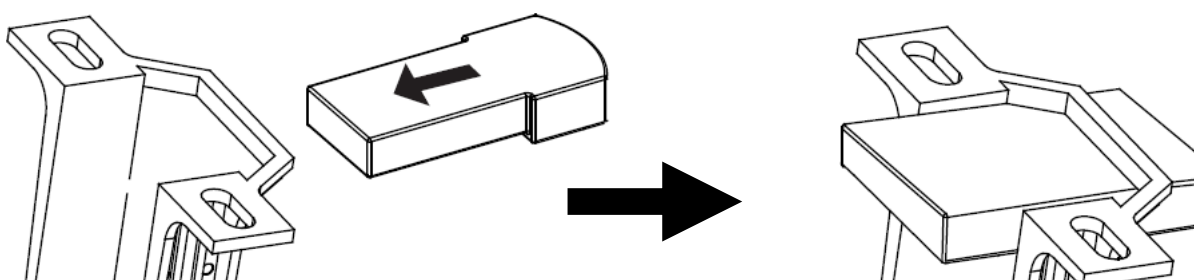
Conecte y engánchelos



Conecte y engánchelos

Receptor de la señal
remota

Img. 8

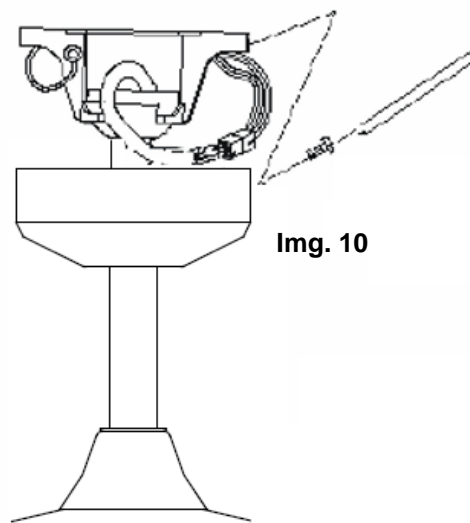


Img. 9



CÓMO FINALIZAR LA INSTALACIÓN

- Una vez completadas las conexiones eléctricas en la regleta de conexiones del soporte de montaje, conecte el cableado del ventilador de techo mediante el conector rápido.
- Asegúrese de que el cableado de tierra sea seguro y correcto mediante la realización de una prueba de continuidad de tierra desde el cuerpo metálico accesible del ventilador y la base de la lámpara hasta el terminal de tierra de la regleta de conexiones del soporte de montaje.
- Cubra el soporte de montaje con el florón. Asegúrese de que todo el cableado eléctrico quede insertado dentro del florón y de que los cables no se dañen durante este paso. Fije el florón al soporte de techo utilizando los tornillos suministrados. (Imagen 10)
- Active el suministro eléctrico al ventilador. Pruebe las funciones o disfrute del ventilador siguiendo las instrucciones del apartado “CÓMO USAR SU VENTILADOR DE TECHO” del manual.



CÓMO USAR SU VENTILADOR DE TECHO

Su ventilador de techo está controlado por un mando a distancia. Hay 4 botones (HI, MED, LOW, OFF) para controlar la velocidad del ventilador y un botón para encender o apagar la luz. **Imagen 13**

Antes de usar el mando a distancia, se debe tener en cuenta lo siguiente:

- El mando a distancia funciona con 2 pilas tipo AAA de 1,5 V. Retire la tapa del compartimento de las pilas ubicada en la parte posterior del mando de distancia e inserte 2 pilas tipo AAA. Asegúrese de que el sentido de la polaridad sea el indicado en el compartimento de la batería. (Img. 11) (Pilas no incluidas).
- El mando a distancia (transmisor) y el receptor deben configurarse para emparejar la comunicación entre ellos. Esto se consigue ajustando el conjunto de interruptores DIP del receptor y del mando a distancia al mismo valor. (Img. 12)

Nota: El conjunto de interruptores DIP dispone de 4 interruptores que pueden combinarse en 16 códigos de transmisión diferentes. Esto resulta práctico cuando el mando a distancia está emparejado

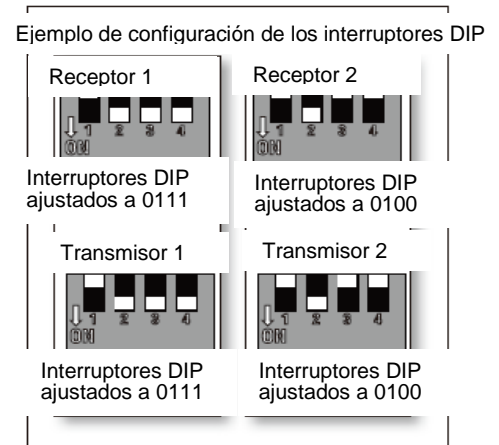


a más de 1 mando/receptor en el mismo lugar o habitación.

Nota: Para acceder a los interruptores DIP, retire la tapa del conjunto de interruptores DIP.



Img. 11 Compartimento de las pilas del mando a distancia



Img. 12 Conjunto de interruptores DIP del receptor

CÓMO USAR EL MANDO A DISTANCIA:

Antes de empezar a utilizar el mando a distancia, dedique un tiempo a leerse esta sección y familiarizarse con los botones y la función de cada botón.

Indicador led

El indicador led rojo en la parte superior del transmisor parpadeará cuando se pulse algún botón.

BOTONES DEL MANDO A DISTANCIA

HI: Pulse este botón para ajustar el ventilador a una velocidad alta.

MED: Pulse este botón para ajustar el ventilador a una velocidad media.

LOW: Pulse este botón para ajustar el ventilador a una velocidad baja.

OFF: Pulse este botón para apagar el ventilador.

: Pulse este botón para encender o apagar la luz.

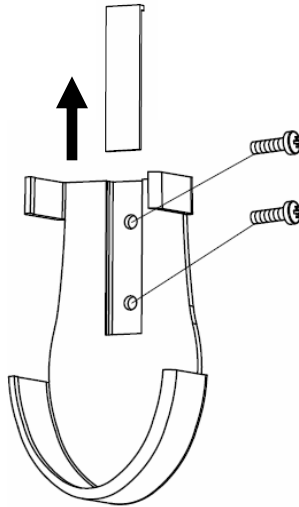


Img. 13

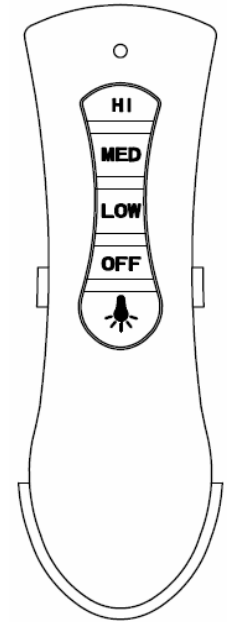
El mando a distancia tiene una función de memoria. Si el ventilador o la luz son apagadas desde el interruptor de desconexión, memorizará y recuperará su último estado cuando vuelva a encenderla.

INSTALACIÓN DEL PORTAMANDOS (Imagen 15)

1. Elija un lugar apropiado de una pared o superficie para fijar el portamandos.
2. Quite la tapa de los tornillos e instale el portamandos con los 2 tornillos; y vuelva a poner la tapa de los tornillos. (Imagen 15a).
3. Introduzca el mando a distancia en el portamandos. (Img. 15b).



Img. 15a



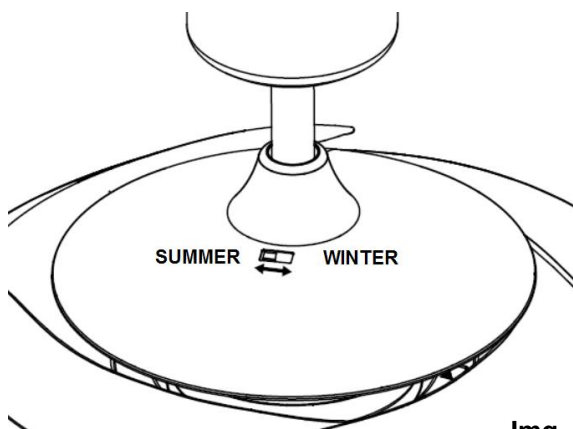
Img. 15b

FUNCIÓN DE CAMBIO DE SENTIDO (Imq. 15)

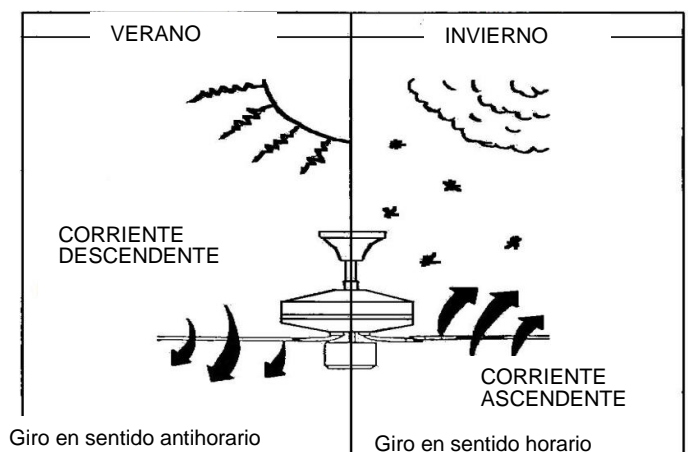
Su ventilador de techo puede funcionar en el modo de verano o invierno.

Modo VERANO: El interruptor de cambio de sentido deberá estar en la posición SUMMER (verano) para hacer girar el ventilador en sentido antihorario. El flujo de aire se dirigirá hacia abajo para refrigerar durante el verano.

Modo INVIERNO: El interruptor de cambio de sentido deberá estar en la posición WINTER (invierno) para que el ventilador gire en sentido horario. El flujo de aire se dirigirá hacia arriba para ayudar a circular el aire caliente y ahorrar consumo durante el invierno.



Img. 15



DESPUÉS DE LA INSTALACIÓN

BAMBOLEO:

NOTA: Los ventiladores de techo tienden a moverse cuando están en funcionamiento debido a que están montados sobre una arandela de goma. Si el ventilador estuviera montado rígidamente al techo, generaría demasiadas vibraciones. Un movimiento de unos pocos centímetros es bastante aceptable y NO indica que haya un problema.

CÓMO REDUCIR EL BAMBOLEO DEL VENTILADOR:

Compruebe que todos los tornillos que fijan el soporte de techo del ventilador y el tubo colgante estén bien apretados.

NOTA: Este ventilador viene de fábrica, equilibrado con precisión y no necesita ser equilibrado de nuevo.

RUIDO:

En los momentos silenciosos (sobre todo por la noche), puede que en ocasiones escuche ruidos tenues. Leves fluctuaciones de la corriente y frecuencias de señales superpuestas en la corriente para el control del agua caliente durante horas no puntas pueden causar cambios en el ruido del motor del ventilador. Esto es algo normal. Permita un periodo de adaptación de 24 horas. Tras este periodo, la mayoría de los ruidos asociados con su nuevo ventilador deberían haber desaparecido.

Entienda que esto no es un fallo del producto y por tanto no está cubierto por la garantía –todos los motores eléctricos generan cierto ruido.

CUIDADO Y LIMPIEZA

NOTA: Apague siempre el ventilador desde el cuadro eléctrico antes de llevar a cabo cualquier tarea de mantenimiento o limpieza.

- El único mantenimiento que requiere su ventilador de techo es una limpieza cada 6 meses. Utilice un cepillo blando o un paño que no deje pelusa para no rayar el acabado de pintura. Corte la corriente de la red cuando haga esto.
- No moje ni sumerja el ventilador de techo en agua u otros líquidos. Esto podría dañar el motor o las aspas y dar pie a posibles descargas eléctricas.
- Asegúrese de que el ventilador no entre en contacto con disolventes orgánicos o detergentes.
- Para limpiar las aspas del ventilador, basta con pasar un paño humedecido SIN usar disolventes orgánicos ni detergentes.
- El motor tiene un rodamiento con lubricación permanente, por lo que no es necesario engrasarlo.

MEDIDAS DE SEGURIDAD CON LA PILA

- **ADVERTENCIA** – Mantenga las pilas nuevas y usadas fuera del alcance de los niños.
- **PRECAUCIÓN** – No ingerir las pilas - Riesgo de quemaduras químicas.
- Utilice siempre 2 pilas tipo AAA con el mando a distancia del ventilador de techo.
- Asegúrese de instalar las pilas con la polaridad correcta.



- Para evitar el funcionamiento accidental del ventilador de techo al instalar o sustituir las pilas, desconéctelo de la corriente.
- Retire las pilas del producto cuando no lo vaya a utilizar durante un largo periodo de tiempo.
- Las pilas deben retirarse del mando a distancia antes de desecharlo.
- Deseche las pilas agotadas inmediatamente y de forma segura (para que no puedan acabar en manos de los niños). Las pilas pueden suponer un peligro. Póngase en contacto su ayuntamiento para deshacerse de las pilas de una manera segura.
- Revise periódicamente el producto y asegúrese de que la tapa del compartimento de las pilas esté bien asegurada. Si el compartimento de la pila no se cierra correctamente, deje de usar el producto y guárdelo en un lugar fuera del alcance de los niños.

INFORMACIÓN TÉCNICA

Ventilador	Ventilador de 48" – Fanaway Veil
Modelos de ventilador / SKU#	LD-48" FAN VE / SKU# 212922, 212923
Tensión nominal	220-240 V~ 50 Hz
Potencia nominal (motor)	60 W
Potencia nominal (lámpara)	E14, 6 x Max.45W
Peso	15.7kg
Dimensiones del florón	Altura: 55 mm Ø: 130 mm

INFORMACIÓN SOBRE LA GARANTÍA

EN AUSTRALIA Y NUEVA ZELANDA – Por favor, consulte la DECLARACIÓN DE LA GARANTÍA que viene por separado.

EN EUROPA – Si es un cliente europeo, contacte con la tienda distribuidora donde adquirió el ventilador para obtener los servicios de garantía.






GRAZIE PER L'ACQUISTO

Grazie per aver acquistato questo prodotto Fanaway di alta qualità. Per assicurare un funzionamento corretto e sicuro, leggere attentamente tutte le istruzioni prima di assemblare, installare e usare questo ventilatore a soffitto. Conservare le istruzioni per futuro riferimento.

NORME DI SICUREZZA

1. In Europa: questo apparecchio può essere utilizzato da persone (compresi i bambini di età superiore a 8 anni) con ridotte capacità fisiche, sensoriali o mentali oppure prive di esperienza o conoscenza del prodotto, purché supervisionate o istruite sull'uso sicuro dell'apparecchio e consapevoli di tutti i rischi correlati. Le operazioni di pulizia e manutenzione ordinaria non devono essere effettuate da bambini non supervisionati.
2. In Australia: Questo apparecchio non deve essere usato da persone (compresi i bambini) con ridotte capacità fisiche, sensoriali o mentali o prive di esperienza o conoscenza del prodotto, a meno che non siano sorvegliate o siano state istruite sull'uso dell'apparecchio da una persona responsabile della loro sicurezza.
3. Sorvegliare i bambini per accertarsi che non giochino con l'apparecchio.
4. Nel cablaggio fisso deve essere incluso un interruttore onnipolare, secondo quanto previsto dalle norme di cablaggio locali.



5.  Non smaltire apparecchi elettrici come rifiuti urbani indifferenziati, utilizzare le strutture di raccolta differenziata. Contattare le autorità locali per informazioni sui sistemi di raccolta disponibili. Se gli apparecchi elettrici vengono gettati nelle discariche, le sostanze pericolose che contengono possono infiltrarsi nella falda freatica ed entrare nella catena alimentare, con effetti nocivi su salute e benessere.
6. La struttura su cui verrà installato il ventilatore deve essere in grado di sostenere un peso di 65 kg.
7. Il ventilatore deve essere installato in modo tale che le pale siano ad almeno 2,3 metri di altezza dal pavimento in Europa o 2,1 metri in Australia.
8. Questo ventilatore è destinato al solo uso in interni. L'installazione del ventilatore in una posizione esposta ad acqua o umidità è pericolosa, può aumentare il rischio di danni, lesioni o scossa elettrica e comporta l'annullamento della garanzia.
9. Il ventilatore deve essere assemblato e installato da un elettricista professionista.
10. **AVVERENZA:** in caso di oscillazioni anomale, interrompere immediatamente l'uso del ventilatore a soffitto e contattare il costruttore, un suo centro di assistenza o un tecnico qualificato.
11. La sostituzione delle parti del sistema di sospensione di sicurezza deve essere effettuata dal costruttore, da un suo centro di assistenza o da un tecnico qualificato.



12. I dispositivi di fissaggio del ventilatore al soffitto, ad esempio i ganci, devono essere in grado di sostenere 4 volte il peso del ventilatore; l'installazione del sistema di sospensione deve essere effettuata dal costruttore, da un suo centro di assistenza o da un tecnico qualificato.

ELENCO DELLE PARTI

- Disimballare il ventilatore con attenzione. Estrarre tutti i componenti e gli accessori.
- Disporre il contenuto su una superficie piana e, prima dell'assemblaggio, assicurarsi che siano presenti tutti i componenti. In caso di componenti mancanti, riportare il prodotto presso il rivenditore affinché venga ispezionato o sostituito.
- Verificare che il ventilatore non abbia subito danni durante il trasporto. Non usare/installare il prodotto se presenta danni di qualsiasi tipo. Riportare il prodotto completo presso il rivenditore affinché venga ispezionato, riparato o sostituito.
- Esaminare tutti i componenti e verificare che corrispondano a quelli elencati di seguito e illustrati in Fig. 1.

1	Staffa di supporto x1	9	Pale x4
2	Viti per calotta x4	10	Meccanismo di retrazione x1
3	Calotta x1	11	Staffa di supporto del kit luce x1
4	Asta x1	12	Kit luce x1
5	Copertura del raccordo dell'asta x1	13	Viti di montaggio x2
6	Perno di bloccaggio x1	14	Telecomando e ricevitore x1 set
7	Coppiglia x1	15	Gocce decorative x114
8	Copertura superiore x1	16	Lampadine x 6



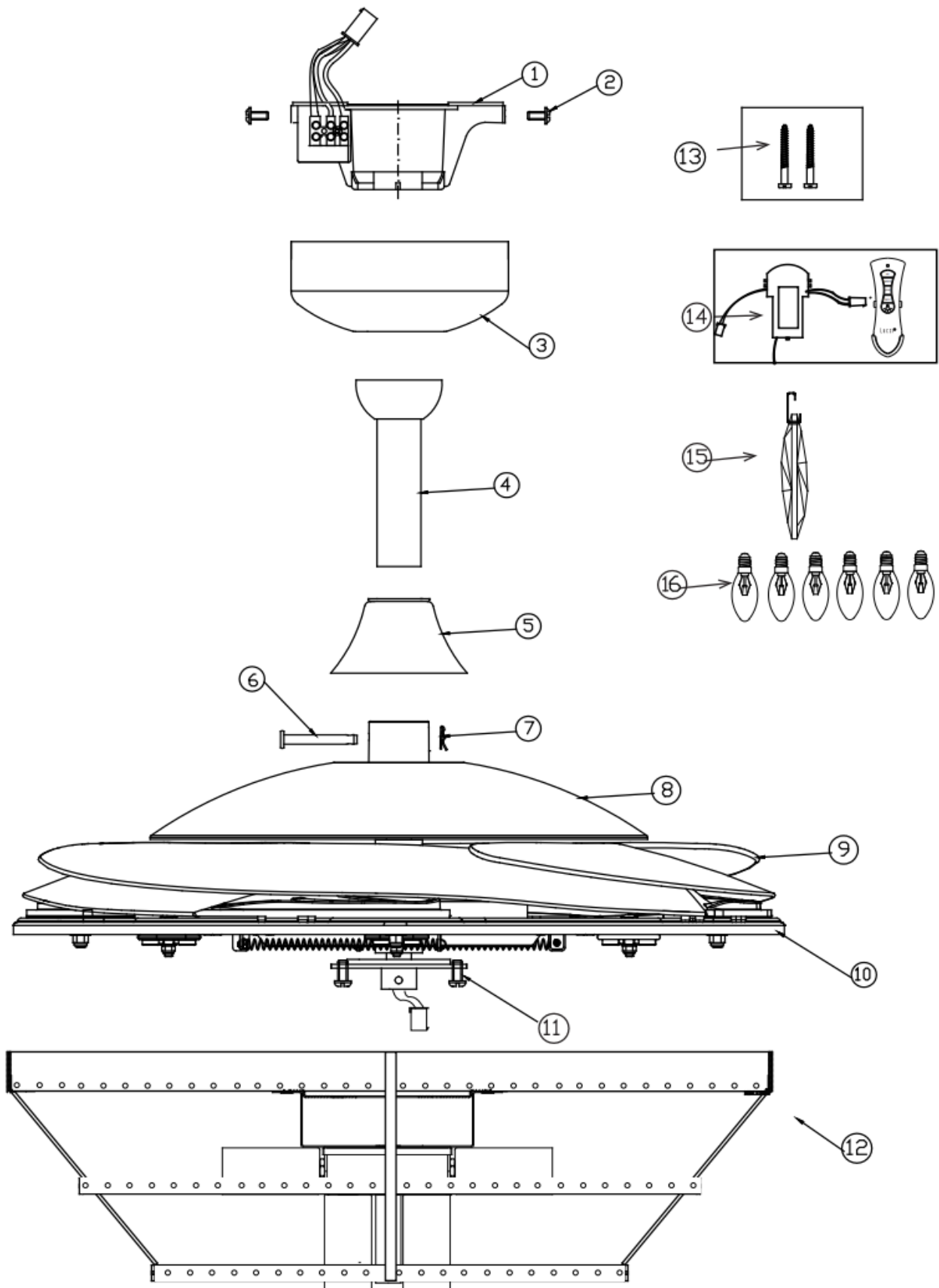


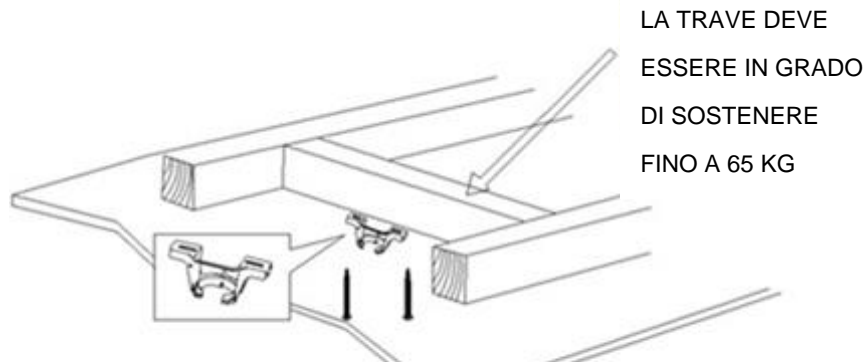
Fig. 1



This fan is suitable for indoor use only.

INSTALLAZIONE DELLA STAFFA DI SUPPORTO

- Il ventilatore a soffitto deve essere installato in modo tale che le estremità delle pale siano ad almeno 300 mm di distanza da pareti o oggetti adiacenti.
- Fissare la staffa di supporto a una struttura o una trave del soffitto in grado di sostenere un carico di almeno 65 kg con le due viti lunghe fornite. Assicurarsi che almeno 30 mm della vite siano inseriti nella struttura (Fig. 2).



NOTA: L'IMMAGINE È A SOLO SCOPO ILLUSTRATIVO E
NON RAPPRESENTA LA STAFFA REALE.

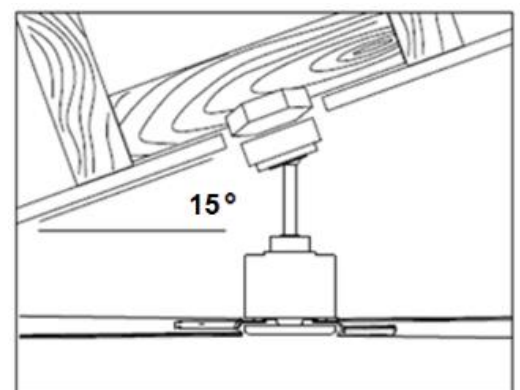
Fig. 2

NOTA: le viti di supporto fornite sono destinate esclusivamente a strutture in legno. Per strutture diverse dal legno, è **OBBLIGATORIO** usare viti di tipo appropriato. Assicurarsi che le viti utilizzate siano adatte alla superficie di installazione e all'ambiente circostante.

INSTALLAZIONE ANGOLATA

Questo sistema di montaggio consente di installare il ventilatore al soffitto con un angolo massimo di 15 gradi.

Fig. 3



INSTALLAZIONE DEL VENTILATORE

ASSEMBLAGGIO DELL'ASTA (Fig. 4)

1. Rimuovere il giunto sferico (2) e il perno dall'asta (5) allentando la vite di fissaggio (3).
Non gettare tali parti perché saranno necessarie in seguito per il riassetto.
2. Inserire i cavi e la spina (1) attraverso l'asta (5).
3. Inserire l'asta (5) nel raccordo dell'asta (7); allineare i fori del raccordo con i fori dell'asta, quindi inserire il perno di bloccaggio (8) e fissarlo con la coppiglia (9).
4. Fissare l'asta (5) serrando le due viti di fissaggio (10) sul raccordo (7).
5. Fare scorrere la copertura (6) lungo l'asta (7) fino a coprire il raccordo dell'asta (7).
6. Fare scorrere la calotta (4) lungo l'asta (5).
7. Reinstallare il giunto sferico (5) e il perno sull'asta (3) e fissarli serrando la vite di fissaggio (3).

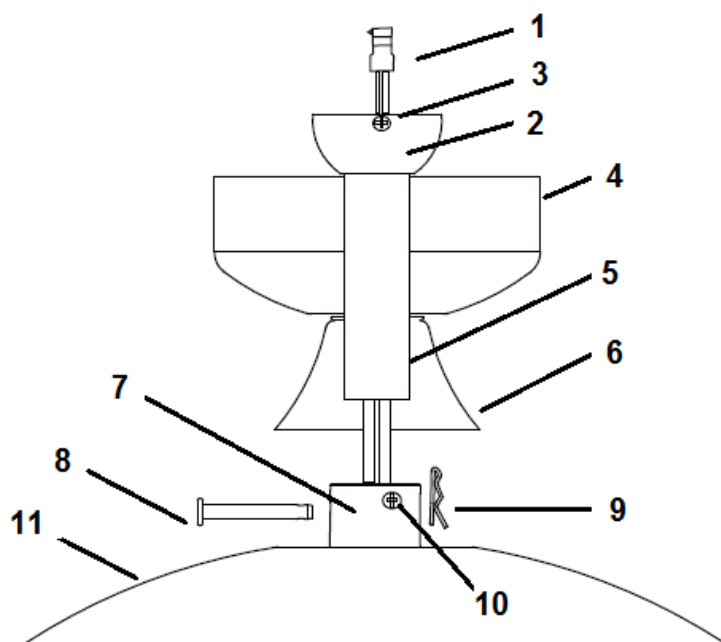


Fig. 4

FISSAGGIO DEL VENTILATORE

Sollevarre il ventilatore sulla staffa di supporto. Assicurarsi che la fessura (A) del giunto sferico sia posizionata sul perno (B) della staffa di supporto (C), in modo tale da evitare che il ventilatore ruoti quando è in funzione (Fig. 5)

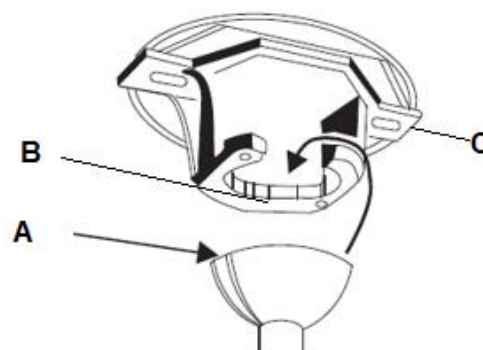


Fig. 5



INSTALLAZIONE DEL KIT LUCE

INSTALLAZIONE DEL KIT LUCE (Fig. 6 e 7)

1. Allentare la vite (1) dal supporto sul ventilatore. Allineare le due viti con i fori (2) sulla staffa del kit luce (7) (Fig. 6).
2. Ruotare il kit luce in senso antiorario finché le viti non sono fissate saldamente all'estremità delle fessure (2).
3. Fissare la vite (1) al supporto del paralume. Serrare tutte le tre viti. Non avvitarle eccessivamente.

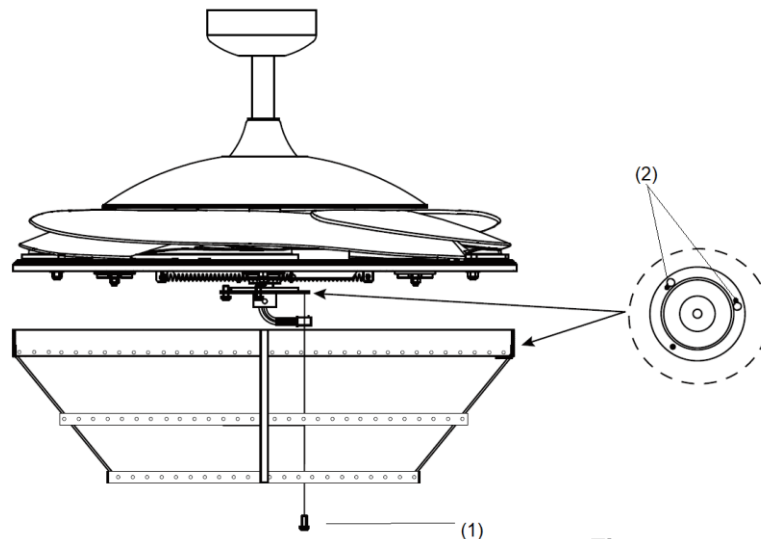


Fig. 6

4. Collegare il connettore rapido al portalampada (3) (Fig. 7).
5. Fissare il portalampada (3) alla staffa del kit luce serrando le 3 viti (4). Non avvitarle eccessivamente.
6. Installare le lampadine (5) sui portalampada. Non superare la potenza in ingresso massima.
7. Installare le gocce decorative (6) sul kit luce.

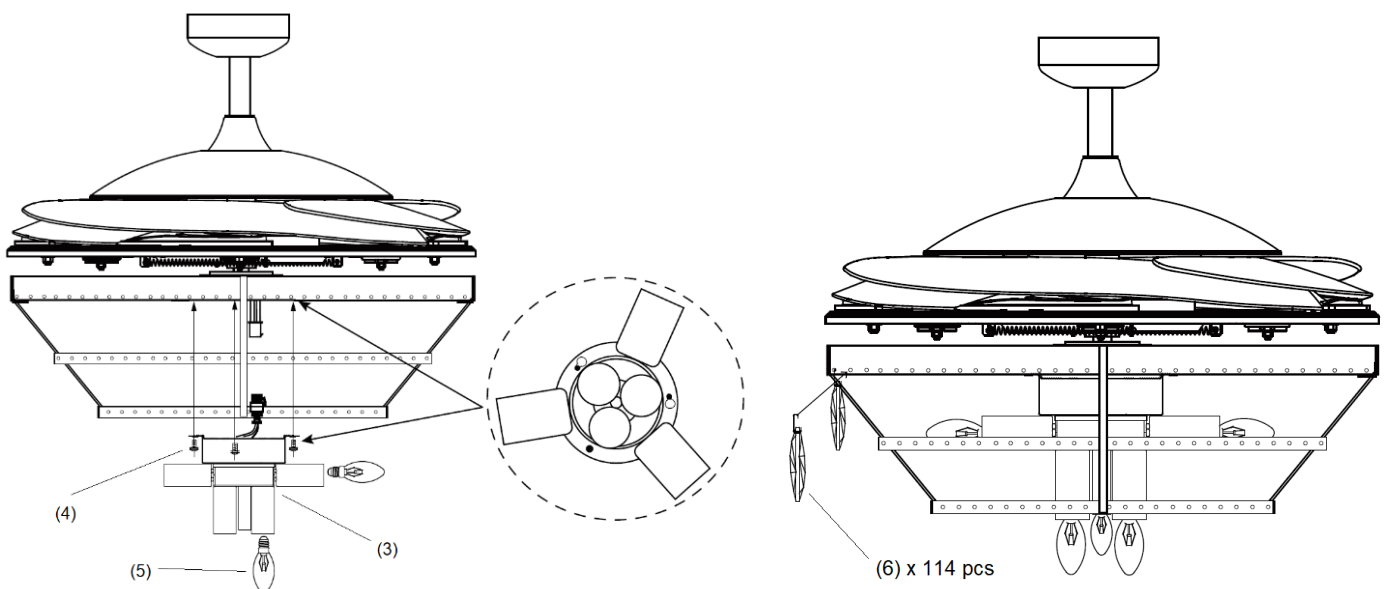


Fig. 7




SCHEMA DI CABLAGGIO

AVVERTENZA: PER LA PROPRIA SICUREZZA, TUTTI I COLLEGAMENTI ELETTRICI DEVONO ESSERE EFFETTUATI DA UN ELETTRICISTA PROFESSIONISTA.

NOTA: L'IMPIANTO ELETTRICO DEVE ESSERE PROTETTO DA UN INTERRUTTORE DIFFERENZIALE.

Fare riferimento alla Fig. 8 per il collegamento elettrico del ventilatore.

- Collegare il cavo di FASE al terminale "L" della morsettiera sulla staffa di supporto.
- Collegare il cavo di NEUTRO al terminale "N" della morsettiera sulla staffa di supporto.
- Collegare il cavo di TERRA al terminale  della morsettiera sulla staffa di supporto.
- Fissare il ventilatore alla staffa di supporto (consultare la sezione "Fissaggio del ventilatore" e la Fig. 5 a pagina 6).
- Collegare il connettore rapido della staffa (1) al connettore rapido di ingresso del ricevitore (2).
- Collegare il connettore rapido di uscita del ricevitore (3) al connettore rapido del ventilatore (4).
- Inserire con attenzione il ricevitore del telecomando sopra il giunto sferico, nello spazio rimanente all'interno della staffa di supporto. Fare attenzione a non danneggiare o allentare alcun cavo (5 e Fig. 9).

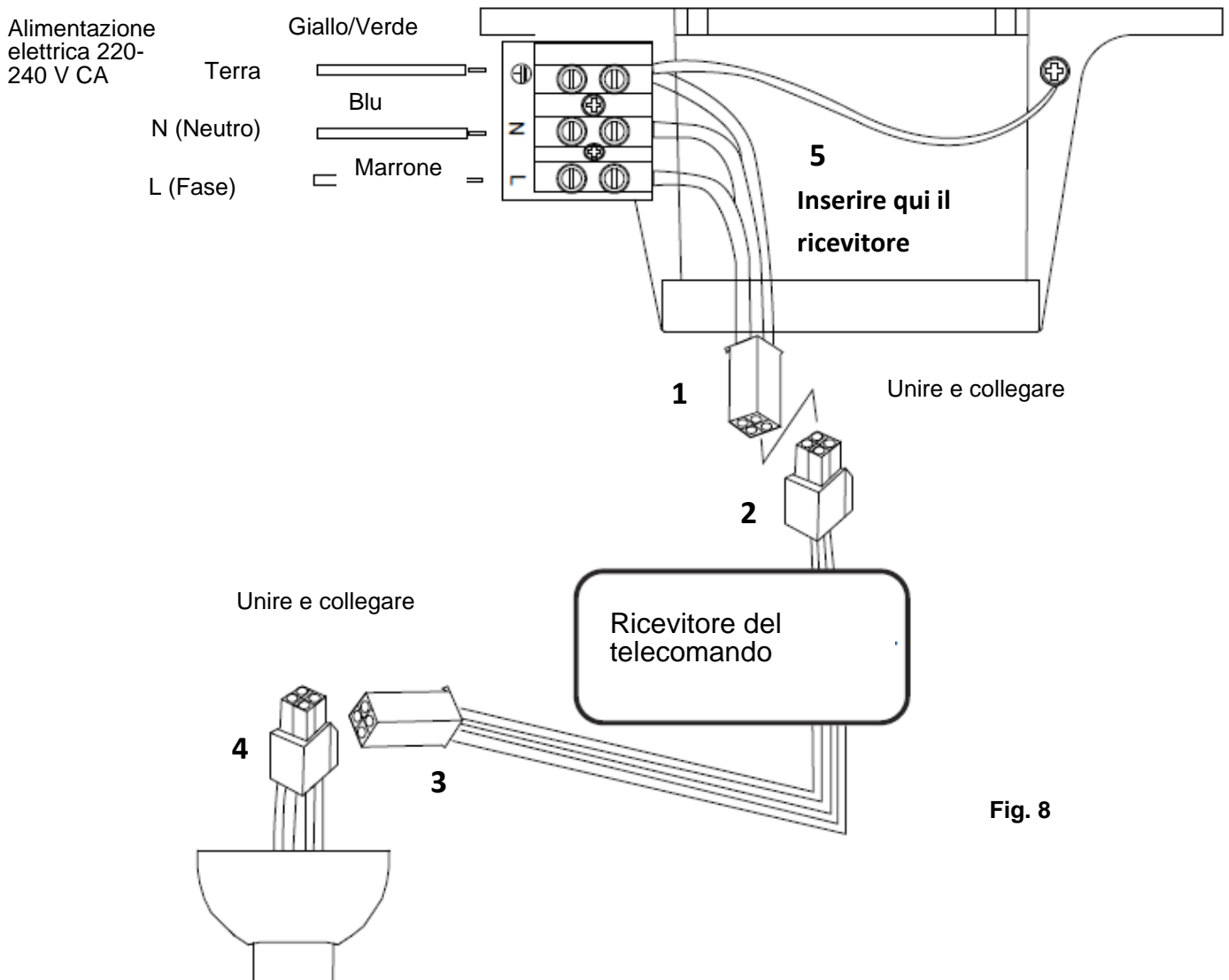


Fig. 8

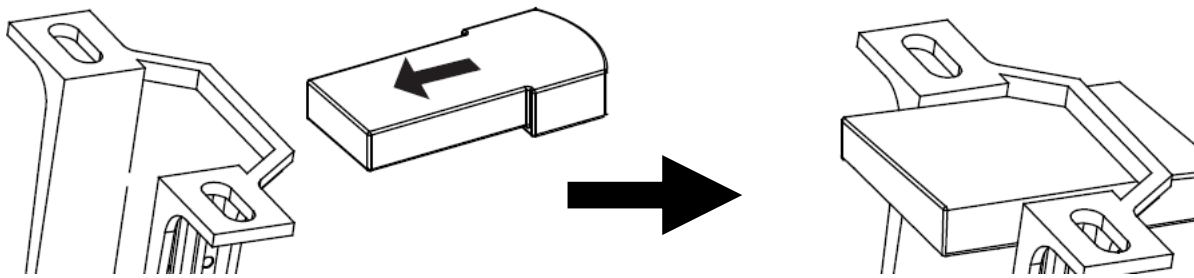


Fig. 9

TERMINE DELL'INSTALLAZIONE

- Dopo aver completato il collegamento elettrico alla morsettiera della staffa di supporto, collegare i fili elettrici del ventilatore tramite i connettori rapidi.
- Assicurarsi che il cavo di terra sia fissato saldamente e in modo corretto effettuando un test di continuità dal corpo metallico accessibile del ventilatore e dalla base della lampada verso il terminale di terra sulla morsettiera nella staffa di supporto.
- Coprire la staffa di supporto con la calotta. Assicurarsi che tutti i fili elettrici siano nascosti all'interno della calotta e che i fili non subiscano danni durante questa operazione. Fissare la calotta alla staffa con le viti fornite (Fig. 10).
- Attivare l'alimentazione elettrica del circuito del ventilatore. Verificare il corretto funzionamento del ventilatore seguendo le istruzioni alla sezione "UTILIZZO DEL VENTILATORE" in questo manuale.

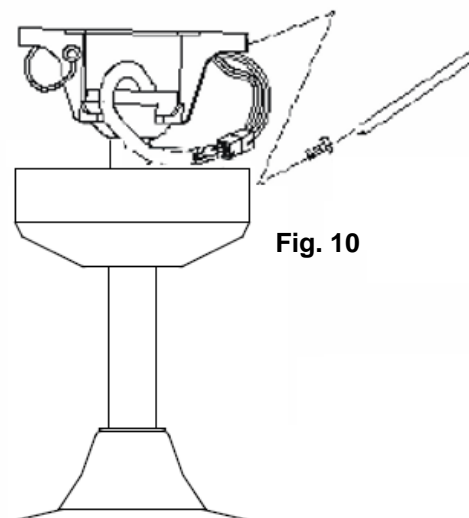


Fig. 10



UTILIZZO DEL VENTILATORE

Il ventilatore è controllato tramite il telecomando. Sul telecomando sono presenti 4 pulsanti (HI, MED, LOW, OFF) di controllo della velocità e un pulsante di controllo della luce. **Fig. 13**

Per usare il telecomando in modo corretto, rispettare le seguenti istruzioni.

- Il telecomando è alimentato da 2 batterie AAA da 1,5 V. Rimuovere il coperchio del vano batterie sul retro del telecomando e inserire 2 batterie AAA. Assicurarsi di rispettare la polarità indicata all'interno del vano batterie (Fig.11) (batterie non incluse).
- Il telecomando (trasmettitore) e il ricevitore devono essere abbinati tra loro; per fare ciò è necessario impostare i cursori dei DIP switch del ricevitore e del telecomando sugli stessi valori (Fig. 12).

Nota: il gruppo di DIP switch è formato da 4 cursori; in totale è possibile impostare 16 diversi codici di trasmissione. Ciò è utile quando nello stesso locale sono attive più coppie di telecomando/ricevitore.

Nota: per accedere ai DIP switch, rimuovere il coperchio dei DIP switch.

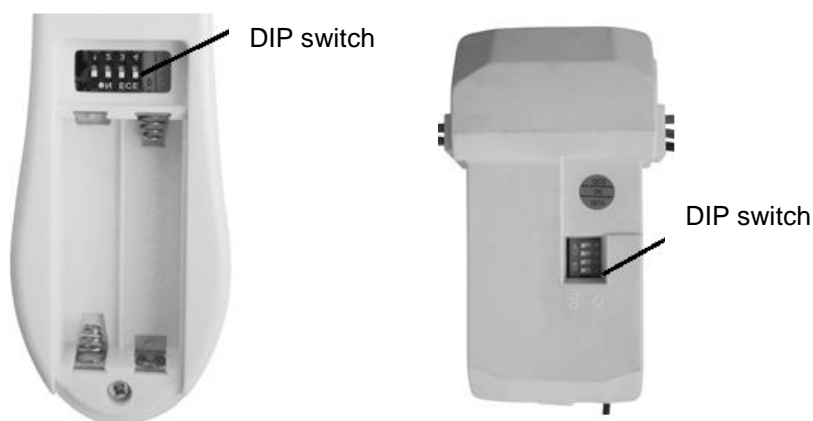


Fig. 11 Vano batterie del telecomando

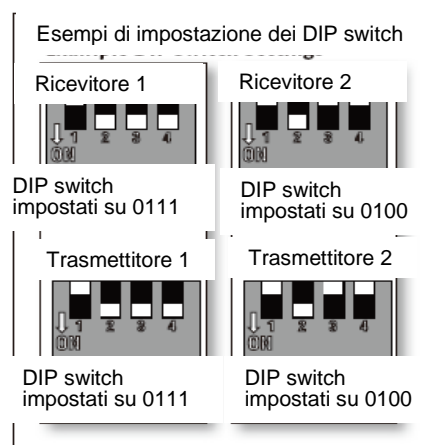


Fig. 12 DIP switch del ricevitore

UTILIZZO DEL TELECOMANDO

Prima di iniziare a usare il telecomando, leggere attentamente questa sezione e familiarizzarsi con i pulsanti e le loro funzioni.

Indicatore luminoso

L'indicatore luminoso rosso sulla parte superiore del trasmettitore lampeggia di rosso quando i pulsanti sono attivi.



PULSANTI SUL TELECOMANDO

HI: premere questo pulsante per mettere in funzione il ventilatore ad alta velocità.

MED: premere questo pulsante per mettere in funzione il ventilatore a velocità intermedia.

LOW: premere questo pulsante per mettere in funzione il ventilatore a bassa velocità.

OFF: premere questo pulsante per spegnere il ventilatore.


: premere questo pulsante per accendere o spegnere la luce.



Fig. 13

Il telecomando è dotato di funzione di memoria. Se il ventilatore viene spento tramite il telecomando, alla riaccensione verranno ripristinate le ultime impostazioni relative a luce e velocità.

INSTALLAZIONE DEL SUPPORTO PER TELECOMANDO (Fig. 15)

1. Individuare una superficie o una parete adatta al fissaggio del supporto per telecomando.
2. Rimuovere la copertura delle viti e installare il supporto alla parete usando le 2 viti, quindi reinstallare la copertura delle viti (Fig. 15a).
3. Fare scorrere il telecomando all'interno del supporto (Fig. 15b).

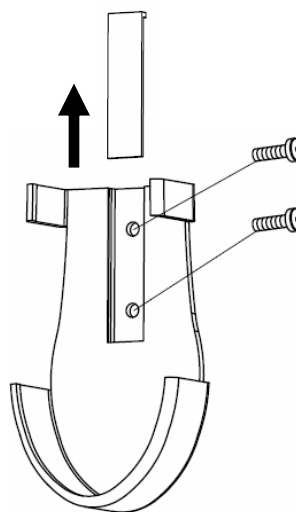


Fig. 15a

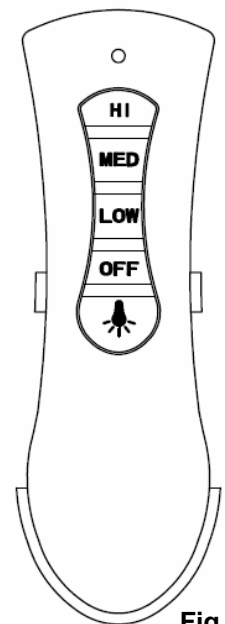


Fig. 15b

FUNZIONE DI INVERSIONE (Fig. 15)

Questo ventilatore a soffitto può funzionare sia in modalità estiva che in modalità invernale.

Modalità ESTIVA: l'interruttore di inversione deve essere in posizione ESTATE affinché il ventilatore ruoti in senso antiorario. Il flusso d'aria verrà diretto verso il basso, per raffrescare il locale durante la stagione calda.

Modalità INVERNALE: l'interruttore di inversione deve essere in posizione INVERNO affinché il ventilatore



ruoti in senso orario. Il flusso d'aria verrà diretto verso l'alto, per favorire la circolazione di aria calda e il risparmio energetico durante la stagione fredda.

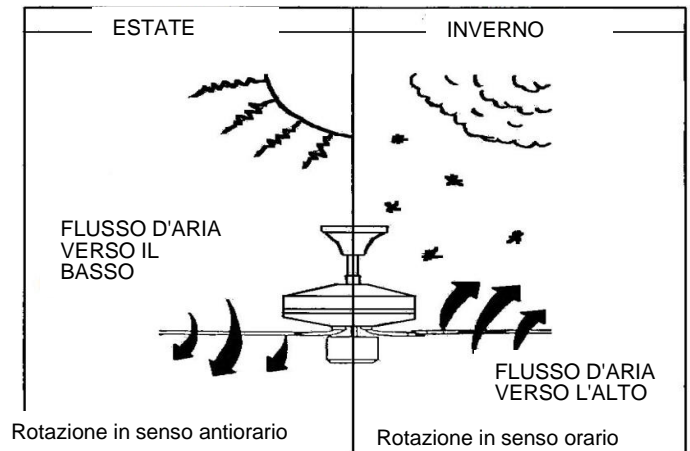
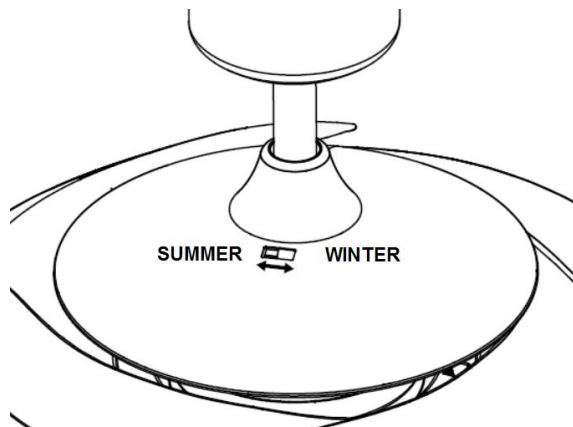


Fig. 15

DOPO L'INSTALLAZIONE

VIBRAZIONI

NOTA: i ventilatori a soffitto tendono a muoversi durante il funzionamento perché sono fissati a una rondella in gomma. Se il ventilatore è fissato rigidamente al soffitto vibrerà in modo eccessivo. Un movimento di pochi centimetri è normale e NON è sintomo di alcun malfunzionamento.

PER RIDURRE LE VIBRAZIONI DEL VENTILATORE:

controllare che tutte le viti che fissano la staffa di supporto e l'asta siano avvitate saldamente.

NOTA: questo ventilatore è stato calibrato in fabbrica e non necessita di essere ricalibrato.

RUMOROSITÀ

Quando l'ambiente è silenzioso (in particolare durante le ore notturne), il ventilatore potrebbe produrre occasionalmente dei leggeri rumori. Leggere fluttuazioni dell'alimentazione elettrica e segnali elettrici di frequenza sovrapposti per il controllo dell'acqua calda nelle fasce orarie ridotte possono causare variazioni nel rumore del motore del ventilatore. È un fenomeno normale. La maggior parte dei rumori associati a un nuovo ventilatore scomparirà entro un periodo di assestamento di 24 ore.

Questo non è un malfunzionamento del prodotto, pertanto non è coperto dalla garanzia; tutti i motori elettrici emettono del rumore.

PULIZIA E MANUTENZIONE

NOTA: DISATTIVARE sempre l'alimentazione elettrica prima di effettuare le operazioni di pulizia e manutenzione sul ventilatore.

- La pulizia periodica del ventilatore ogni 6 mesi è l'unica operazione di manutenzione necessaria. Utilizzare una spazzola morbida o un panno privo di pelucchi per evitare di graffiare la finitura. Disattivare l'alimentazione elettrica prima della pulizia.



- Non immergere il ventilatore in acqua o altri liquidi per evitare danni al motore o alle pale e il rischio di scossa elettrica.
- Assicurarsi che il ventilatore non entri a contatto con detersivi o solventi organici.
- Per pulire le pale del ventilatore, usare esclusivamente un panno pulito e umido **SENZA** detersivi o solventi organici.
- Il motore contiene un cuscinetto permanentemente lubrificato, quindi non è necessario aggiungere lubrificante.

AVVERTENZE DI SICUREZZA RELATIVE ALLE BATTERIE

- **AVVERTENZA!** Conservare le batterie nuove e scariche fuori dalla portata dei bambini.
- **ATTENZIONE!** Non ingerire la batteria. Rischio di ustioni chimiche.
- Usare sempre 2 batterie di tipo AAA con il telecomando del ventilatore a soffitto.
- Inserire le batterie rispettando la corretta polarità.
- Per evitare l'attivazione involontaria del ventilatore durante l'inserimento o la sostituzione delle batterie, il ventilatore deve essere scollegato dalla rete elettrica.
- Rimuovere le batterie dal prodotto in previsione di un lungo periodo di inutilizzo.
- Rimuovere le batterie dal telecomando prima di smaltirlo.
- Smaltire le batterie scariche immediatamente e in modo sicuro (affinché non possano essere usate dai bambini). Le batterie scariche possono essere pericolose. Contattare le autorità locali per informazioni sullo smaltimento sicuro delle batterie.
- Ispezionare regolarmente il prodotto e assicurarsi che il coperchio del vano batterie sia chiuso saldamente. Se il vano batterie non si chiude saldamente, non usare il prodotto e tenerlo fuori dalla portata dei bambini.

SPECIFICHE TECNICHE

Ventilatore	Ventilatore da 48" – Fanaway Veil
Modello di ventilatore / SKU#	LD-48" FAN VE / SKU# 212922, 212923
Tensione nominale	220-240 V~ 50 Hz
Potenza nominale (motore)	60 W
Potenza nominale (lampada)	E14, 6 x Max. 45 W
Peso	15,7 kg
Dimensioni della calotta	Altezza: 55 mm Diametro: 130 mm

INFORMAZIONI SULLA GARANZIA

IN AUSTRALIA / NUOVA ZELANDA – Consultare la DICHIARAZIONE DI GARANZIA allegata.


IN EUROPA – Gli acquirenti europei possono contattare il punto vendita per eventuali richieste di intervento in garanzia.



NL**BEDANKT VOOR UW AANKOOP**

Bedankt voor de aankoop van dit Fanaway-kwaliteitsproduct. Om een juiste en veilige werking te garanderen, moet u de instructies aandachtig lezen en begrijpen alvorens te beginnen met de montage, installatie of het gebruik van het product. Bewaar deze gebruiksaanwijzing voor toekomstige raadpleging.

VEILIGHEIDSMATREGELEN

1. In Europa: Dit apparaat kan worden gebruikt door kinderen vanaf 8 jaar en personen met verminderde fysieke, zintuiglijke of mentale vermogens of een gebrek aan ervaring en kennis, indien zij onder toezicht staan of instructies hebben gekregen over het veilige gebruik van het apparaat en als zij de gevaren ervan begrijpen. Reiniging en onderhoud mag zonder toezicht niet door kinderen worden uitgevoerd.
2. In Australië: Dit apparaat is niet bedoeld om te worden gebruikt door personen (inclusief kinderen) met verminderde fysieke, zintuiglijke of mentale vermogens of een gebrek aan ervaring en kennis, tenzij zij onder toezicht staan of instructie hebben gekregen over het gebruik van het apparaat.
3. Kinderen moeten onder toezicht staan om er zeker van te zijn dat ze niet met het apparaat spelen.
4. Zorg dat de ventilator wordt aangesloten op een schakelaar waarbij alle polen worden onderbroken en volg de plaatselijke bedradingsvoorschriften.
5.  Gooi elektrische apparaten niet weg als ongesorteerd huishoudelijk afval. Maak gebruik van aparte inzamelingsfaciliteiten voor elektrische apparatuur. Neem contact op met uw gemeente voor informatie over de beschikbare inzamelingsystemen. Als elektrische apparaten op stortplaatsen terechtkomen, kunnen gevaarlijke stoffen in het grondwater lekken en in de voedselketen terechtkomen, wat schadelijk is voor uw gezondheid en welzijn.
6. De constructie waarop de ventilator wordt gemonteerd moet een gewicht van 65 kg kunnen dragen.
7. De ventilator moet zo worden gemonteerd dat de bladen zich minstens 2,3 m boven de vloer (Europa) of minstens 2,1 m boven de vloer (Australië) bevinden.
8. Deze ventilator is uitsluitend bestemd voor gebruik binnenshuis. De montage van de ventilator op een plaats waar deze aan water of vocht onderhevig is, is gevaarlijk en kan het risico op schade, letsel of elektrische schokken vergroten en zal de garantie ongeldig maken.
9. Het apparaat moet worden gemonteerd en geïnstalleerd door een erkend elektricien.
10. WAARSCHUWING: Bij ongewone trillingen of oscillerende bewegingen moet het gebruik van de plafondventilator onmiddellijk worden gestaakt en moet contact worden opgenomen met de fabrikant, een servicetechnicus of een daartoe bevoegde persoon.
11. De vervanging van onderdelen van de veiligheidsophanging moet worden uitgevoerd door de fabrikant, een servicetechnicus of een daartoe bevoegde persoon.
12. De bevestigingsmiddelen voor het plafond, zoals haken of andere onderdelen, moeten voldoende stevig



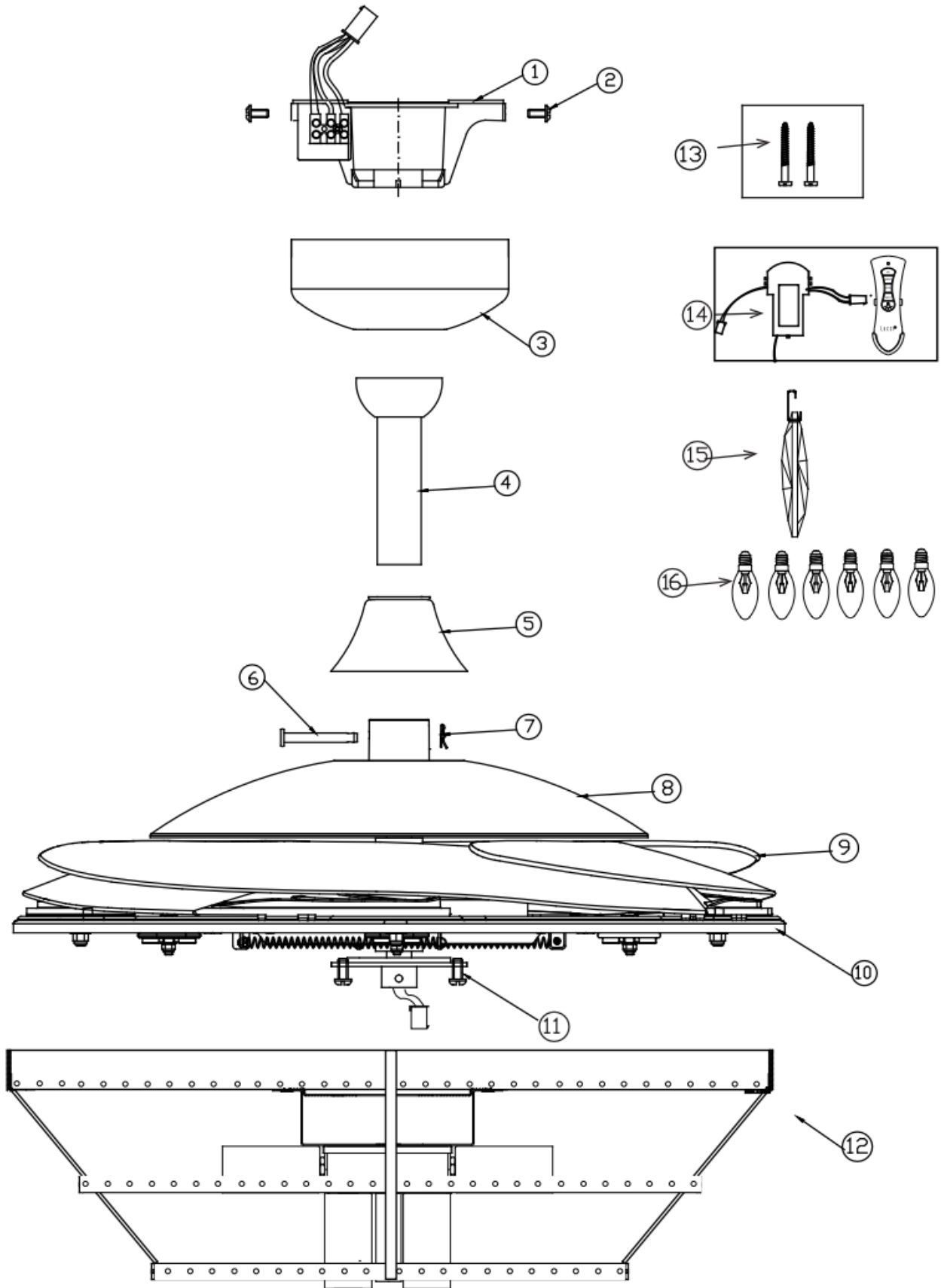
worden bevestigd om 4 maal het gewicht van de plafondventilator te kunnen weerstaan; de montage van het ophangstelsel moet worden uitgevoerd door de fabrikant, een servicetechnicus of een daartoe bevoegde persoon.

ONDERDELENLIJST

- Pak de plafondventilator voorzichtig uit. Verwijder alle onderdelen en hardware.
- Leg alle onderdelen op een vlakke ondergrond en controleer of alle noodzakelijke onderdelen aanwezig zijn. Als er onderdelen ontbreken, stuur het volledige product terug naar de plaats van aankoop voor inspectie of vervanging.
- Controleer of de plafondventilator tijdens het transport is beschadigd. Bedien/installeer geen product dat op welke wijze dan ook beschadigd lijkt te zijn. Stuur het beschadigde product terug naar de plaats van aankoop voor inspectie of vervanging.
- Controleer of alle onderdelen aanwezig zijn. U zou het volgende moeten hebben, zoals weergegeven in afb.1:

1	Montagebeugel x 1	9	Ventilatorblad x 4
2	Afdekkingsschroef x 4	10	Intrekmechanisme x 1
3	Afdekking x 1	11	Montagebeugel met lichtmodule x 1
4	Onderstang x 1	12	Lichtmodule x 1
5	Koppelingsbehuizing voor onderstang x1	13	Montageschroef x 2
6	Borgpen x 1	14	Afstandsbedieningsontvanger en afstandsbediening x 1 set
7	Vastzetpen x 1	15	Decoratieve drops x 114
8	Bovenste behuizing x 1	16	Lampen x 6





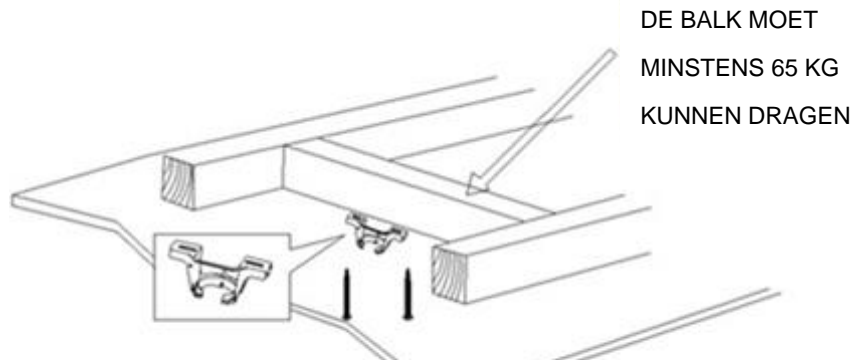
Afb. 1



This fan is suitable for indoor use only.

DE MONTAGEBEUGEL INSTALLEREN

- De plafondventilator moet zodanig worden geïnstalleerd dat het uiteinde van de bladen minstens 300 mm verwijderd is van het dichtstbijzijnde object of de muur.
- Monteer de ophangbeugel met de twee lange meegeleverde schroeven aan een plafondbalk of een stevig punt aan het plafond dat minstens 65 kg kan dragen. Zorg ervoor dat ten minste 30 mm van de schroef in de plafondbalk of in het plafond wordt gedraaid. (Afb. 2)



OPMERKING: DEZE AFBEELDING DIENT ALLEEN TER REFERENTIE, HET IS GEEN WERKELIJKE VOORSTELLING VAN DE BEUGEL.

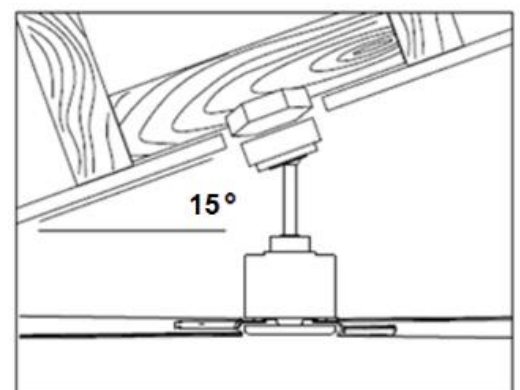
Afb. 2

OPMERKING: De meegeleverde beugelschroeven zijn alleen voor gebruik met houten constructies. Voor andere constructies dan hout moet het juiste schroeftype en eventueel pluggen worden gebruikt. Controleer of de gebruikte schroeven geschikt zijn voor het montageoppervlak.

PLAATSING ONDER EEN HOEK

Dit ventilatorophangstelsel ondersteunt een plaatsing onder een hoek van maximaal 15 graden.

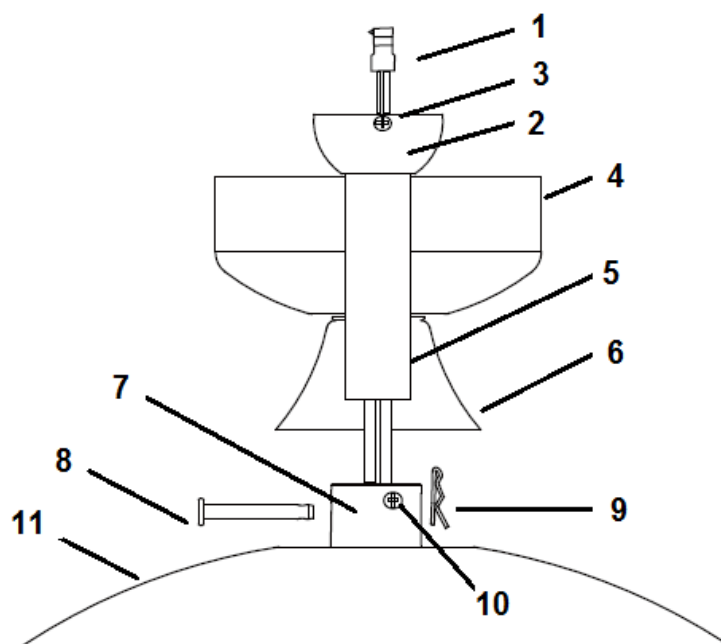
Afb. 3



DE VENTILATOR INSTALLEREN

DE ONDERSTANG INSTALLEREN (afb. 4)

1. Verwijder het kogelgewricht (2) en de deuvelpen van de onderstang (5) door de stelschroef (3) los te draaien.
Gooi deze onderdelen niet weg, ze moeten later weer in elkaar gezet worden.
2. Stop de draden en plug (1) door de onderstang (5).
3. Steek de onderstang (5) in de koppelingsbehuizing voor onderstang (7), breng de gaten in de koppelingsbehuizing op één lijn met de gaten op de onderstang, breng de borgpin (8) aan en zet vast met de vastzetpen (9).
4. Zet de onderstang (5) vast door de twee stelschroeven (10) op de koppeling (7) vast te draaien.
5. Schuif het deksel (6) over de onderstang (7) om de koppelingsbehuizing (7) af te dekken.
6. Schuif de afdekking (4) over de onderstang (5).
7. Plaats het kogelgewricht (5) en de deuvelpen weer terug op de onderstang (3) en zet deze vast door de stelschroef (3) aan te draaien.

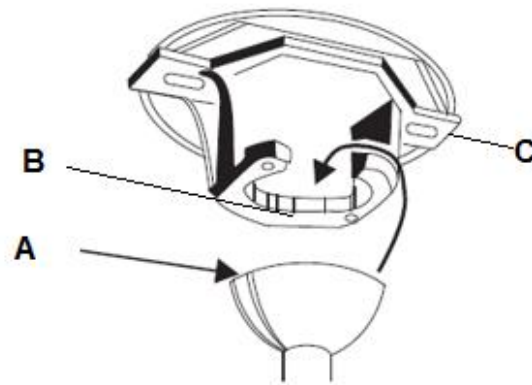


Afb. 4

DE VENTILATOR OPHANGEN

Plaats de ventilatoreenheid op de montagebeugel. Zorg ervoor dat de gleuf (A) van de ophangkogel op de pen (B) van de montagebeugel (C) is geplaatst om te voorkomen dat de ventilator tijdens het gebruik tegendraait. (Afb. 5)



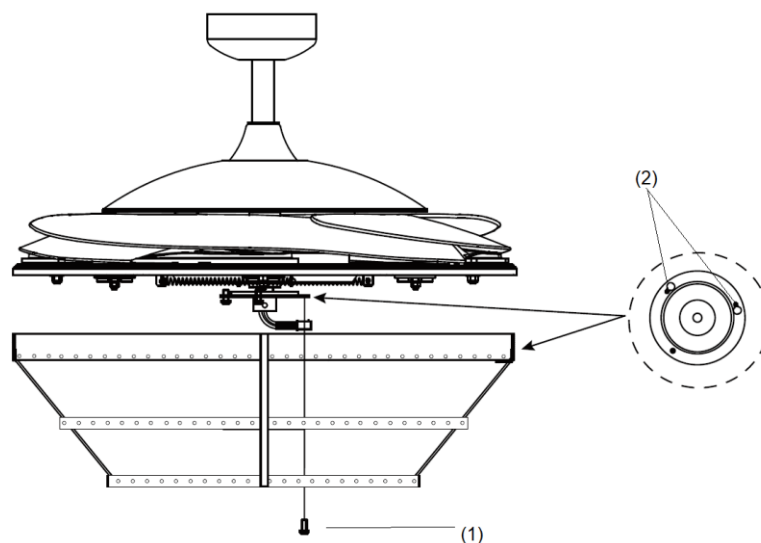


Afb. 5

DE LICHTMODULE INSTALLEREN

DE LICHTMODULE INSTALLEREN (afb. 6 en 7)

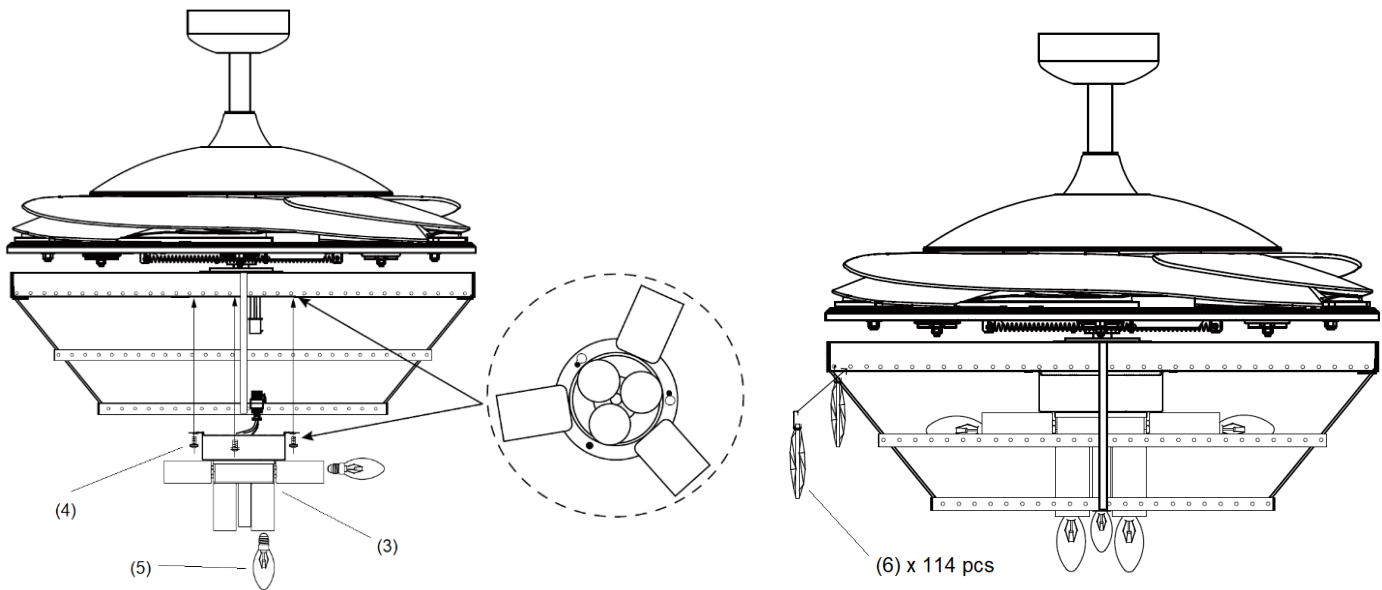
1. Draai de schroef (1) uit de ventilatorbeugel los. Breng de twee schroeven op één met de sleutelgaten (2) van de lichtmodulebeugel. (Afb. 6)
2. Draai de lichtmodule tegen de klok in totdat de schroeven stevig tegen het einde van de sleuven (2) zijn vastgemaakt.
3. Maak de schroef (1) vast aan de beugel van de lampenkap. Draai de drie schroeven vast. Draai ze niet te vast aan.



Afb. 6

4. Verbind de snelkoppeling met de lamphouder (3). (Afb. 7)
5. Maak de lamphouder (3) vast aan de lichtmodulebeugel met behulp van de 3 schroeven (4). Draai ze niet te vast aan.
6. Installeer de lampen (5) in de lamphouders. Zorg dat u het maximale vermogen niet overschrijdt.
7. Installeer de decoratie (6) aan de lichtset.





Afb. 7

ELEKTRISCH BEDRADINGSCHEMA VAN DE VENTILATOR

WAARSCHUWING: VOOR UW VEILIGHEID MOETEN ALLE ELEKTRISCHE AANSLUITINGEN WORDEN UITGEVOERD DOOR EEN ERKEND ELEKTRICIEN.

OPMERKING: IN DE VASTE BEDRADING MOET EEN EXTRA MEERPOLIGE SCHEIDINGSSCHAKELAAR WORDEN OPGENOMEN.

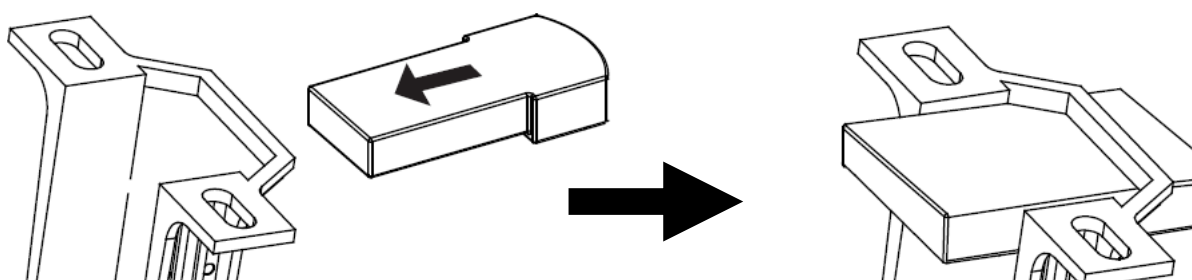
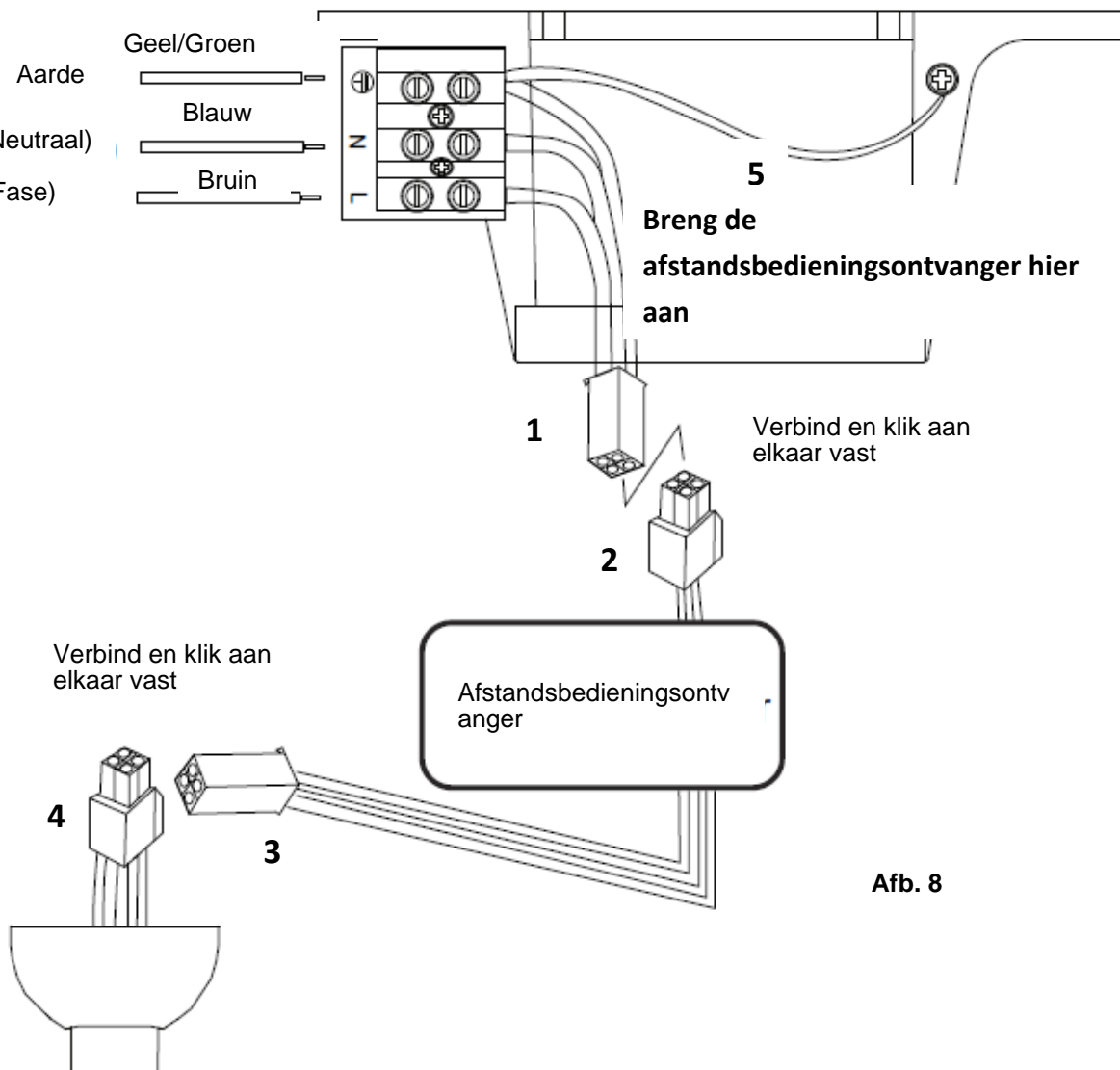
Zie afb. 8 hoe de bedrading op de ventilator aan te sluiten.

- Sluit de "FASE" draad aan op de "L"-klem van het klemmenblok op de montagebeugel.
- Sluit de "NEUTRAAL" draad aan op de "N"-klem van het klemmenblok op de montagebeugel.
- Sluit de "AARDE" draad aan op de "⊕"-klem van het klemmenblok op de montagebeugel.
- Hang de ventilator op (Zie "De ventilator ophangen" afb. 5, pagina 6).
- Verbind de snelkoppeling van de beugel (label 1) met deingangssnelkoppeling van de ontvanger (label 2);
- Verbind de uitgangssnelkoppeling van de ontvanger (label 3) met de snelkoppeling van de ventilator (label 4).
- Breng de afstandsbedieningsontvanger voorzichtig boven de ophangkogel in de daarvoor voorziene ruimte in de montagebeugel aan. Zorg dat de bedrading niet wordt beschadigd of los komt (label 5 en afb. 9).



Voedingsspanning 220-240 Vac

Aarde Geel/Groen
 N (Neutraal) Blauw
 L (Fase) Bruin



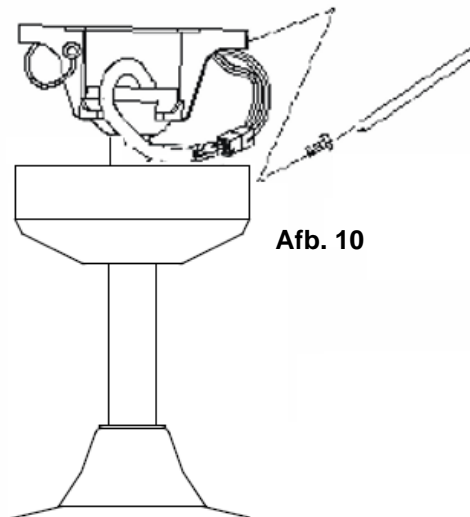
DE INSTALLATIE VOLTOOIEN

- Na het voltooiën van de elektrische aansluiting op het aansluitblok van de montagebeugel, verbind de bedrading van de plafondventilator met behulp van de snelkoppeling.
- Zorg ervoor dat de aardebedrading veilig en correct is, door een aardingscontinuïteitstest uit te voeren



vanaf de metalen behuizing van de ventilator en de lampenvoet tot aan de aardklem op het klemmenblok op de montagebeugel.

- Bedek de montagebeugel met de overkapping. Zorg dat alle elektrische draden in de overkapping zitten. Zorg dat ze niet worden beschadigd. Maak de overkapping vast aan de ophangbeugel met behulp van de meegeleverde schroeven. (Afb. 10)
- Schakel de ventilator in. Test de werking van de ventilator en gebruik de ventilator overeenkomstig de instructies die in de sectie "UW PLAFONDVENTILATOR" zijn vermeld.



GEBRUIK VAN DE PLAFONDVENTILATOR

Uw plafondventilator wordt door middel van de afstandsbediening bediend. Er zijn 4 knoppen (HI, MED, LOW, OFF) om de ventilatorsnelheid te regelen en één knop om de verlichting aan/uit te zetten. **Afb. 13**

Alvorens de afstandsbediening te gebruiken, houd rekening met het volgende.

- De afstandsbediening werkt op 2 x AAA 1,5V batterijen. Verwijder het batterijdeksel aan de achterkant van de afstandsbediening en installeer 2 x AAA batterijen. Installeer de batterijen volgens de juiste polariteit zoals afgebeeld in het batterijvak. (Afb.11) (Batterijen niet inbegrepen.)
- De zender (afstandsbediening) en de ontvanger moeten aan elkaar zijn gekoppeld zodat communicatie tussen beiden mogelijk is. Dit wordt bereikt door de DIP-schakelaar op de ontvanger en de afstandsbediening op dezelfde instelling te zetten. (Afb. 12)

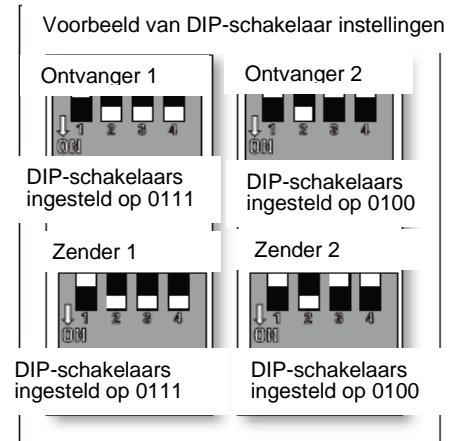
Opmerking: Er zijn in het totaal 4 DIP-schakelaars om tot 16 verschillende zendcodecombinaties te kunnen instellen. Dit is handig wanneer er meerdere afstandsbedieningen/ontvangers in dezelfde ruimte worden gebruikt.

Opmerking: Om toegang tot de DIP-schakelaars van de ontvanger te krijgen, verwijder het deksel.





Afb. 11 Batterijvak van afstandsbediening



Afb. 12 DIP-schakelaars van ontvanger

DE AFSTANDSBEDIENING GEBRUIKEN:

Voordat u de afstandsbediening gebruikt, lees deze sectie grondig door om uzelf vertrouwd te maken met de knoppen en hun functie.

Led-controlelampje

Het rode led-controlelampje aan de bovenkant van de zender knippert wanneer de knoppen actief zijn.

KNOPPEN OP DE AFSTANDSBEDIENING

HI: Druk op de knop om de ventilator op hoge snelheid te laten draaien.

MED: Druk op de knop om de ventilator op medium snelheid te laten draaien.

LOW: Druk op de knop om de ventilator op lage snelheid te laten draaien.

OFF: Druk op de knop om de ventilator UIT te schakelen.

: Druk op de knop om het licht aan of uit de zetten.



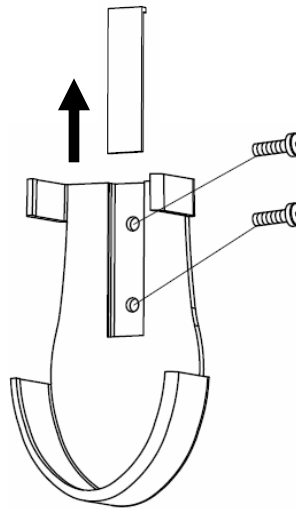
Afb. 13

De afstandsbediening beschikt over een geheugenfunctie. Als de ventilator of de verlichting wordt uitgeschakeld door de isolatieschakelaar, dan wordt de laatste status opgeslagen en bij de volgende inschakeling opnieuw ingesteld.

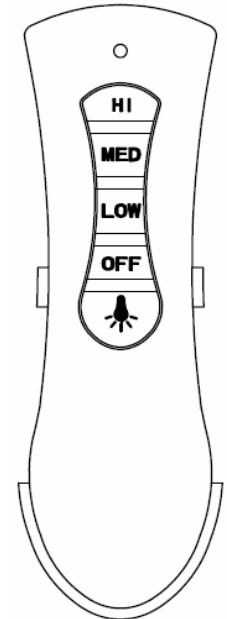


DE HOUDER VOOR DE AFSTANDSBEDIENING INSTALLEREN (afb. 15)

1. Zoek een gepaste muur of oppervlak om de houder voor de afstandsbevestiging aan vast te maken.
2. Verwijder de schroefdop en installeer de houder met behulp van 2 schroeven. Breng de schroefdop vervolgens opnieuw aan. (Afb.15a).
3. Schuif de afstandsbediening in de houder. (Afb. 15b).



Afb. 15a



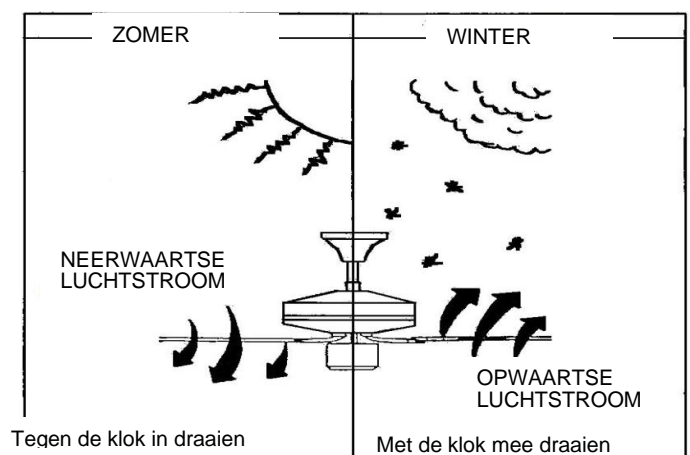
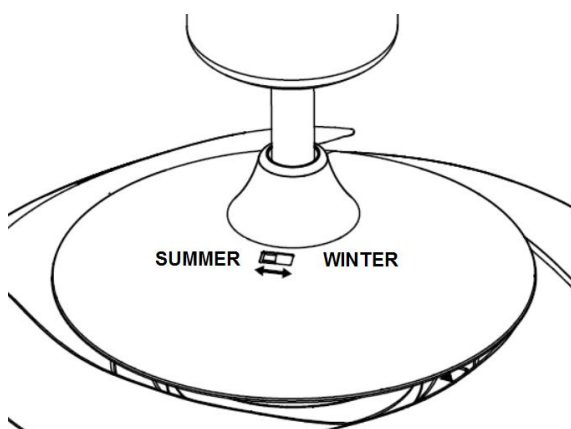
Afb. 15b

OMKEERFUNCTIE (afb. 15)

Uw plafondventilator kan in de zomer- of wintermodus werken.

ZOMER modus: Zet de omkeerschakelaar in de positie SUMMER (zomer) zodat de ventilator tegen de klok in draait. De luchtstroom wordt omlaag gericht om tijdens de zomer af te koelen.

WINTER modus: Zet de omkeerschakelaar in de positie WINTER (winter) zodat de ventilator met de klok mee draait. De luchtstroom wordt omhoog gericht voor een betere circulatie van de warme lucht en energiebesparing tijdens de winter.



Afb. 15



NA INSTALLATIE

WIEBELEN:

OPMERKING: plafondventilatoren hebben de neiging om tijdens het gebruik te bewegen door het feit dat ze op een rubberen doorvoertules zijn gemonteerd. Als de ventilator vast aan het plafond werd gemonteerd, zou dit buitensporige trillingen veroorzaken. Bewegingen van enkele centimeters zijn acceptabel en is GEEN defect van het apparaat.

OM HET WIEBELEN VAN DE VENTILATOR TE VERMINDEREN:

Controleer of alle schroeven waarmee de montagebeugel en de onderstang zijn bevestigd, goed vastzitten. OPMERKING: Deze ventilator werd in de fabriek reeds nauwkeurig in evenwicht gezet, dit is aldus niet meer nodig.

GELUID:

Wanneer het stil is (vooral 's nachts) kan het zijn dat u af en toe kleine geluiden hoort. Lichte stroomschommelingen en frequentiesignalen die op het elektriciteitssignaal worden gesuperponeerd voor de warmwaterbeheersing buiten de piekuren, kunnen een verandering in het geluid van de ventilatormotor veroorzaken. Dit is normaal. Houd rekening met een "instelperiode" van 24 uur. De meeste geluiden die gepaard gaan met een nieuwe ventilator verdwijnen gedurende deze periode.

Dit is geen defect aan het product en valt aldus niet onder de garantie - Alle elektromotoren produceren tot op zekere hoogte geluid.

ONDERHOUD EN REINIGING

OPMERKING: Schakel altijd eerst de stroom uit met de netschakelaar voordat u onderhoud uitvoert of uw ventilator probeert te reinigen.

- Elke 6 maanden is periodieke reiniging van uw plafondventilator het enige onderhoud dat nodig is. Gebruik een zachte borstel of pluïsvrije doek om krassen op de laklaag te voorkomen. Schakel de elektriciteit uit als u dat doet.
- Laat uw plafondventilator niet weken of onderdompelen in water of andere vloeistoffen. Het kan de motor of de bladen beschadigen en een elektrische schok veroorzaken.
- Zorg ervoor dat de ventilator niet in contact komt met organische oplosmiddelen of reinigingsmiddelen.
- Om het ventilatorblad te reinigen, veegt u het af met een vochtige, schone doek met GEEN organische oplosmiddelen of reinigingsmiddelen.
- De motor heeft een permanent gesmeerde kogellager zodat er geen olie nodig is.

VEILIGHEIDSMATREGELEN VOOR DE BATTERIJ

- **WAARSCHUWING** – Houd nieuwe en gebruikte batterijen uit de buurt van kinderen.
- **OPGELET** – Slik batterijen niet in - gevaar voor chemische brandwonden.
- Gebruik altijd 2 x AAA-batterijen voor de afstandsbediening.
- Zorg ervoor dat de batterijen met de juiste polariteit zijn geplaatst.



- Om te voorkomen dat de plafondventilator tijdens het plaatsen of vervangen van de batterijen verkeerd wordt gebruikt, moet de plafondventilator worden uitgeschakeld.
- Verwijder de batterijen als u het apparaat voor langere tijd niet gebruikt.
- De batterijen moeten uit de afstandsbediening worden verwijderd voordat het apparaat wordt afgedankt.
- Gooi gebruikte batterijen onmiddellijk en veilig weg (zodat ze niet door kinderen kunnen worden bereikt). Batterijen kunnen nog steeds gevaarlijk zijn. Neem contact op met uw gemeente om de batterijen veilig af te voeren.
- Controleer het product regelmatig en zorg ervoor dat het deksel van het batterijvak goed vastzit. Als het batterijvak niet goed kan worden afgesloten, mag u het product niet meer gebruiken en moet u het buiten het bereik van kinderen houden.

TECHNISCHE INFORMATIE

Ventilator	48" ventilator – Fanaway Orbit
Ventilatormodellen / SKU#	LD-48" FAN VE / SKU# 212922, 212923
Nominale spanning	220-240 V~ 50Hz
Nominaal vermogen (motor)	60W
Nominaal vermogen (lamp)	E14, 6 x Max.45W
Gewicht	15,7kg
Afmetingen van de overkapping	H:55mm Dia:130mm

GARANTIE-INFORMATIE

IN AUSTRALIË / NIEUW ZEELAND - Raadpleeg de afzonderlijke garantieverklaring.

IN EUROPA - Als u een Europese klant bent, neem dan contact op met het verkooppunt waar de ventilator is gekocht voor garanteservice.






ΕΥΧΑΡΙΣΤΟΥΜΕ ΓΙΑ ΤΗΝ ΑΓΟΡΑ ΣΑΣ

Ευχαριστούμε που αγοράσατε αυτό το προϊόν υψηλής ποιότητας της Fanaway. Προκειμένου να διασφαλιστεί ότι το προϊόν θα λειτουργεί σωστά και με ασφάλεια, διαβάστε και τηρείτε με προσοχή όλες τις οδηγίες προτού να συναρμολογήσετε, εγκαταστήσετε και χρησιμοποιήσετε τον ανεμιστήρα οροφής. Φυλάξτε τις οδηγίες για μελλοντική αναφορά.

ΠΡΟΦΥΛΑΞΕΙΣ ΑΣΦΑΛΕΙΑΣ

1. Για την Ευρώπη: Αυτή η συσκευή μπορεί να χρησιμοποιηθεί από παιδιά ηλικίας 8 χρονών και πάνω και από άτομα με περιορισμένες σωματικές, αισθητήριες ή διανοητικές ικανότητες, ή από άτομα με ελλιπή εμπειρία και γνώσεις, εφόσον επιβλέπονται ή έχουν λάβει οδηγίες για την ασφαλή χρήση της συσκευής και κατανοούν τους εμπλεκόμενους κινδύνους. Οι εργασίες καθαρισμού και συντήρησης δεν πρέπει να πραγματοποιούνται από παιδιά χωρίς επίβλεψη.
2. Για την Αυστραλία: Αυτή η συσκευή δεν προορίζεται για χρήση από άτομα (συμπεριλαμβανομένων παιδιών) με περιορισμένες σωματικές, αισθητηριακές ή διανοητικές ικανότητες, ή ελλιπή εμπειρία και γνώσεις, εκτός και εάν επιβλέπονται ή έχουν λάβει οδηγίες για την ασφαλή χρήση της συσκευής από άτομο υπεύθυνο για την ασφάλειά τους.
3. Τα παιδιά θα πρέπει να βρίσκονται υπό επίβλεψη, προκειμένου να διασφαλιστεί ότι δε θα παίξουν με τη συσκευή.
4. Η σταθερή καλωδίωση θα πρέπει να περιλαμβάνει διακόπτη αποσύνδεσης όλων των πόλων σύμφωνα τους τοπικούς ηλεκτρολογικούς κανονισμούς.



5.  Οι ηλεκτρικές συσκευές δεν πρέπει να απορρίπτονται ως σύμμεικτα αστικά απορρίμματα. Χρησιμοποιείτε τις εγκαταστάσεις συλλογής αποβλήτων ηλεκτρικού και ηλεκτρονικού εξοπλισμού. Απευθυνθείτε στις τοπικές αρχές για πληροφορίες σχετικά με τα διαθέσιμα συστήματα συλλογής. Η απόρριψη αποβλήτων ηλεκτρικού και ηλεκτρονικού εξοπλισμού σε χωματερές μπορεί να έχει ως αποτέλεσμα τη διαρροή επικίνδυνων ουσιών στα υπόγεια ύδατα, οι οποίες μπορεί να περάσουν στην τροφική αλυσίδα και να βλάψουν την υγεία σας.
6. Η κατασκευή στην οποία θα προσαρτηθεί ο ανεμιστήρας θα πρέπει να μπορεί να υποστηρίξει βάρος 65 kg.
7. Ο ανεμιστήρας θα πρέπει να τοποθετηθεί με τέτοιο τρόπο, ώστε τα πτερύγια να βρίσκονται τουλάχιστον 2,3 m πάνω από το δάπεδο για την Ευρώπη ή τουλάχιστον 2,1 m πάνω από το δάπεδο για την Αυστραλία.
8. Αυτός ο ανεμιστήρας είναι κατάλληλος για χρήση μόνο σε εσωτερικό χώρο. Η εγκατάσταση του ανεμιστήρα σε χώρο εκτεθειμένο σε νερό ή υγρασία είναι επικίνδυνη και αυξάνει τον κίνδυνο ζημιάς, τραυματισμού ή ηλεκτροπληξίας, ενώ ακυρώνει την εγγύηση.



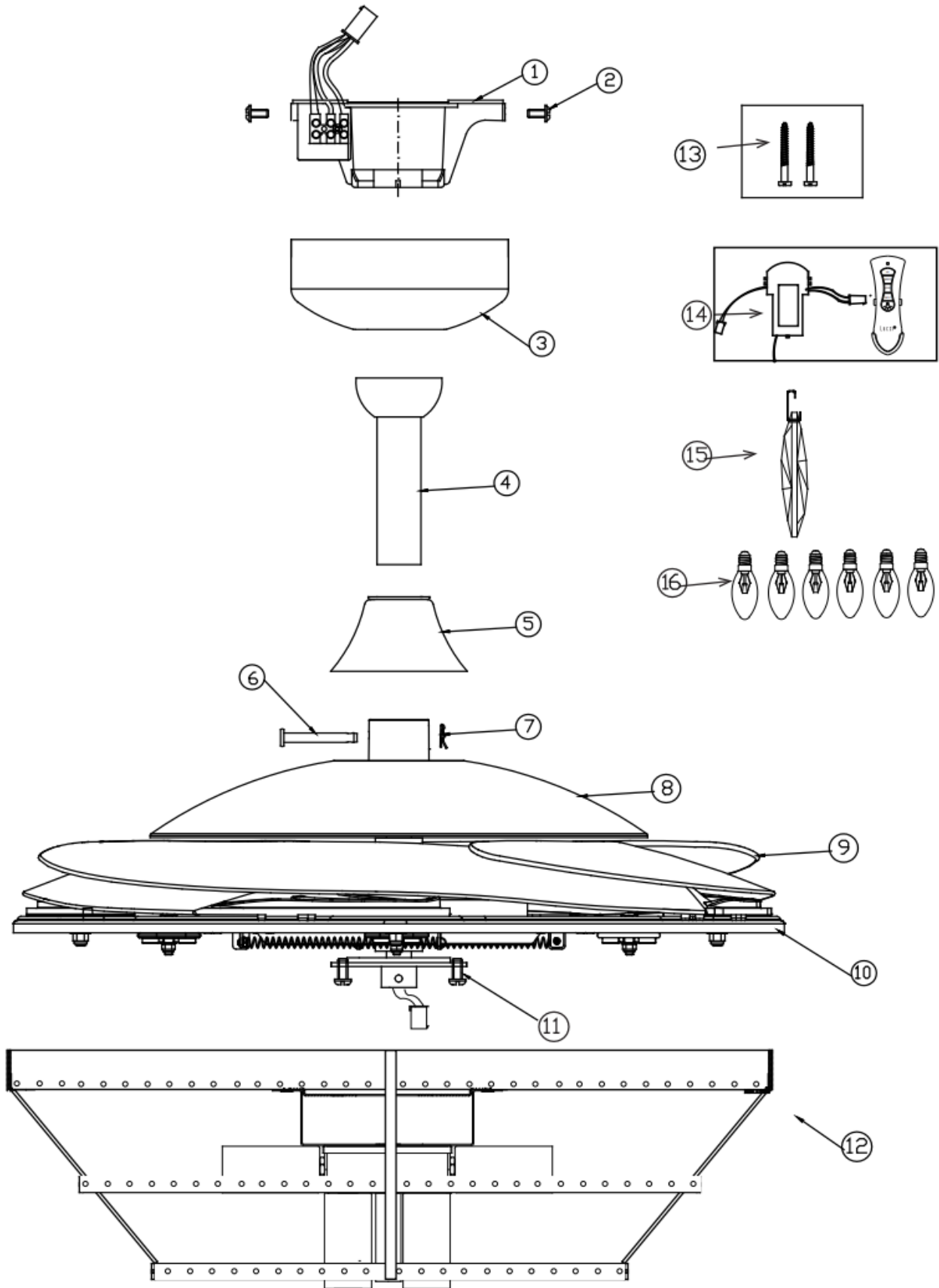
9. Η συναρμολόγηση και εγκατάσταση πρέπει να γίνουν από επαγγελματία ηλεκτρολόγο.
10. ΠΡΟΕΙΔΟΠΟΙΗΣΗ: Εάν παρατηρήσετε ότι ο ανεμιστήρας οροφής κλυδωνίζεται ή ταλαντώνεται ασυνήθιστα, σταματήστε αμέσως τη χρήση του ανεμιστήρα και επικοινωνήστε με τον κατασκευαστή, τον αντιπρόσωπο σέρβις του κατασκευαστή ή κατάλληλο επαγγελματία.
11. Η αντικατάσταση των εξαρτημάτων του συστήματος ανάρτησης ασφαλείας πρέπει να πραγματοποιείται από τον κατασκευαστή, τον αντιπρόσωπο σέρβις του κατασκευαστή ή κατάλληλο επαγγελματία.
12. Τα εξαρτήματα προσάρτησης στην οροφή, όπως είναι τα άγκιστρα ή άλλες διατάξεις, πρέπει να στερεώνονται κατάλληλα, έτσι ώστε να αντέχουν 4 φορές το βάρος του ανεμιστήρα οροφής. Το σύστημα ανάρτησης θα πρέπει να εγκατασταθεί από τον κατασκευαστή, τον αντιπρόσωπο σέρβις του κατασκευαστή ή κατάλληλο επαγγελματία.

ΛΙΣΤΑ ΕΞΑΡΤΗΜΑΤΩΝ

- Αποσυνσκευάστε προσεκτικά τον ανεμιστήρα οροφής. Αφαιρέστε όλα τα εξαρτήματα και υλικά.
- Τακτοποιήστε όλα τα εξαρτήματα σε ομαλή επιφάνεια και βεβαιωθείτε ότι δεν λείπει κανένα εξάρτημα, προτού να ξεκινήσετε τη συναρμολόγηση. Εάν λείπουν εξαρτήματα, επιστρέψτε ολόκληρο το προϊόν στο κατάστημα αγοράς για επιθεώρηση ή αντικατάσταση.
- Ελέγξτε μήπως ο ανεμιστήρας οροφής έχει υποστεί ζημιά κατά τη μεταφορά. Εάν εντοπίσετε οποιαδήποτε ζημιά, μη θέσετε σε λειτουργία και μην εγκαταστήσετε το προϊόν. Επιστρέψτε ολόκληρο το προϊόν στο κατάστημα αγοράς για επιθεώρηση, επισκευή ή αντικατάσταση.
- Ελέγξτε όλα τα εξαρτήματα και βεβαιωθείτε ότι υπάρχουν. Πρέπει να έχετε όσα περιλαμβάνονται στην παρακάτω λίστα και την Εικ. 1:

1	Βραχίονας στήριξης x 1	9	Πτερύγια x 4
2	Βίδες ροζέτας x 4	10	Μηχανισμός σύμπτυξης x 1
3	Ροζέτα x 1	11	Βραχίονας στήριξης κιτ φωτιστικού x 1
4	Κάθετη ράβδος x 1	12	Κιτ φωτιστικού x 1
5	Κάλυμμα σύνδεσης κάθετης ράβδου x 1	13	Βίδες τοποθέτησης x 2
6	Περόνη ασφάλισης x 1	14	Δέκτης τηλεχειρισμού και τηλεχειριστήριο x 1 σετ
7	Κοπίλια x 1	15	Διακοσμητικές σταγόνες x 114
8	Πάνω πλαίσιο x 1	16	Λαμπτήρες x 6





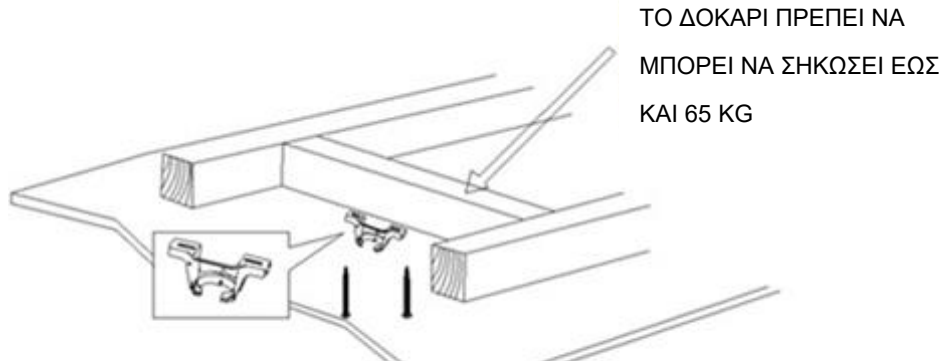
Eik. 1



This fan is suitable for indoor use only.

ΕΓΚΑΤΑΣΤΑΣΗ ΤΟΥ ΒΡΑΧΙΟΝΑ ΣΤΗΡΙΞΗΣ

- Ο ανεμιστήρας οροφής πρέπει να εγκατασταθεί σε τέτοιο σημείο, ώστε οι άκρες των πτερυγίων να απέχουν τουλάχιστον 300 mm από τα πλησιέστερα αντικείμενα ή τους τοίχους.
- Τοποθετήστε το στοιχείο ανάρτησης σε δοκάρι της οροφής ή άλλη κατασκευή που να μπορεί να σηκώσει βάρος τουλάχιστον 65 kg, χρησιμοποιώντας παρεχόμενες δύο μακριές βίδες. Βεβαιωθείτε ότι τουλάχιστον 30 mm της βίδας έχουν βιδωθεί στην κατασκευή ανάρτησης. (Εικ. 2)



ΤΟ ΔΟΚΑΡΙ ΠΡΕΠΕΙ ΝΑ
ΜΠΟΡΕΙ ΝΑ ΣΗΚΩΣΕΙ ΕΩΣ
ΚΑΙ 65 KG

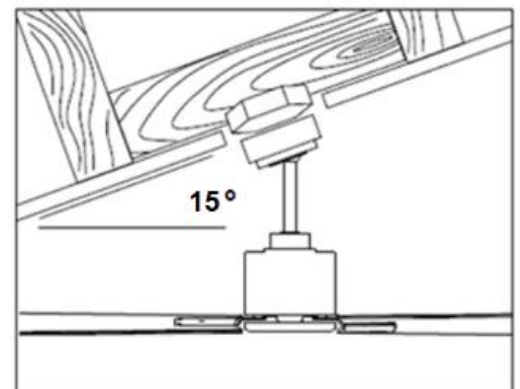
ΣΗΜΕΙΩΣΗ: Η ΕΙΚΟΝΑ ΕΙΝΑΙ ΕΝΔΕΙΚΤΙΚΗ ΚΑΙ ΔΕΝ
ΑΝΤΑΠΟΚΡΙΝΕΤΑΙ ΣΤΟΝ ΠΡΑΓΜΑΤΙΚΟ ΒΡΑΧΙΟΝΑ

Εικ. 2

ΣΗΜΕΙΩΣΗ: Οι παρεχόμενες βίδες στερέωσης είναι κατάλληλες μόνο για ξύλο. Για κατασκευές από άλλο υλικό, εκτός ξύλου, θα ΠΡΕΠΕΙ να χρησιμοποιηθεί ο κατάλληλος τύπος βίδας. Βεβαιωθείτε ότι οι χρησιμοποιούμενες βίδες είναι κατάλληλες για την επιφάνεια προσάρτησης και τον περιβάλλοντα χώρο.

ΤΟΠΟΘΕΤΗΣΗ ΣΕ ΟΡΟΦΗ ΥΠΟ ΚΛΙΣΗ

Αυτό το σύστημα ανάρτησης ανεμιστήρα επιτρέπει την εγκατάσταση του ανεμιστήρα στην οροφή υπό κλίση έως και 15 μοιρών.



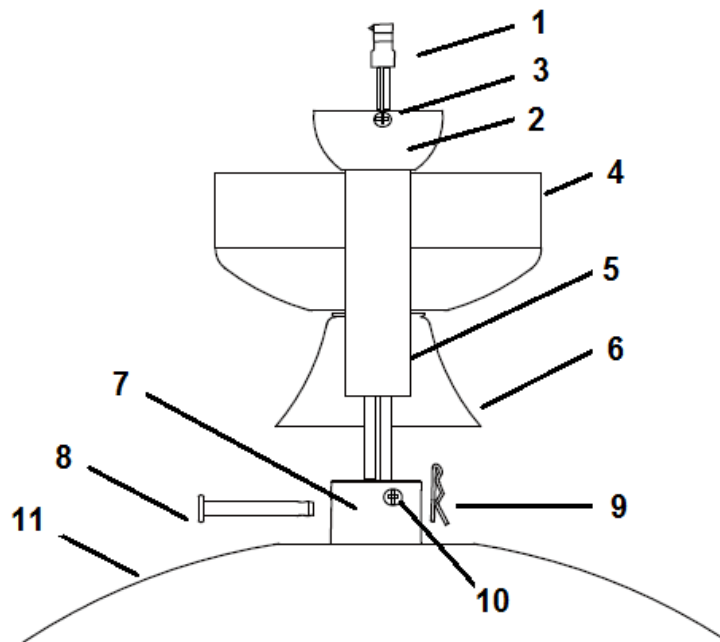
Εικ. 3



ΕΓΚΑΤΑΣΤΑΣΗ ΤΟΥ ΑΝΕΜΙΣΤΗΡΑ

ΤΟΠΟΘΕΤΗΣΗ ΤΗΣ ΚΑΘΕΤΗΣ ΡΑΒΔΟΥ (Εικ. 4)

1. Χαλαρώστε τη βίδα ασφάλισης (3) και αφαιρέστε τον ένσφαιρο σύνδεσμο (2) και την κοπίλια από την κάθετη ράβδο (5).
- Μην πετάξετε αυτά τα εξαρτήματα διότι απαιτούνται για την επανασυναρμολόγηση αργότερα.
2. Περάστε τα καλώδια και το βύσμα (1) μέσα από την κάθετη ράβδο (5).
3. Τοποθετήστε την κάθετη ράβδο (5) μέσα στο κάλυμμα σύνδεσης κάθετης ράβδου (7), ευθυγραμμίστε τις οπές κάλυμμα σύνδεσης κάθετης ράβδου με τις οπές στην κάθετη ράβδο, περάστε την περόνη ασφάλισης (8) μέσα στις οπές και ασφαλίστε με την κοπίλια (9).
4. Ασφαλίστε την κάθετη ράβδο (5), συσφίγγοντας τις δύο βίδες ασφάλισης (10) στο σύνδεσμο (7).
5. Ωθήστε το κάλυμμα σύνδεσης κάθετης ράβδου (6) πάνω από την κάθετη ράβδο (7).
6. Ωθήστε τη ροζέτα (4) πάνω από την κάθετη ράβδο (5).
7. Τοποθετήστε ξανά τον ένσφαιρο σύνδεσμο και την κοπίλια στην κάθετη ράβδο (5) και ασφαλίστε, συσφίγγοντας τη βίδα ασφάλισης (3).

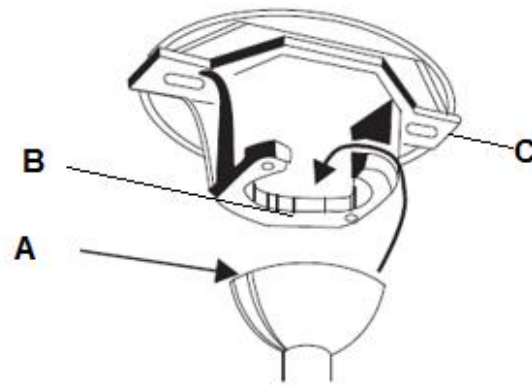


Εικ. 4

ΑΝΑΡΤΗΣΗ ΤΟΥ ΑΝΕΜΙΣΤΗΡΑ

Ανασηκώστε και τοποθετήστε τη μονάδα ανεμιστήρα πάνω στο βραχίονα στήριξης. Βεβαιωθείτε ότι σχισμή ασφάλισης (A) στη ροζέτα είναι κουμπωμένη στον πείρο ασφάλισης (B) του βραχίονα στήριξης (C), ώστε να μην περιστρέφεται ο ανεμιστήρας κατά τη λειτουργία. (Εικ. 5)



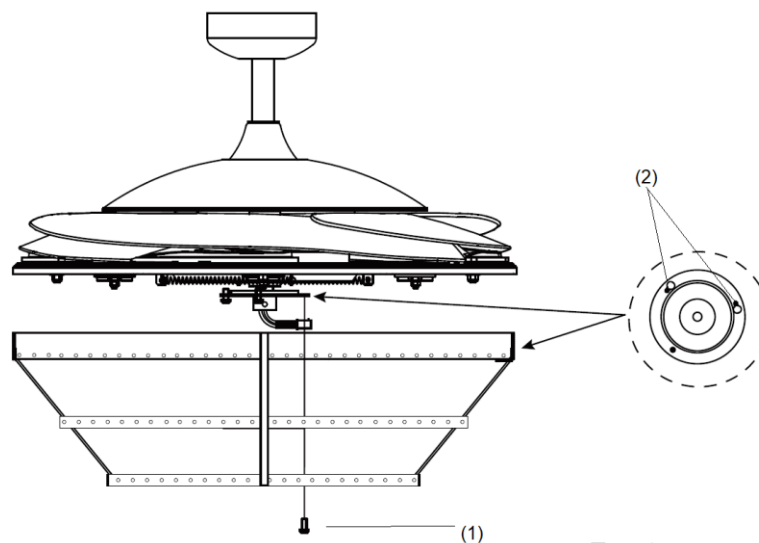


Εικ. 5

ΤΟΠΟΘΕΤΗΣΗ ΤΟΥ ΚΙΤ ΦΩΤΙΣΤΙΚΟΥ

ΤΟΠΟΘΕΤΗΣΗ ΤΟΥ ΚΙΤ ΦΩΤΙΣΤΙΚΟΥ (Εικ. 6 και 7)

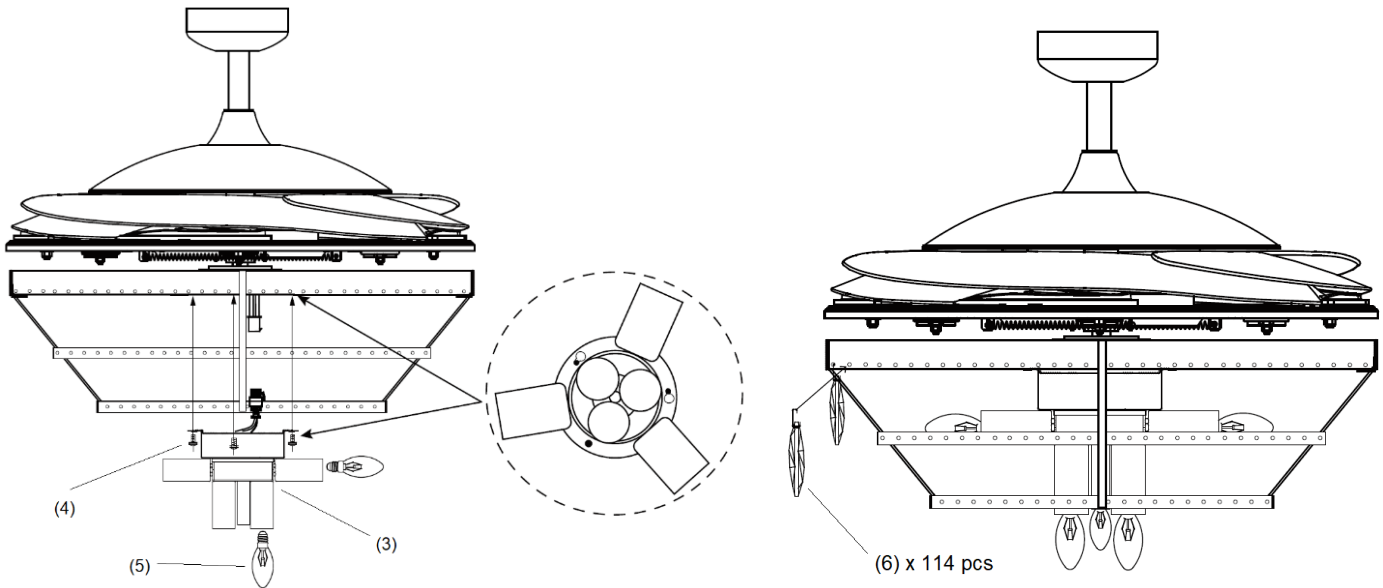
1. Χαλαρώστε τη βίδα (1) στο βραχίονα του ανεμιστήρα. Ευθυγραμμίστε τις δύο βίδες με τις οπές (2) στο βραχίονα στήριξης του κιτ φωτιστικού. (Εικ. 6)
2. Περιστρέψτε το κιτ φωτιστικού αριστερόστροφα, μέχρι να ασφαλίσουν οι βίδες στην άκρη των οπών (2).
3. Ασφαλίστε τη βίδα (1) στο βραχίονα του καπέλου του φωτιστικού. Σφίξτε και τις τρεις βίδες. Μην συσφίγγετε υπερβολικά.



Εικ. 6

4. Συνδέστε τον ταχυσύνδεσμο στο ντουί του λαμπτήρα (3). (Εικ. 7)
5. Στερεώστε το ντουί (3) στο στοιχείο ανάρτησης του κιτ φωτιστικού, συσφίγγοντας τις 3 βίδες (4). Μην συσφίγγετε υπερβολικά.
6. Τοποθετήστε τους λαμπτήρες (5) στα ντουί. Μην υπερβαίνετε τις μέγιστες επιτρεπόμενες τιμές ρεύματος.
7. Εγκαταστήστε τις διακοσμητικές σταγόνες (6) στο κιτ φωτιστικού.





Εικ. 7

ΗΛΕΚΤΡΟΛΟΓΙΚΟ ΔΙΑΓΡΑΜΜΑ ΤΟΥ ΑΝΕΜΙΣΤΗΡΑ

ΠΡΟΕΙΔΟΠΟΙΗΣΗ: ΓΙΑ ΤΗ ΔΙΚΗ ΣΑΣ ΑΣΦΑΛΕΙΑ, ΟΛΕΣ ΟΙ ΗΛΕΚΤΡΙΚΕΣ ΣΥΝΔΕΣΕΙΣ ΠΡΕΠΕΙ ΝΑ ΠΡΑΓΜΑΤΟΠΟΙΗΘΟΥΝ ΑΠΟ ΕΠΑΓΓΕΛΜΑΤΙΑ ΗΛΕΚΤΡΟΛΟΓΟ.

ΣΗΜΕΙΩΣΗ: Η ΣΤΑΘΕΡΗ ΚΑΛΩΔΙΩΣΗ ΠΡΕΠΕΙ ΝΑ ΔΙΑΘΕΤΕΙ ΕΝΑΝ ΕΠΙΠΡΟΣΘΕΤΟ ΔΙΑΚΟΠΤΗ ΑΠΟΣΥΝΔΕΣΗΣ ΟΛΩΝ ΤΩΝ ΠΟΛΩΝ.

Βλ. Εικ. 8 παρακάτω για οδηγίες σχετικά με την καλωδίωση του ανεμιστήρα.

- Συνδέστε το «ΡΕΥΜΑΤΟΦΟΡΟ» καλώδιο στον ακροδέκτη «L» στην πλακέτα σύνδεσης ακροδεκτών του βραχίονα στήριξης.
- Συνδέστε το «ΟΥΔΕΤΕΡΟ» καλώδιο στον ακροδέκτη «N» στην πλακέτα σύνδεσης ακροδεκτών του βραχίονα στήριξης.
- Συνδέστε το καλώδιο «ΓΕΙΩΣΗΣ» στον ακροδέκτη «⊕» στην πλακέτα σύνδεσης ακροδεκτών του βραχίονα.
- Κρεμάστε τον ανεμιστήρα (ανατρέξτε στην ενότητα «Ανάρτηση του ανεμιστήρα», Εικ. 5, σελίδα 6).
- Συνδέστε τον ταχυσύνδεσμο από το βραχίονα (στοιχείο 1) στον ταχυσύνδεσμο εισόδου ηλεκτρικής τροφοδοσίας του δέκτη (στοιχείο 2).
- Συνδέστε τον ταχυσύνδεσμο εξόδου του δέκτη (στοιχείο 3) στον ταχυσύνδεσμο του ανεμιστήρα (στοιχείο 4).
- Τοποθετήστε προσεκτικά το δέκτη τηλεχειρισμού πάνω από τη ροζέτα, στον προβλεπόμενο χώρο του βραχίονα στήριξης. Προσέξτε να μην καταστραφούν και να μην αποσυνδεθούν τα καλώδια (στοιχείο 5 και Εικ. 9).



Τάση
τροφοδοσίας
220-240 VAC

Γείωση

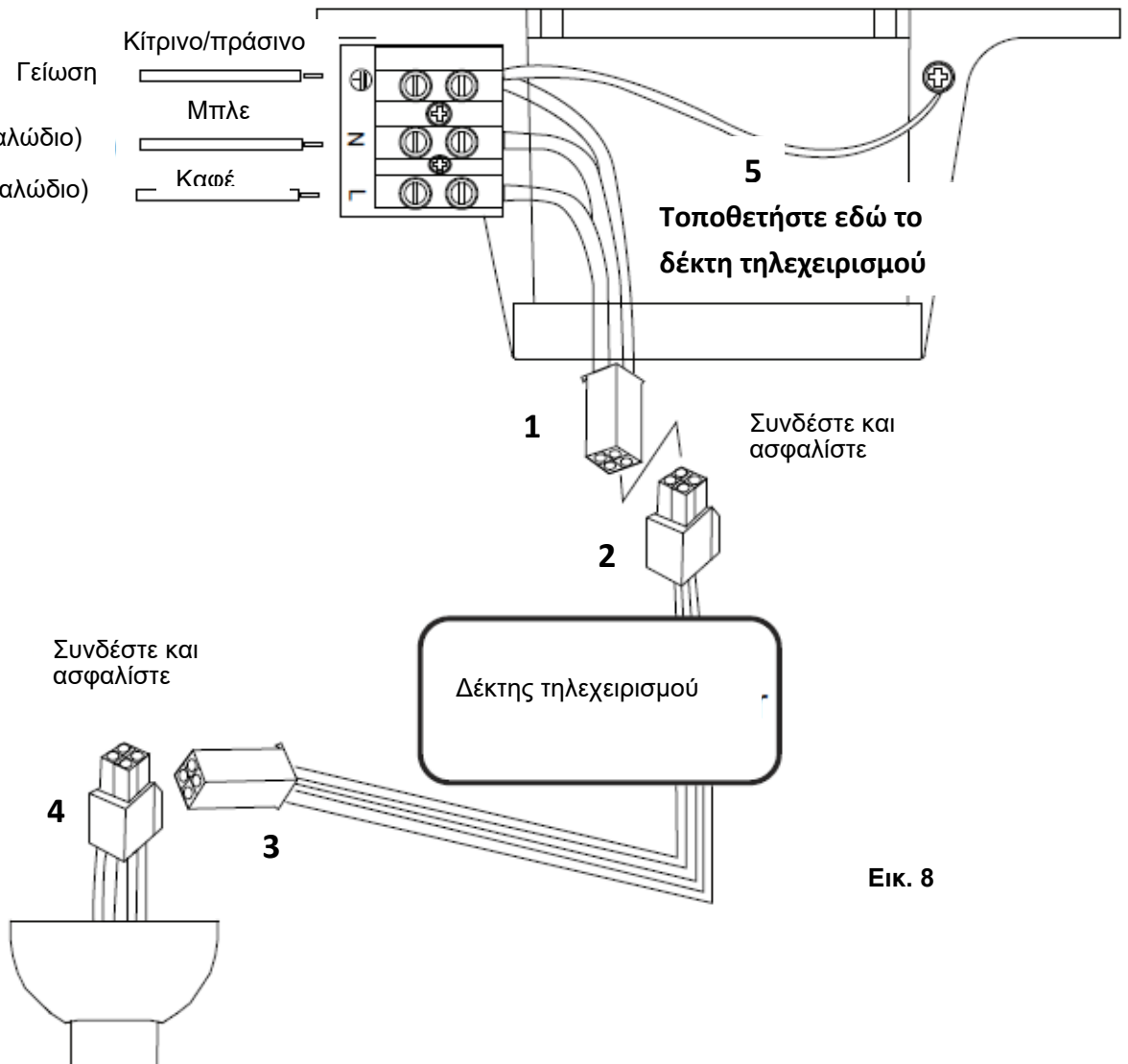
Κίτρινο/πράσινο

Μπλε

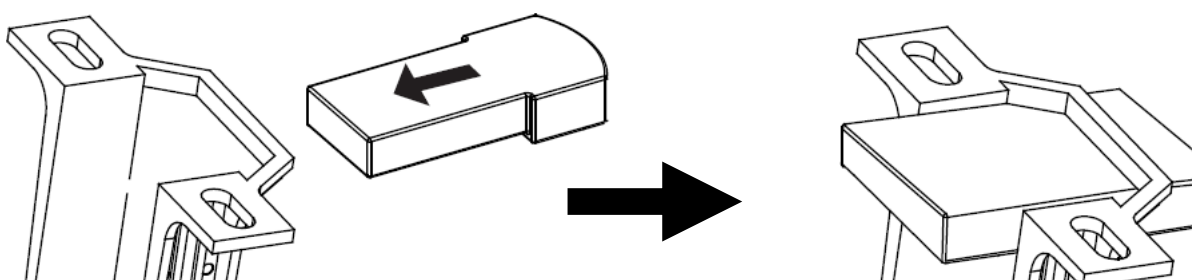
N (ουδέτερο καλώδιο)

Καφέ

L (ρευματοφόρο καλώδιο)



Εικ. 8

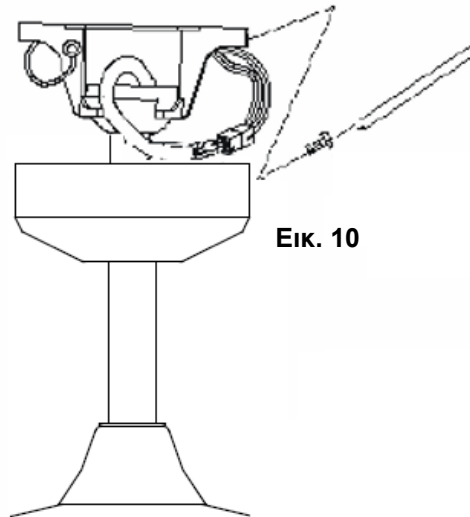


Εικ. 9



ΟΛΟΚΛΗΡΩΣΗ ΕΓΚΑΤΑΣΤΑΣΗΣ

- Αφού ολοκληρώσετε τις ηλεκτρικές συνδέσεις στην πλακέτα σύνδεσης ακροδεκτών του βραχίονα στήριξης, συνδέστε τα καλώδια του ανεμιστήρα οροφής με τον ταχυσύνδεσμο.
- Βεβαιωθείτε ότι τα καλώδια γείωσης έχουν συνδεθεί σωστά και με ασφάλεια, διεξάγοντας δοκιμή συνέχειας γείωσης από το προσβάσιμο μεταλλικό σώμα του ανεμιστήρα και τη βάση του λαμπτήρα προς την πλακέτα σύνδεσης ακροδεκτών του βραχίονα στήριξης.
- Καλύψτε το βραχίονα στήριξης με τη ροζέτα. Βεβαιωθείτε ότι έχετε κρύψει όλα τα καλώδια μέσα στη ροζέτα και ότι δεν προκλήθηκε καμία ζημιά στα καλώδια κατά τη διάρκεια αυτού του βήματος. Στερεώστε τη ροζέτα στο βραχίονα ανάρτησης με τις παρεχόμενες βίδες. (Εικ. 10)
- Ενεργοποιήστε την τροφοδοσία ρεύματος του ανεμιστήρα. Ελέγξτε τις λειτουργίες του ανεμιστήρα ή χρησιμοποιήστε τον ανεμιστήρα, σύμφωνα με τις οδηγίες της ενότητας «ΧΡΗΣΗ ΤΟΥ ΑΝΕΜΙΣΤΗΡΑ ΟΡΟΦΗΣ» του εγχειριδίου οδηγιών.



ΧΡΗΣΗ ΤΟΥ ΑΝΕΜΙΣΤΗΡΑ ΟΡΟΦΗΣ

Αυτός ο ανεμιστήρας οροφής ελέγχεται από το τηλεχειριστήριο. Υπάρχουν 4 κουμπιά (HI, MED, LOW, OFF) που ελέγχουν την ταχύτητα του ανεμιστήρα και ένα κουμπί ενεργοποίησης και απενεργοποίησης του φωτιστικού. **Εικ. 13**

Προτού χρησιμοποιήσετε το τηλεχειριστήριο, λάβετε υπόψη τα ακόλουθα.

- Για να λειτουργήσει το τηλεχειριστήριο, απαιτούνται 2 μπαταρίες AAA 1,5 V (τύπος). Αφαιρέστε το κάλυμμα της θήκης μπαταριών στην πίσω πλευρά του τηλεχειριστηρίου και τοποθετήστε 2 μπαταρίες AAA. Βεβαιωθείτε ότι οι πόλοι των μπαταριών έχουν τον σωστό προσανατολισμό, όπως φαίνεται στη θήκη μπαταριών. (Εικ.11) (Οι μπαταρίες δεν περιλαμβάνονται.)
- Το τηλεχειριστήριο (πομπός) και ο δέκτης πρέπει να ρυθμιστούν, ώστε να υπάρχει σύζευξη επικοινωνίας μεταξύ τους. Για να γίνει αυτό, οι συστοιχίες μικροδιακοπών DIP στο δέκτη και στο τηλεχειριστήριο θα πρέπει να έχουν την ίδια ρύθμιση. (Εικ. 12)

Σημείωση: Η συστοιχία μικροδιακοπών DIP περιλαμβάνει 4 διακόπτες που μπορούν να ρυθμιστούν

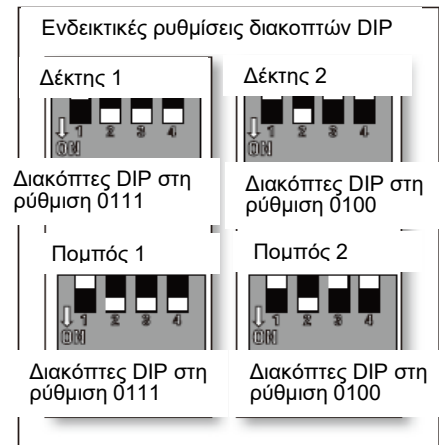


με 16 διαφορετικούς συνδυασμούς κωδικών μετάδοσης. Αυτό είναι χρήσιμο όταν υπάρχουν περισσότερα από 1 ζεύγη τηλεχειριστηρίου/δέκτη που λειτουργούν τοπικά ή στο ίδιο δωμάτιο.

Σημείωση: Για να βρείτε τους διακόπτες DIP του δέκτη, αφαιρέστε το κάλυμμα των διακοπών DIP.



Εικ. 11 Υποδοχή μπαταριών τηλεχειριστηρίου



Εικ. 12 Διακόπτης DIP δέκτη

ΛΕΙΤΟΥΡΓΙΑ ΤΟΥ ΤΗΛΕΧΕΙΡΙΣΤΗΡΙΟΥ:

Προτού να χρησιμοποιήσετε το τηλεχειριστήριο, διαβάστε αυτή την ενότητα και εξοικειωθείτε με τα κουμπιά και τις λειτουργίες κάθε κουμπιού.

Ενδεικτική λυχνία LED

Η κόκκινη ενδεικτική λυχνία LED στο πάνω μέρος του τηλεχειριστηρίου θα αναβοσβήνει όταν είναι ενεργά τα κουμπιά.

ΚΟΥΜΠΙΑ ΣΤΟ ΤΗΛΕΧΕΙΡΙΣΤΗΡΙΟ

HI: Πατήστε αυτό το κουμπί για τη λειτουργία του ανεμιστήρα στην υψηλή ταχύτητα.

MED: Πατήστε αυτό το κουμπί για τη λειτουργία του ανεμιστήρα στη μεσαία ταχύτητα.

LOW: Πατήστε αυτό το κουμπί για τη λειτουργία του ανεμιστήρα στη χαμηλή ταχύτητα.

OFF: Πατήστε αυτό το κουμπί για να απενεργοποιήσετε τον ανεμιστήρα.



Εικ. 13

: Πατήστε αυτό το κουμπί για να

ενεργοποιήσετε/απενεργοποιήσετε το φωτιστικό.

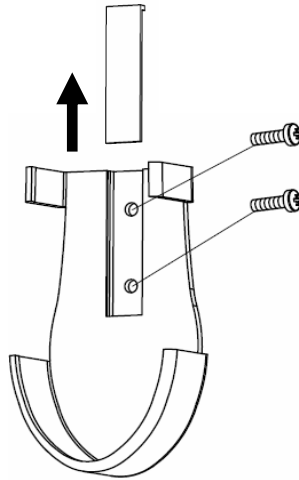
Το τηλεχειριστήριο διαθέτει λειτουργία μνήμης. Εάν σβήσετε τον ανεμιστήρα ή το φωτιστικό από το διακόπτη



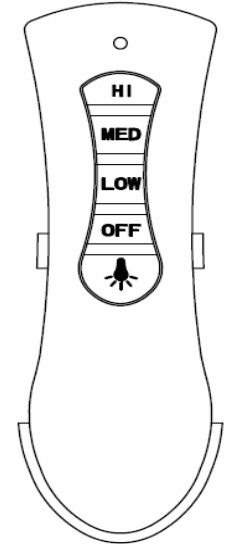
απομόνωσης, το σύστημα θα απομνημονεύσει την τελευταία κατάσταση λειτουργίας της συσκευής και θα την επαναφέρει όταν θα ενεργοποιήσετε εκ νέου τον ανεμιστήρα.

ΤΟΠΟΘΕΤΗΣΗ ΤΗΣ ΒΑΣΗΣ ΓΙΑ ΤΟ ΤΗΛΕΧΕΙΡΙΣΤΗΡΙΟ (Εικ. 15)

1. Βρείτε έναν κατάλληλο τοίχο ή άλλη κατάλληλη επιφάνεια για να στερεώσετε την επιτοίχια βάση του τηλεχειριστηρίου.
2. Αφαιρέστε το βιδωτό κάλυμμα και εγκαταστήστε τη βάση με τις 2 βίδες. Επανατοποθετήστε το βιδωτό κάλυμμα. (Εικ. 15a).
3. Τοποθετήστε το τηλεχειριστήριο στη βάση. (Εικ. 15a).



Εικ. 15a



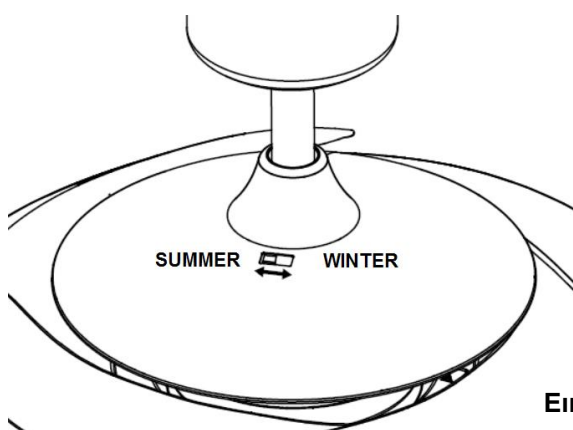
Εικ. 15b

ΛΕΙΤΟΥΡΓΙΑ ΑΝΑΣΤΡΟΦΗΣ (Εικ. 15)

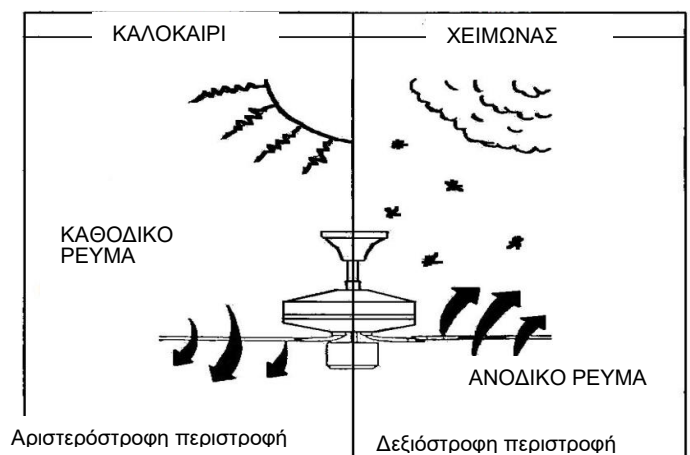
Αυτός ο ανεμιστήρας οροφής μπορεί να λειτουργήσει σε θερινή και χειμερινή λειτουργία.

ΘΕΡΙΝΗ λειτουργία: Όταν ο διακόπτης αναστροφής βρίσκεται στη θέση ΘΕΡΙΝΗΣ λειτουργίας, ο ανεμιστήρας περιστρέφεται αριστερόστροφα. Η ροή αέρα κατευθύνεται προς τα κάτω για ψύξη το καλοκαίρι.

ΧΕΙΜΕΡΙΝΗ λειτουργία: Όταν ο διακόπτης αναστροφής βρίσκεται στη θέση ΧΕΙΜΕΡΙΝΗΣ λειτουργίας, ο ανεμιστήρας περιστρέφεται δεξιόστροφα. Η ροή του αέρα κατευθύνεται προς τα πάνω, υποβοηθώντας την κυκλοφορία του θερμού αέρα, για εξοικονόμηση ενέργειας το χειμώνα.



Εικ. 15



ΚΑΤΟΠΙΝ ΕΓΚΑΤΑΣΤΑΣΗΣ

ΚΛΥΔΩΝΙΣΜΟΣ:

ΣΗΜΕΙΩΣΗ: Οι ανεμιστήρες οροφής έχουν την τάση να κινούνται κατά τη διάρκεια της λειτουργίας επειδή είναι στερεωμένοι πάνω σε ελαστική ροδέλα. Αν ο ανεμιστήρας ήταν στερεωμένος στην οροφή επάνω σε άκαμπτα στοιχεία, αυτό θα προκαλούσε υπερβολικές δονήσεις. Η μετακίνηση κατά μερικά εκατοστά είναι αποδεκτή και ΔΕΝ συνιστά πρόβλημα.

ΓΙΑ ΝΑ ΠΕΡΙΟΡΙΣΕΤΕ ΤΟΝ ΚΛΥΔΩΝΙΣΜΟ ΤΟΥ ΑΝΕΜΙΣΤΗΡΑ:

Βεβαιωθείτε ότι όλες οι βίδες που συγκρατούν το βραχίονα στήριξης και την κάθετη ράβδο είναι καλά συσφιγμένες.

ΣΗΜΕΙΩΣΗ: Αυτός ο ανεμιστήρας έχει ισοσταθμιστεί με ακρίβεια στο εργοστάσιο και δεν χρειάζεται να ισοσταθμιστεί ξανά.

ΘΟΡΥΒΟΣ:

Όταν επικρατεί ησυχία (ιδιαίτερα τη νύχτα), ενδέχεται να ακούσετε σποραδικά μικρούς θορύβους. Μικρές διακυμάνσεις της έντασης ρεύματος και παρεμβολές σημάτων συχνότητας στο ηλεκτρικό κύκλωμα θέρμανσης νερού εκτός ωρών αιχμής μπορεί να αλλάξουν το θόρυβο του μοτέρ του ανεμιστήρα. Αυτό είναι φυσιολογικό. Περιμένετε ένα 24ωρο ώσπου να εξομαλυνθεί η λειτουργία του ανεμιστήρα. Οι περισσότεροι θόρυβοι που ακούγονται όταν λειτουργεί για πρώτη φορά ο ανεμιστήρας θα εξαφανιστούν μετά από αυτό το διάστημα.

Αυτό δεν αποτελεί ελάττωμα του προϊόντος και ως τέτοιο δεν καλύπτεται από την εγγύηση – όλοι οι ηλεκτρικοί κινητήρες εκπέμπουν κάποιο θόρυβο.

ΦΡΟΝΤΙΔΑ ΚΑΙ ΚΑΘΑΡΙΣΜΟΣ

ΣΗΜΕΙΩΣΗ: Απενεργοποιείτε πάντοτε τον ανεμιστήρα από το διακόπτη προτού να πραγματοποιήσετε εργασίες συντήρησης ή καθαρισμού.

- Η μόνη συντήρηση που απαιτεί ο ανεμιστήρας οροφής είναι ο περιοδικός καθαρισμός του κάθε 6 μήνες. Χρησιμοποιήστε μια μαλακή βούρτσα ή ένα πανί που δεν αφήνει χνούδι για να μη χαράξετε τη βαφή. Απενεργοποιείτε πάντοτε τον ανεμιστήρα από το διακόπτη πριν τον καθαρισμό.
- Μη μουλιάζετε και μη βυθίζετε τον ανεμιστήρα οροφής σε νερό ή άλλα υγρά. Μπορεί να υποστεί ζημιά το μοτέρ ή τα πτερύγια, ενώ αυξάνεται ο κίνδυνος ηλεκτροπληξίας.
- Προσέξτε να μην έρθει σε επαφή ο ανεμιστήρας με οργανικούς διαλύτες ή καθαριστικά.
- Για να καθαρίσετε τα πτερύγια του ανεμιστήρα, χρησιμοποιείτε μόνο ένα καθαρό νωπό πανί, χωρίς οργανικούς διαλύτες ή καθαριστικά.
- Το μοτέρ διαθέτει ένα ένσφαιρο έδρανο μόνιμης λίπανσης, οπότε δεν απαιτεί καμία λίπανση.



ΠΡΟΦΥΛΑΞΕΙΣ ΑΣΦΑΛΕΙΑΣ ΓΙΑ ΤΗΝ ΜΠΑΤΑΡΙΑ

- **ΠΡΟΕΙΔΟΠΟΙΗΣΗ** – Φυλάσσετε τις νέες και τις χρησιμοποιημένες μπαταρίες μακριά από παιδιά.
- **ΠΡΟΣΟΧΗ** – Μην καταπίνετε τις μπαταρίες—Κίνδυνος χημικού εγκαύματος.
- Χρησιμοποιείτε πάντα 2 μπαταρίες τύπου AAA με αυτό το τηλεχειριστήριο του ανεμιστήρα οροφής.
- Τοποθετήστε τις μπαταρίες με τη σωστή πολικότητα.
- Για να μην τεθεί κατά λάθος σε λειτουργία ο ανεμιστήρας κατά την εισαγωγή ή την αντικατάσταση των μπαταριών, πρέπει να αποσυνδέσετε τον ανεμιστήρα οροφής από την παροχή ρεύματος.
- Αφαιρείτε τις μπαταρίες από το προϊόν, εφόσον δεν πρόκειται να χρησιμοποιηθεί για μεγάλο διάστημα.
- Οι μπαταρίες πρέπει να αφαιρούνται από το τηλεχειριστήριο προτού το απορρίψετε.
- Απορρίπτετε τις χρησιμοποιημένες μπαταρίες αμέσως και με ασφάλεια (έτσι ώστε να μην μπορούν να τις βρουν τα παιδιά). Οι άδειες μπαταρίες παραμένουν επικίνδυνες. Επικοινωνήστε με την τοπική δημοτική αρχή σχετικά με την ασφαλή απόρριψη της μπαταρίας.
- Ελέγχετε τακτικά το προϊόν για να βεβαιωθείτε ότι το καπάκι της θήκης μπαταριών είναι καλά ασφαλισμένο. Εάν δεν κλείνει καλά το καπάκι της θήκης μπαταριών, σταματήστε να χρησιμοποιείτε το προϊόν και φυλάξτε το μακριά από τα παιδιά.

ΤΕΧΝΙΚΑ ΧΑΡΑΚΤΗΡΙΣΤΙΚΑ

Ανεμιστήρας	Ανεμιστήρας 48" – Fanaway Veil
Μοντέλα ανεμιστήρα / Αριθ. SKU	LD-48" FAN VE / αριθμοί SKU 212922, 212923
Ονομαστική τάση	220-240V~ 50Hz
Ονομαστική ισχύς (μοτέρ)	60 W
Ονομαστική ισχύς (λαμπτήρας)	E14, 6 x έως 45 W
Βάρος	15,7 kg
Διαστάσεις ροζέτας	Υ:55 mm Διάμ.:130 mm

ΠΛΗΡΟΦΟΡΙΕΣ ΕΓΓΥΗΣΗΣ

ΣΤΗΝ ΑΥΣΤΡΑΛΙΑ / ΝΕΑ ΖΗΛΑΝΔΙΑ – Ανατρέξτε στην ξεχωριστή ΔΗΛΩΣΗ ΕΓΓΥΗΣΗΣ.

ΣΤΗΝ ΕΥΡΩΠΗ – Εάν είστε πελάτης από την Ευρώπη, απευθυνθείτε στο κατάστημα λιανικής όπου αγοράσατε τον ανεμιστήρα, για σέρβις στο πλαίσιο της εγγύησης.

