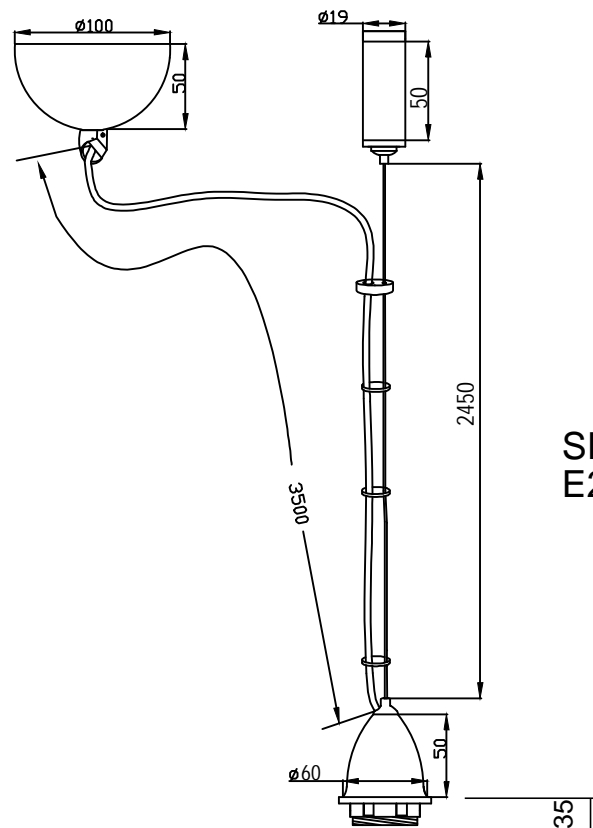
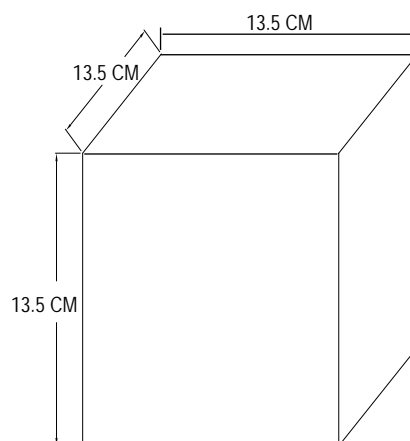


HANGING SYSTEM/ NICKLE CLEAR WIRE
+ STEEL CABLE FOR 1 LAMP
(GM0010-H1-C)



SIZE: Max.260cm H
E27, Max.40W or 8W CFL



PACKING DETAILS

Box size: 13.5 x 13.5 x 13.5 CM
Total cbm: 0.0025
G.W.: 0.54 KGS
N.W.: 0.44 KGS
Number of boxes: 1 PC