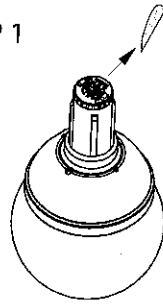


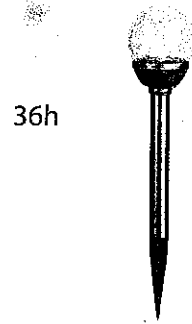
Art no 477-37,479-26

FIRST USE

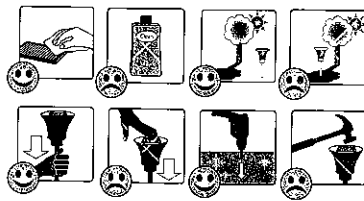
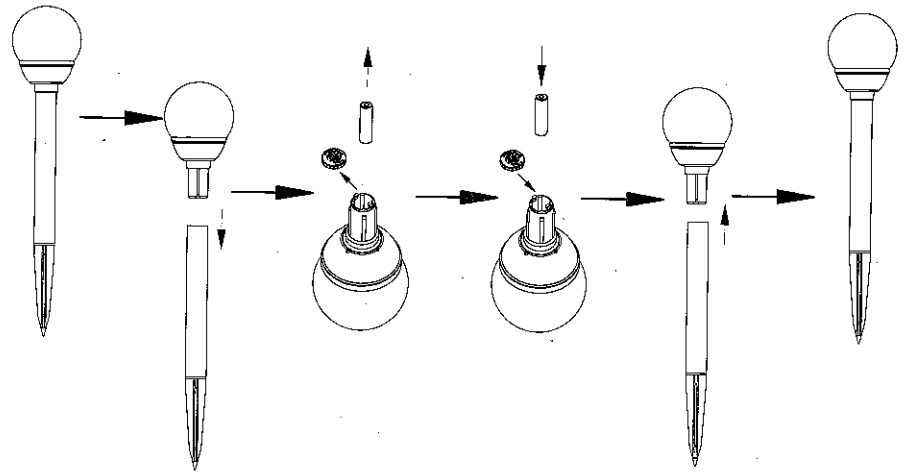
STEP 1



STEP 2



BATTERY REPLACEMENT



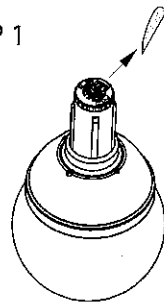
STAR
TRADING

STAR STREET 1
512 50 SVENLJUNGA
SWEDEN

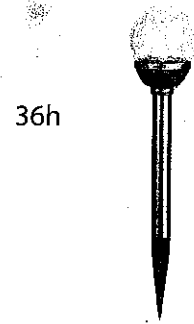
Art no 477-37,479-26

FIRST USE

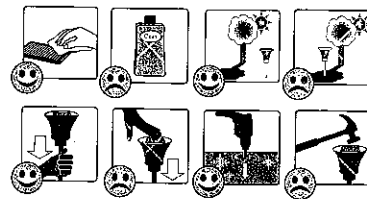
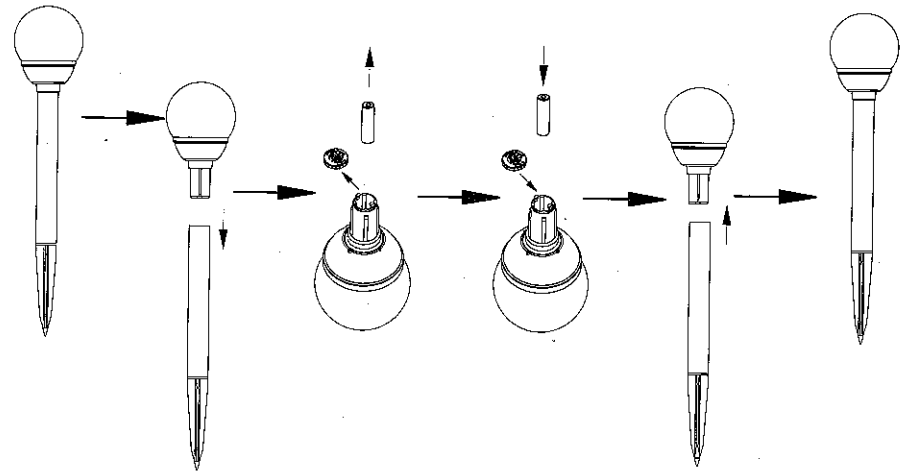
STEP 1



STEP 2



BATTERY REPLACEMENT



STAR
TRADING

STAR STREET 1
512 50 SVENLJUNGA
SWEDEN