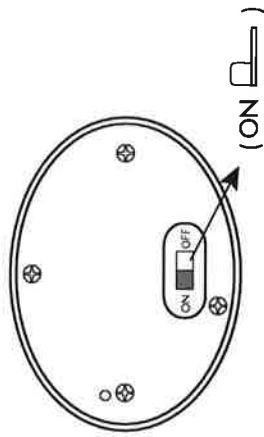


Art. No 479-85,479-86

FIRST USE

STEP 1



STEP 2.

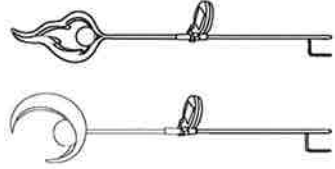


(ON )

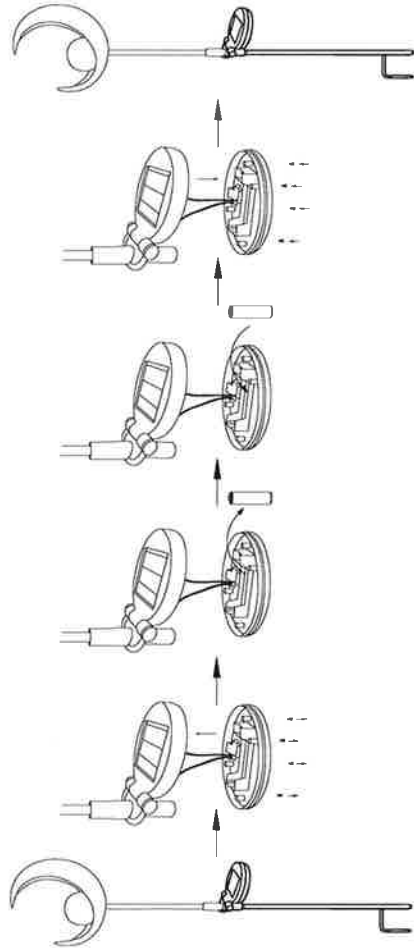


(OFF )

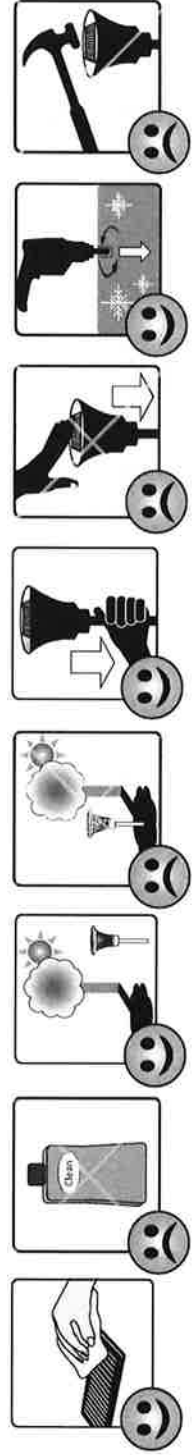
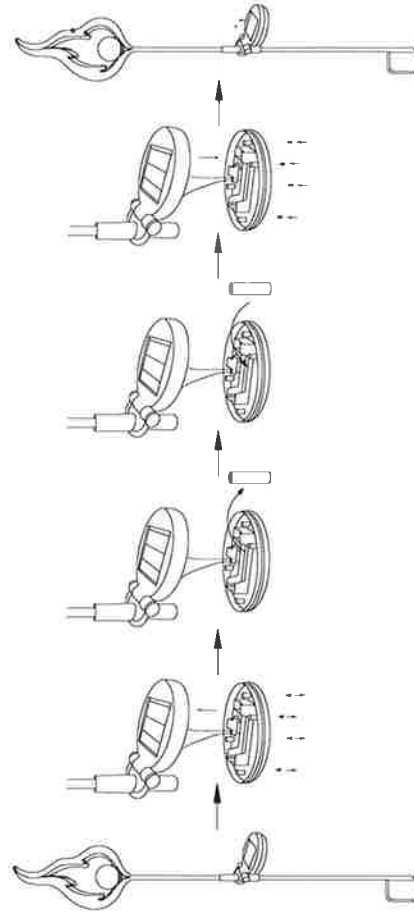
Ready after
36 h in the sun



BATTERY REPLACEMENT 479-85



BATTERY REPLACEMENT 479-86



STAR TRADING

STAR STREET 1
512 50 SVENJUNGA
SWEDEN

www.startrading.com