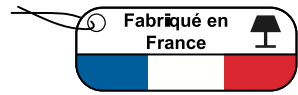
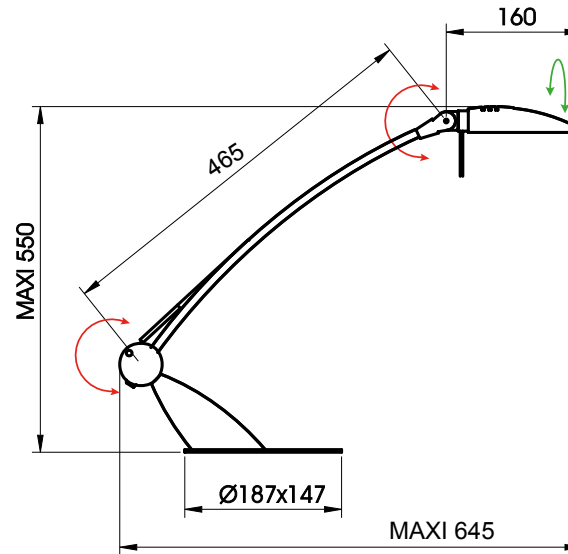


# SWINGO

## Desk lamp



The warm association of solid wood and steel in led version



The SWINGO desk lamp combines the fluidity of metal with the elegance of wood. Articulated arm on solid wood base. Adjustable reflector. Touch switch on the base to adjust 3 levels of light intensity. Integrated LED module.

### • TECHNICAL SPECIFICATIONS

Light source	LED 7W
Power	7W
Kelvin	4200K
CRI	>80
Lumen	652lm
Light efficiency	93 lm/W
Material	Steel / Wood
Color	

### • LOGISTIC SPECIFICATIONS

Packaging	1 package
Net weight	1,3 kg
Gross weight	1,3 kg
Package dimensions	TBA

### • COMMERCIAL SPECIFICATIONS

Weight	1,3 kg
Warranty	5 years
Repairability	10 years
EAN Code	3131130365091 3131130365107



# ALUMINOR

LUMINAIRES

852 CD 15, 06390 CONTES, FRANCE // +33 (0)4 93 91 60 10  
contact@aluminor.fr // www.aluminor.fr