



Paulmann

Safety Instructions

0, 1, 2, 3, 6, 11, 15, 18, 23, 25, 27



Info

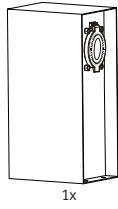
www.paulmann.com

Paulmann Licht GmbH
Quezinger Feld 2
31832 Springe
Germany

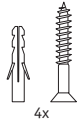
www.paulmann.com

Art.-Nr.: 943.14

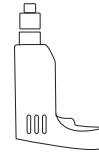
(+MA 173) PAEA 08/19



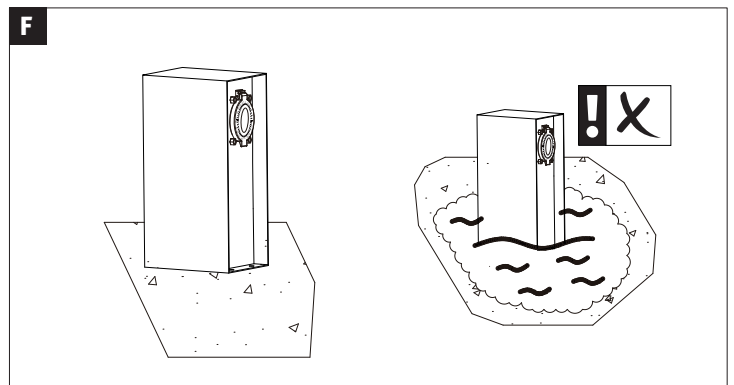
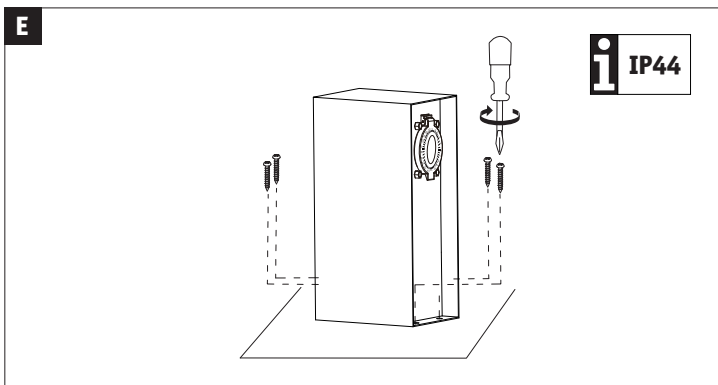
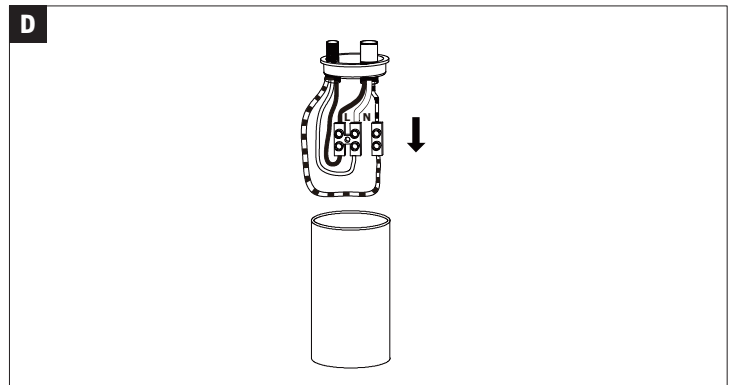
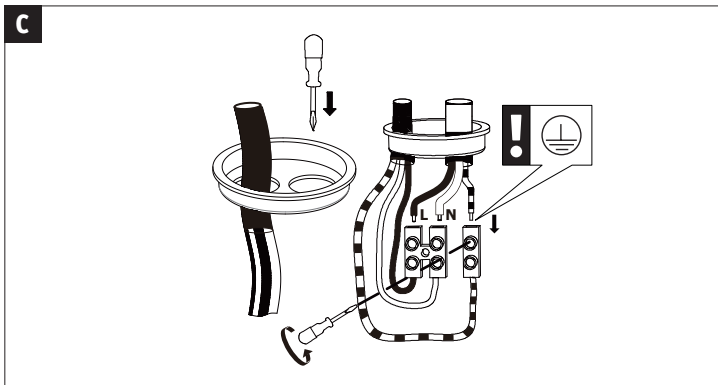
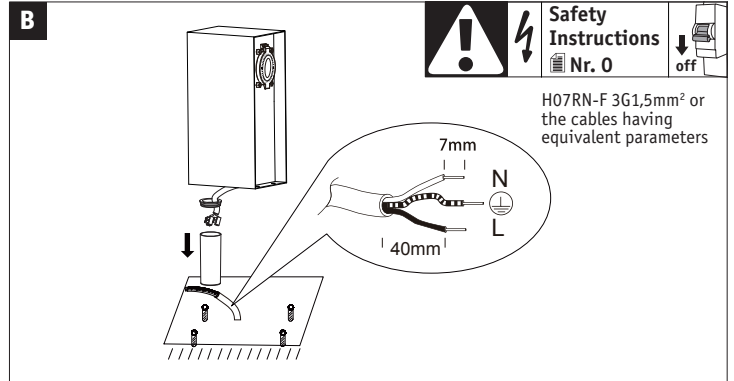
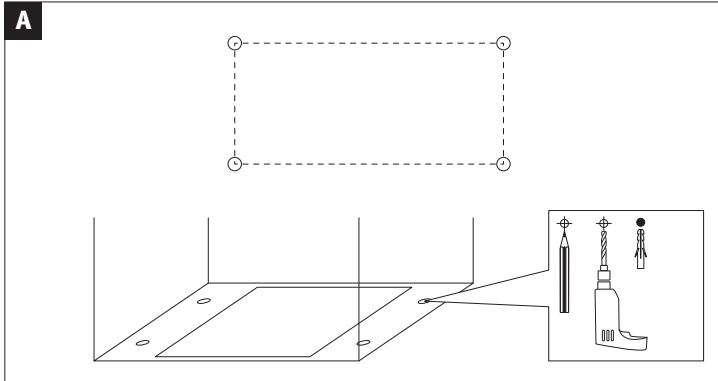
1x



4x



ø6mm





Paulmann

Safety Instructions

0, 1, 2, 3, 6, 11, 15, 18, 23, 25, 27



Info

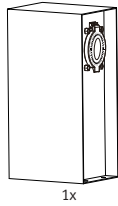
www.paulmann.com

Paulmann Licht GmbH
Quezinger Feld 2
31832 Springe
Germany

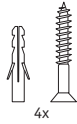
www.paulmann.com

Art.-Nr.: 943.14

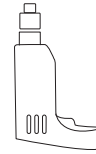
(+MA 173) PAEA 08/19



1x



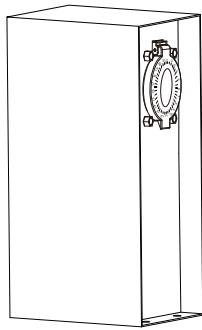
4x



ø6mm



Instruction manual for mechanical timer



Setup procedures: push indicator outside, each indicator 15min, power on when indicator is pushed to outside. e.g.: setup timer working on 8:00am-11:00 am and 13:00pm-17:00pm, only need to push all the indicators which belong to these two periods outside.

Set current time: turn the dial clockwise, make the triangle arrow point to the current moment. e.g.: current time 8:00am, turn the dial clockwise, make the triangle arrow points to the number 8.

Push green time switch to location, then the controlled electrical appliances will be set and had timer function. Push green time switch to "I" location, then no timer function for controlled electrical appliances.

Note: If the indicator which is pointed by the triangle arrow can not be pushed outside, just turn the dial clockwise and make this indicator is not pointed.

If there is power off, must recalibrate current moment

Unless change the setting, otherwise keep the same setup procedures everyday

Caution, risk of electric shock! Do not disassemble the mechanical timer. When repairing, please always consult a qualified electrician in accordance with local safety regulations for help and use original.

1

Current time

Hour indicator 1 to 24 h

Connect power and set hour indicator according to actual time

2

Time switch active 15 min

Set timer, push indicator outside (each indicator 15 min)

3

Time switch on/off

- Activate timer
 - Deactivate timer