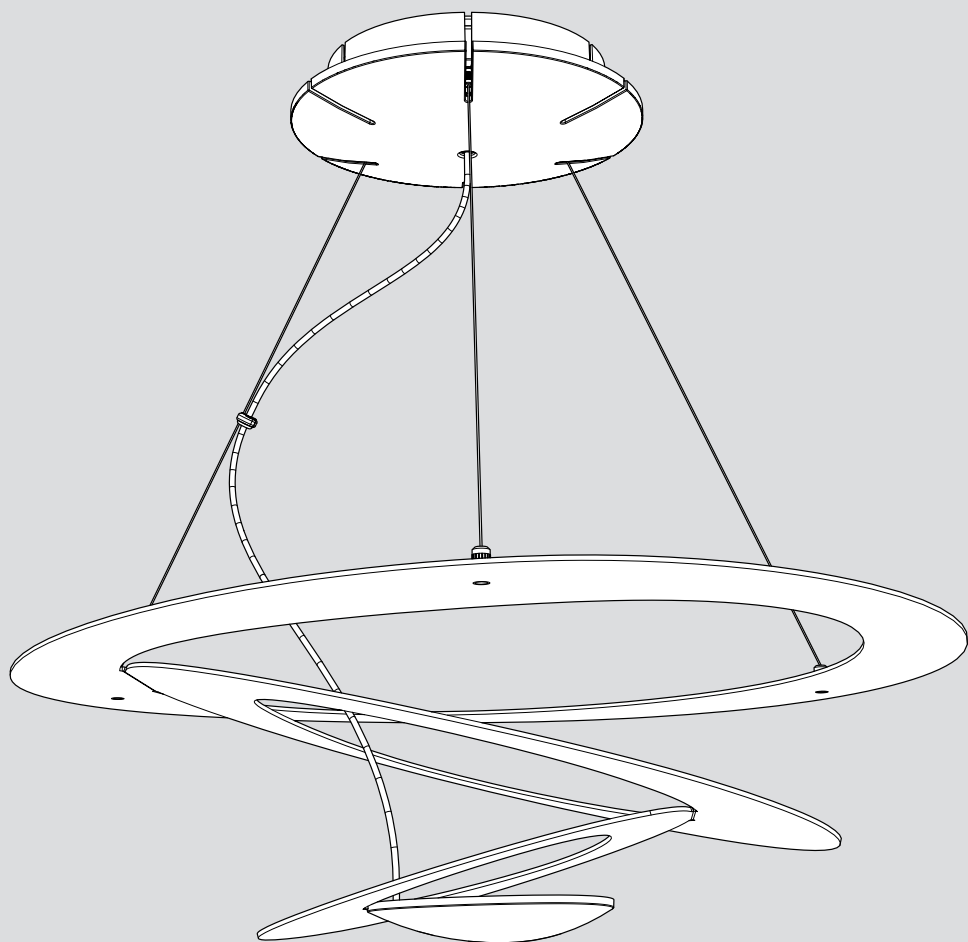


Artemide®

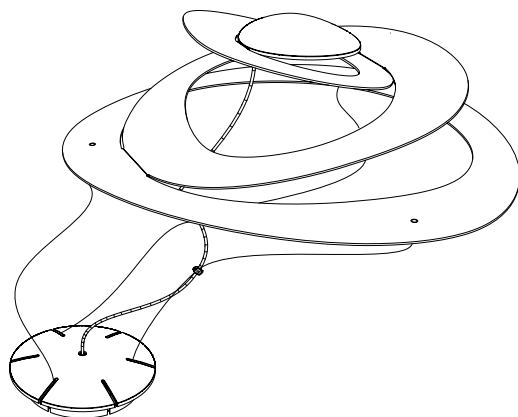
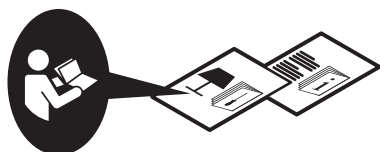
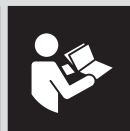
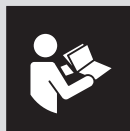
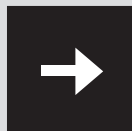
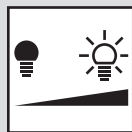
Pirce micro

design
G. M. Scutellà

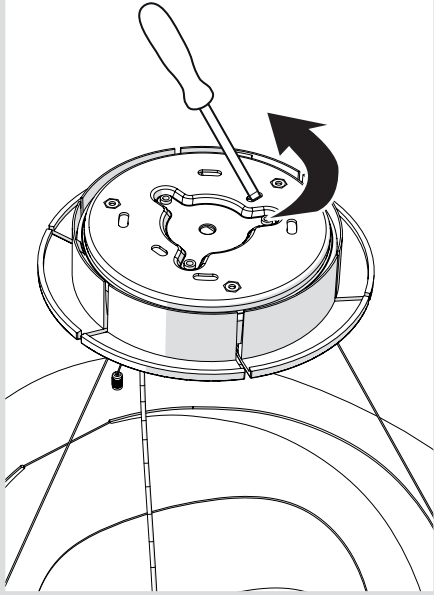




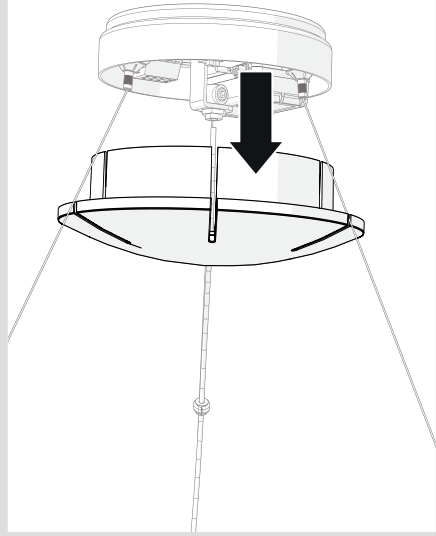
i



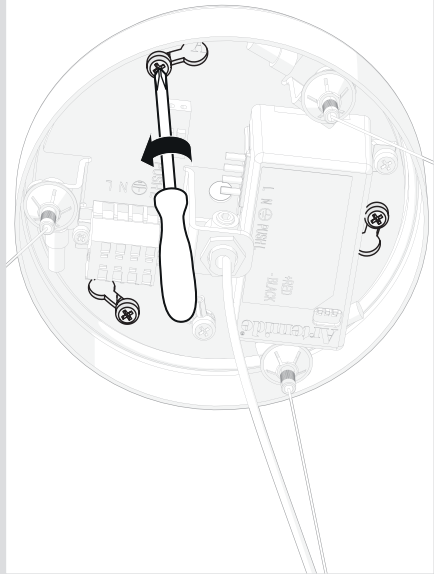
1



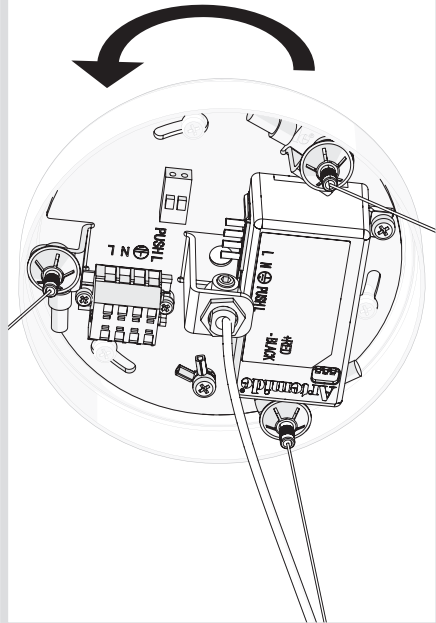
2



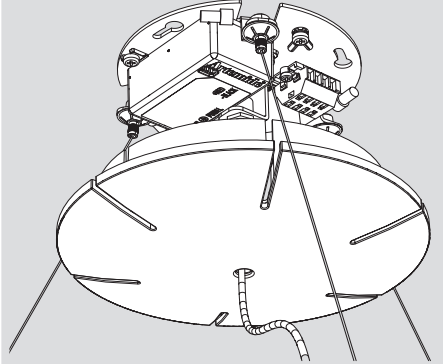
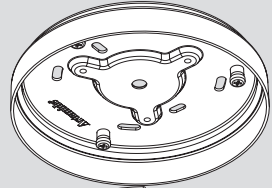
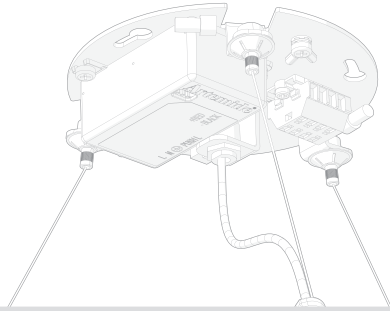
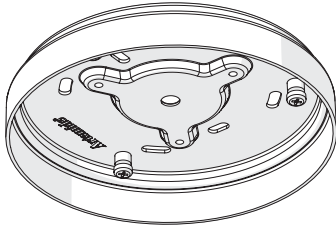
3

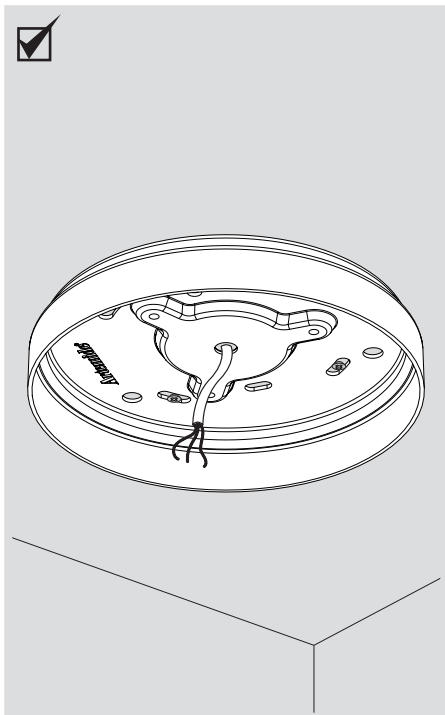
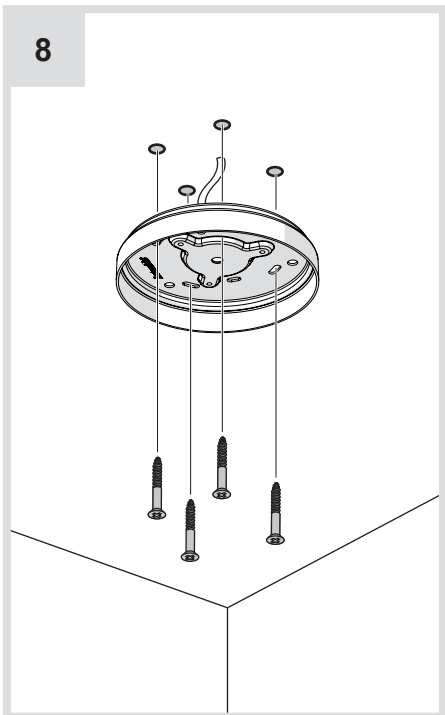
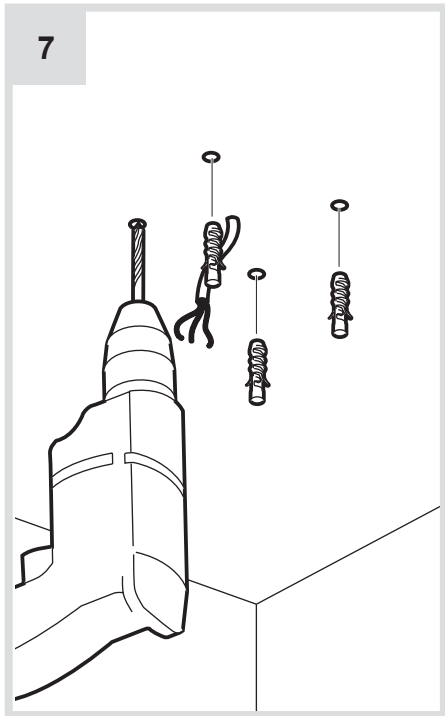
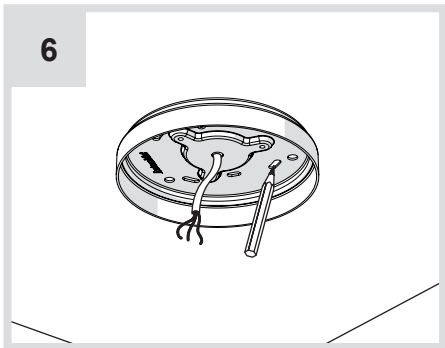
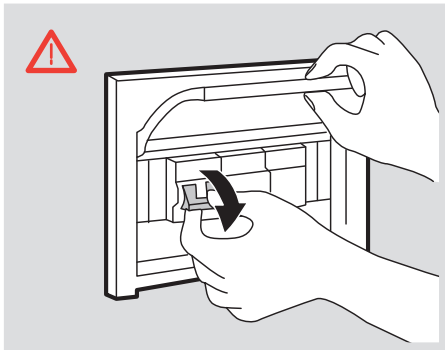


4

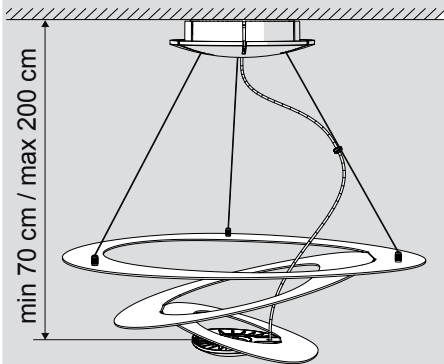


5

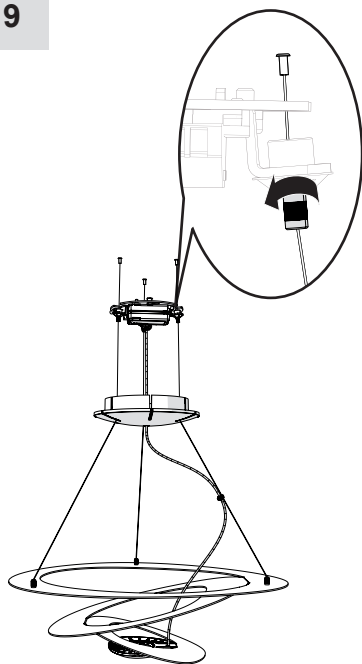




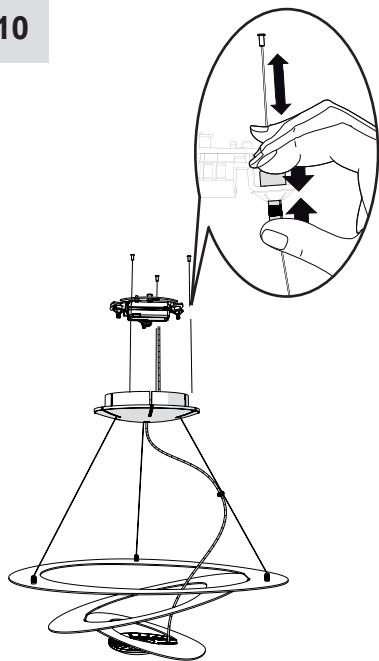
i



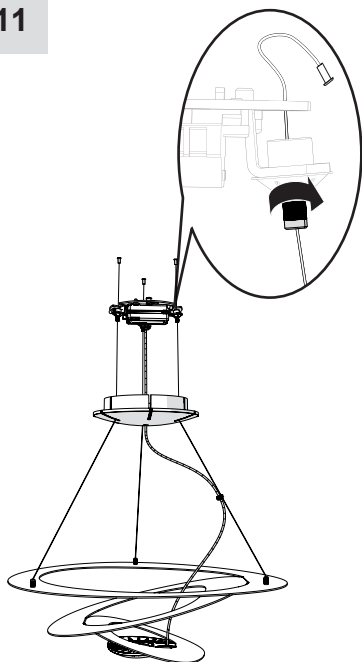
9



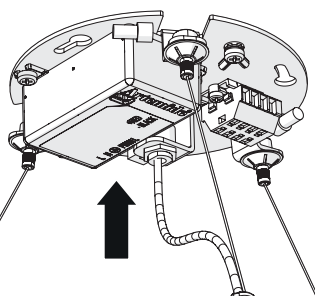
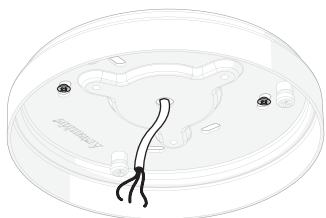
10



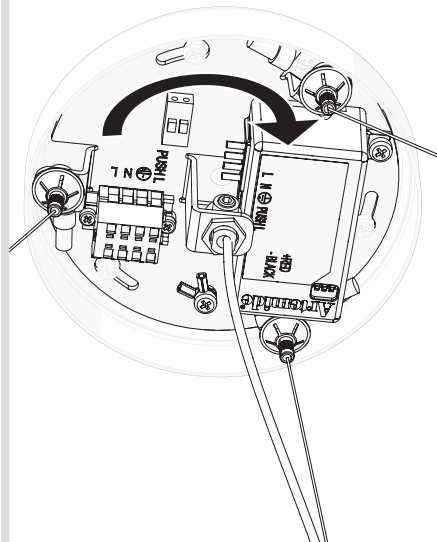
11



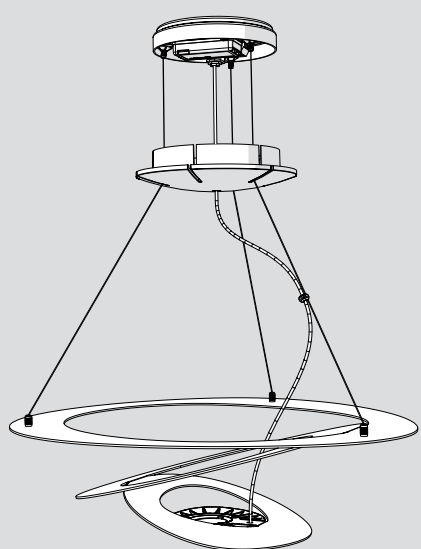
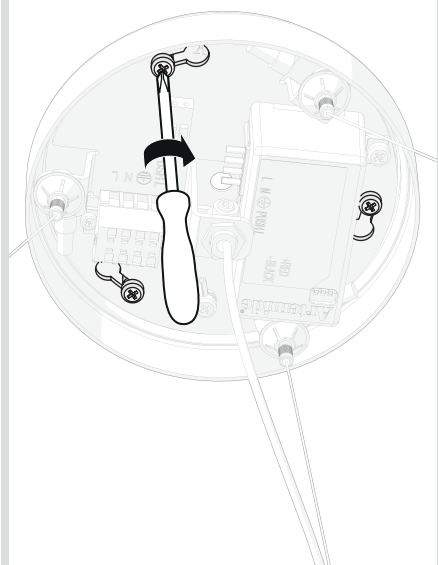
12



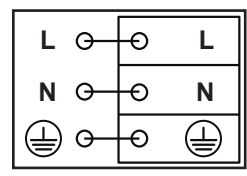
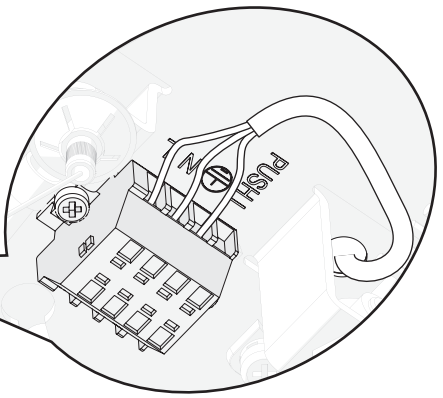
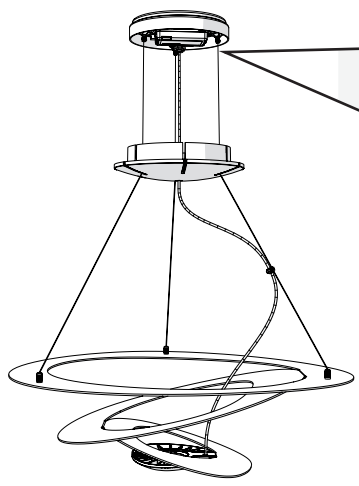
13



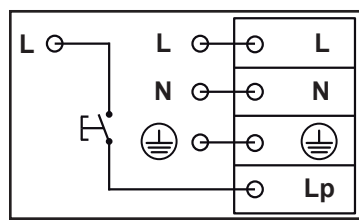
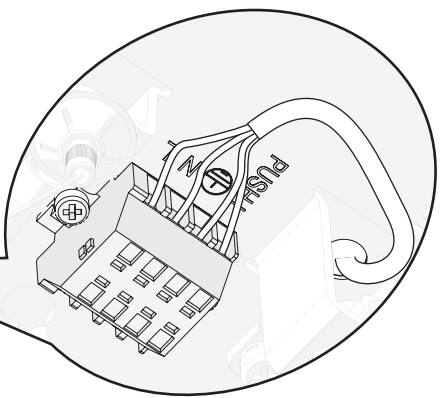
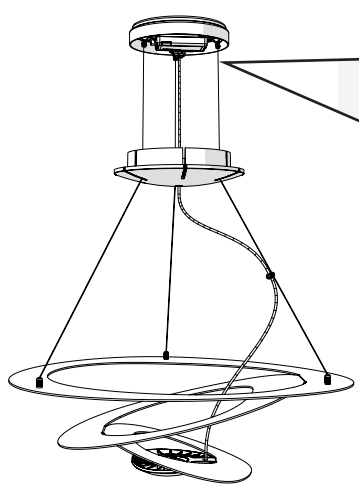
14



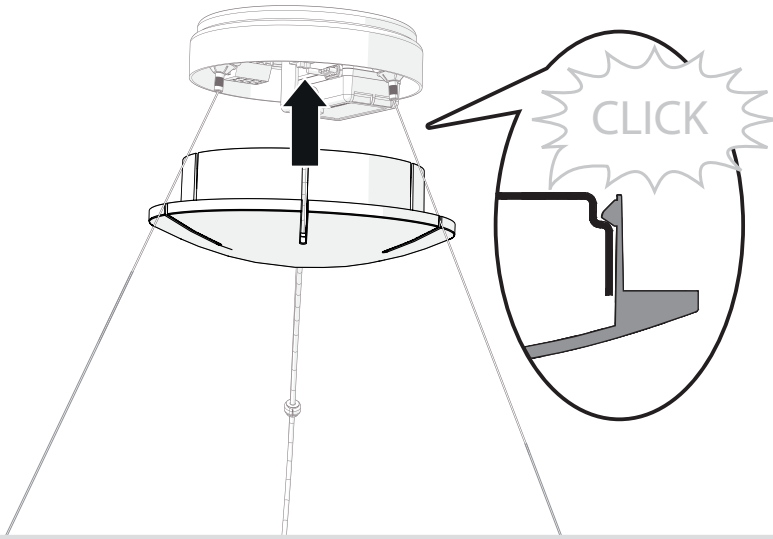
15a



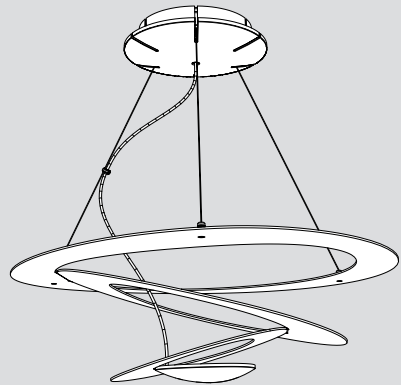
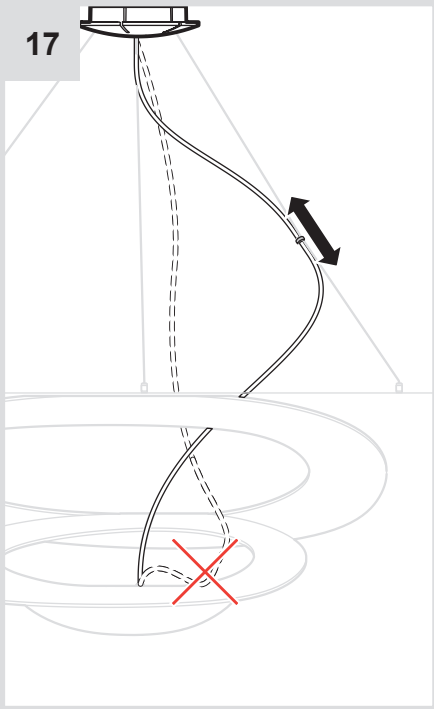
15b



16



17

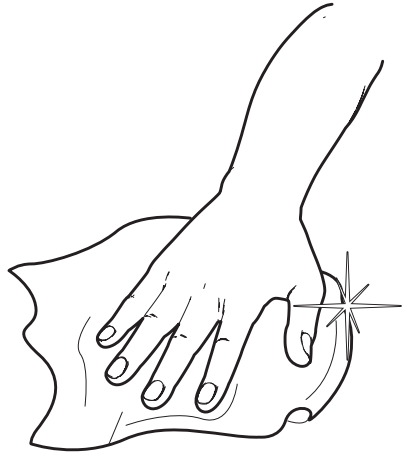


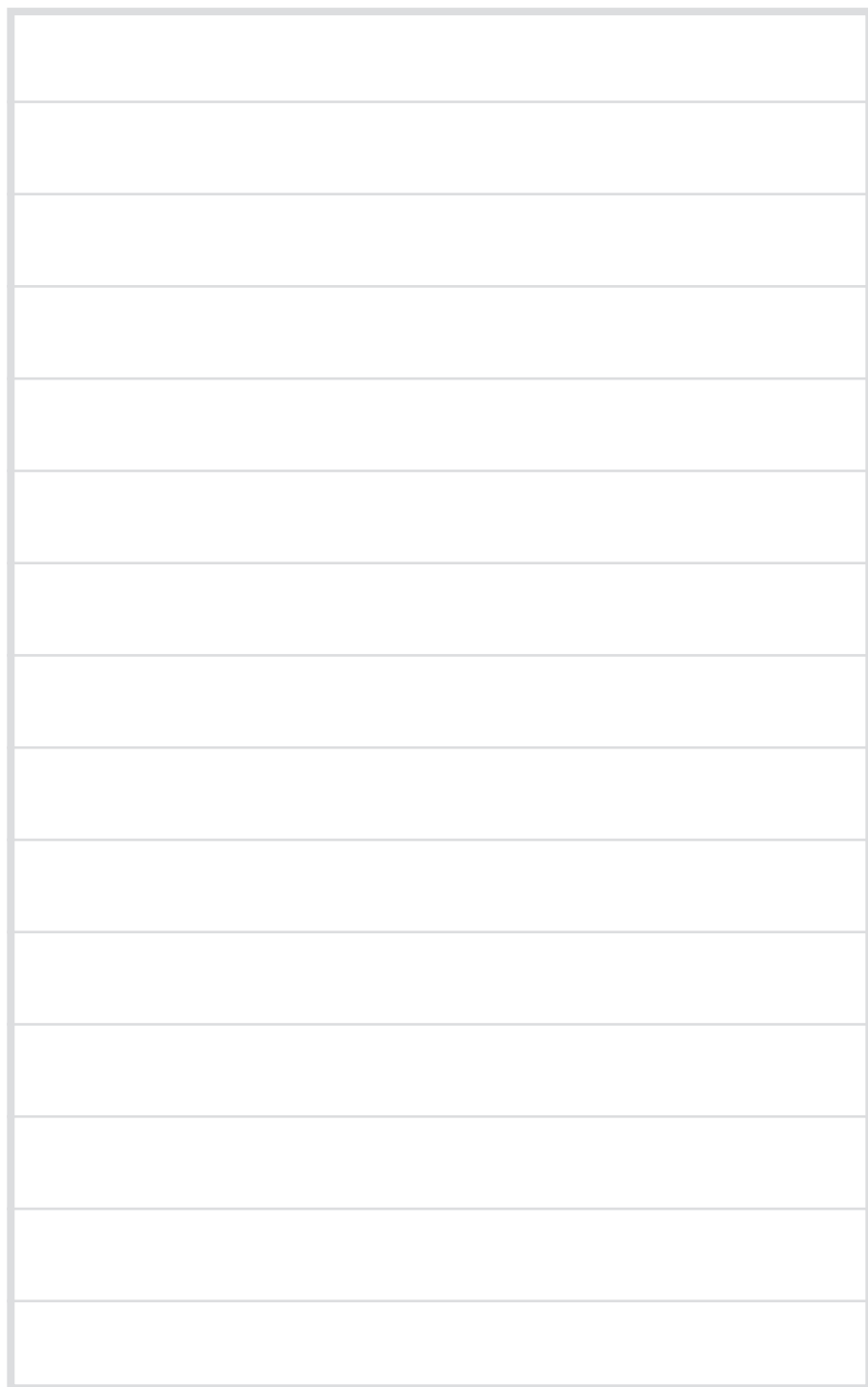


i



1





Artemide®



Artemide

via Bergamo, 18
20010 Pregnana M.se (MI)
ITALIA

tel. +39 02 935 181
fax +39 02 935 90 254
fax +39 02 935 90 496

www.artemide.com

VAT IT00846890150

cod. Y513000387