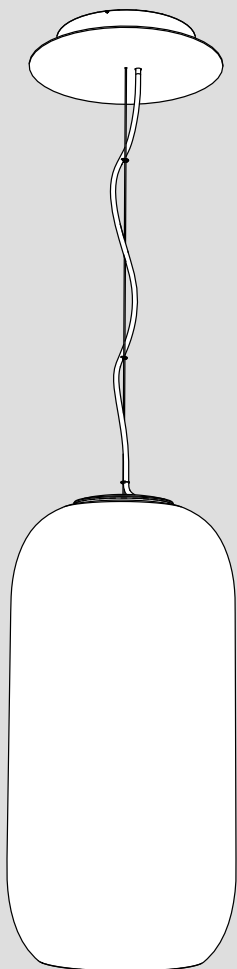


Artemide®

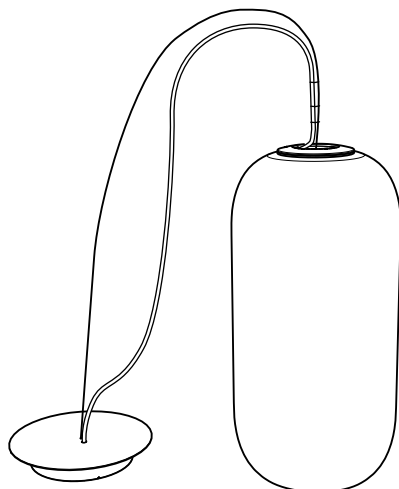
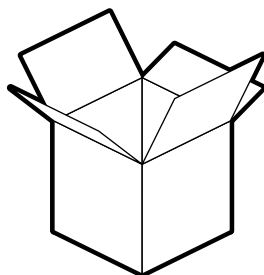
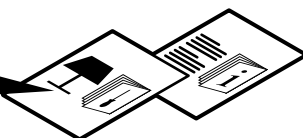
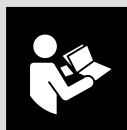
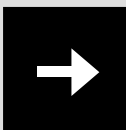
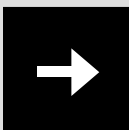
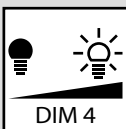
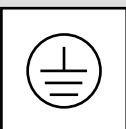
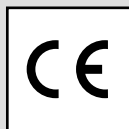
Gople RWB

design
BIG

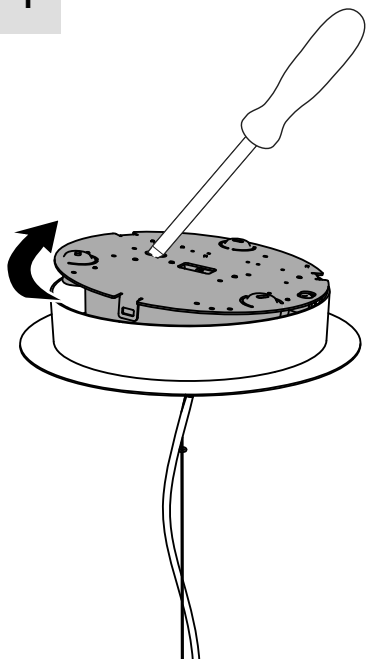




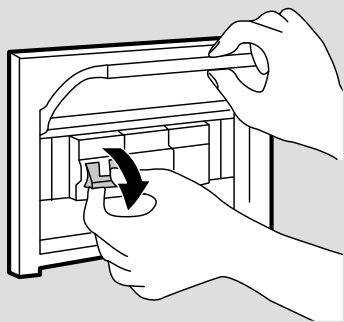
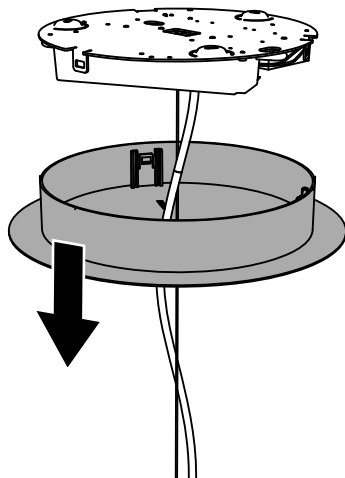
i



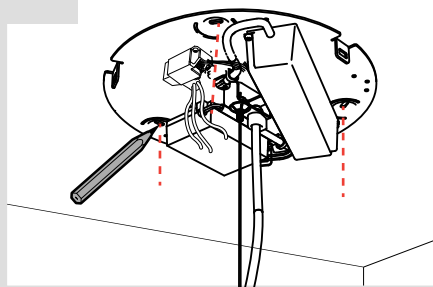
1



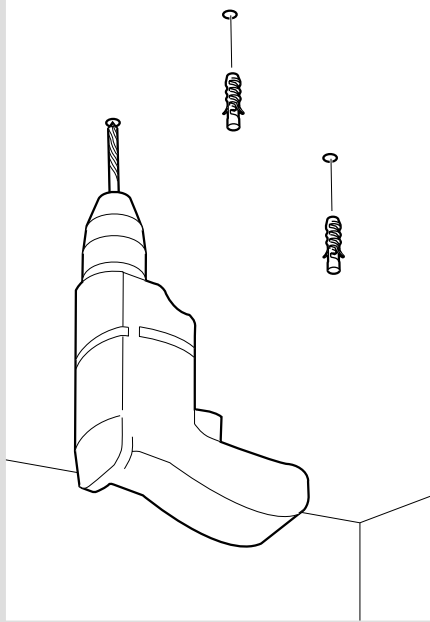
2



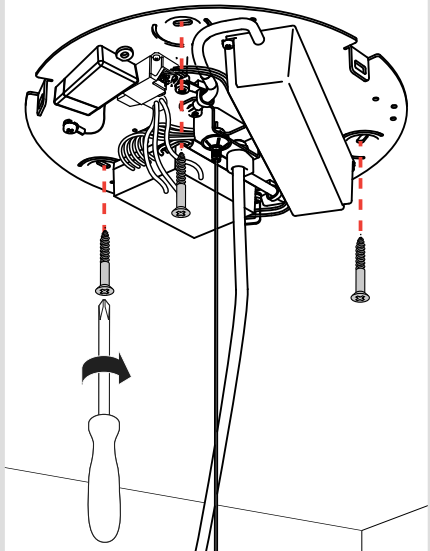
3



4



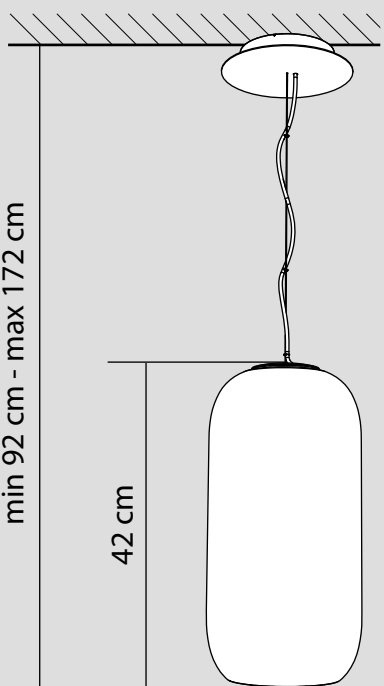
5



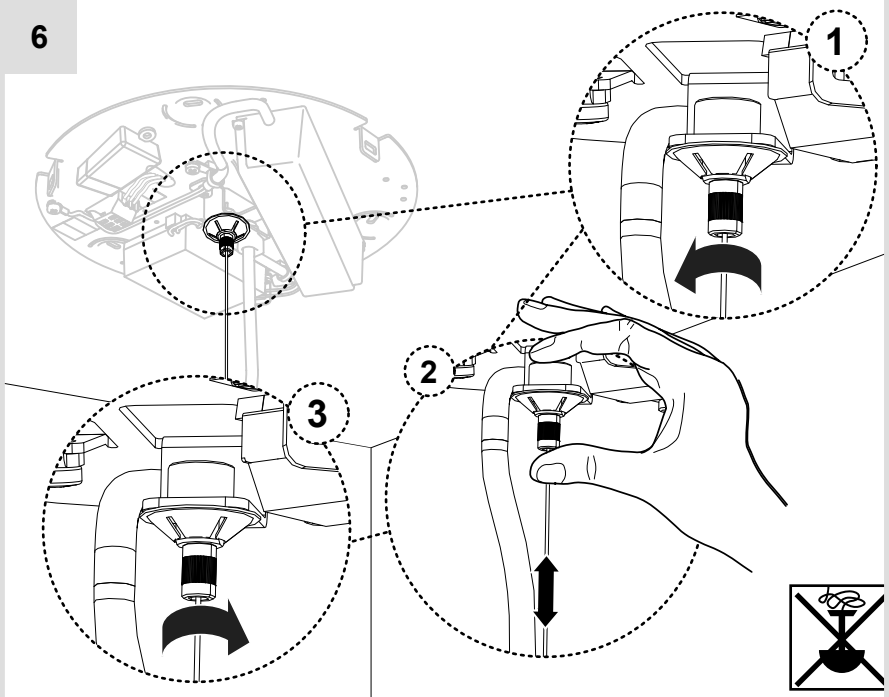
i

min 92 cm - max 172 cm

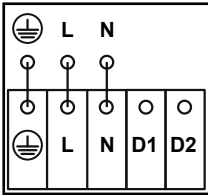
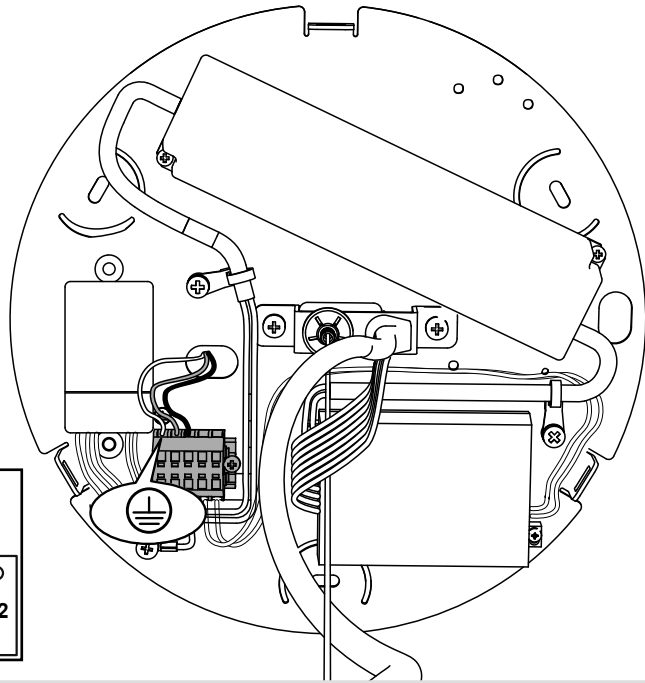
42 cm



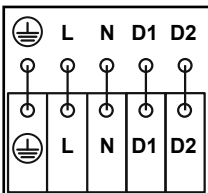
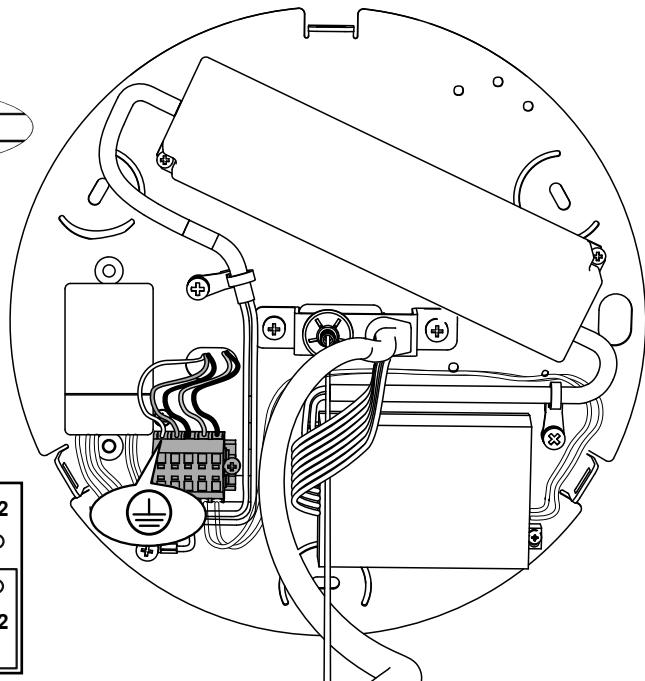
6



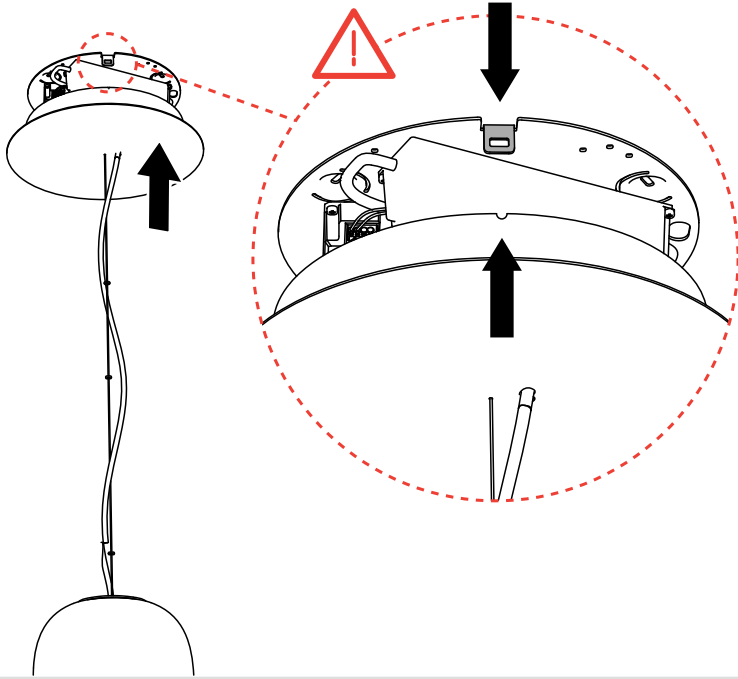
7a



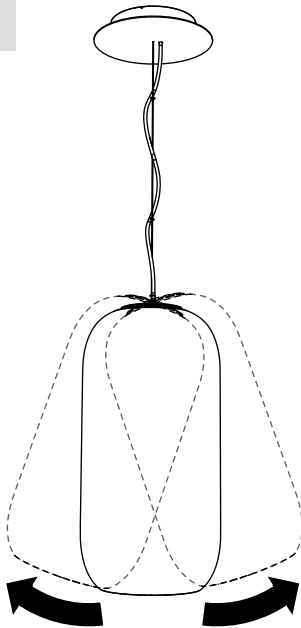
7b



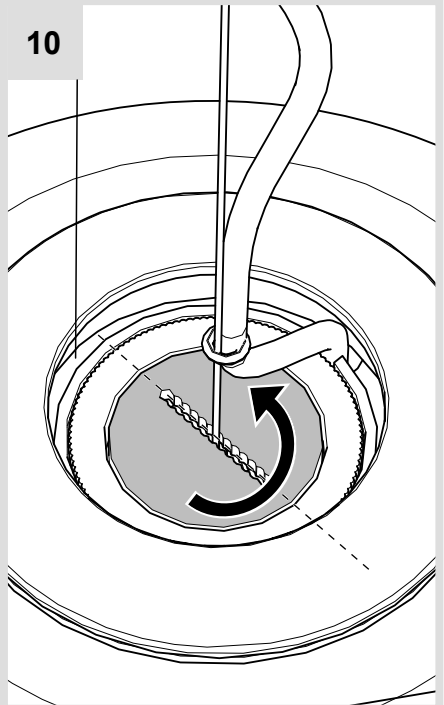
8



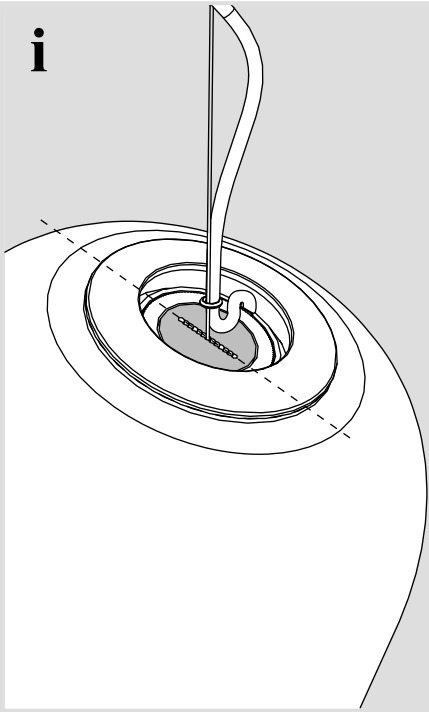
9



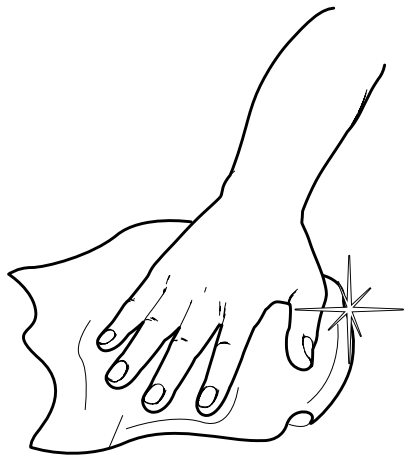
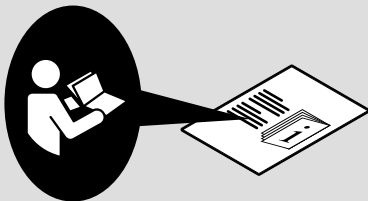
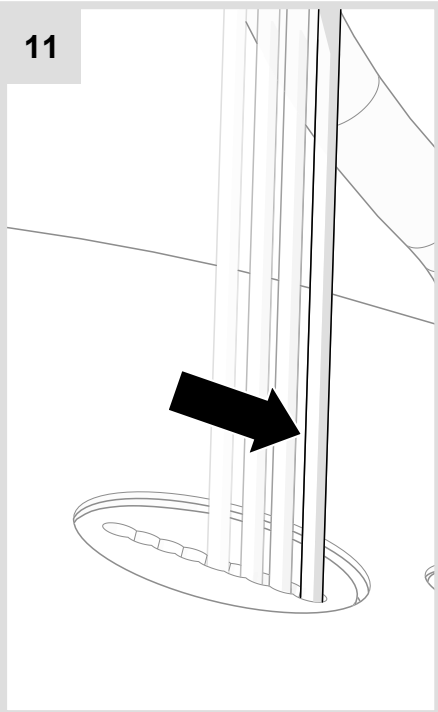
10



i



11



Artemide®



Artemide

via Bergamo, 18
20010 Pregnana M.se (MI)
ITALIA

tel. +39 02 935 181
fax +39 02 935 90 254
fax +39 02 935 90 496

www.artemide.com

VAT IT00846890150

cod. Y513001101