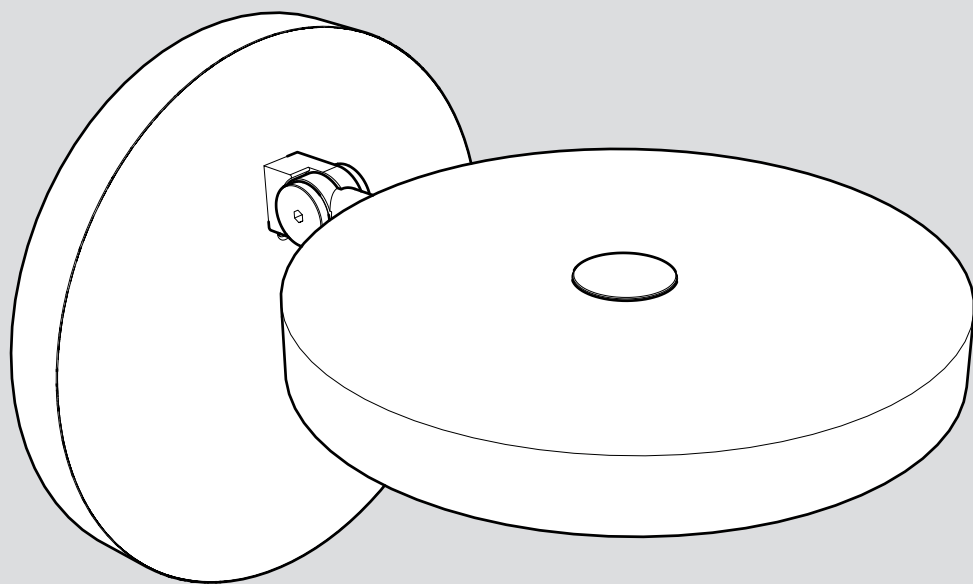


Artemide®

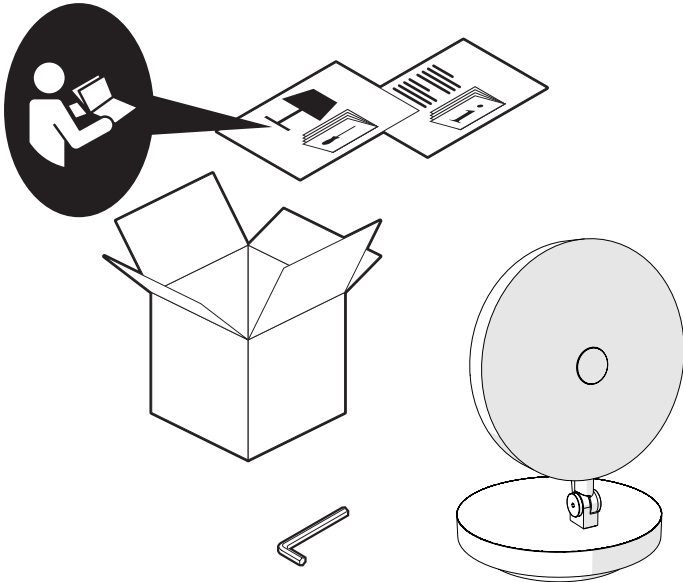
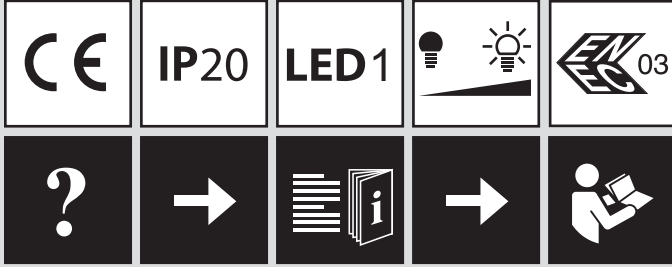
Demetra

design
N. Fukasawa

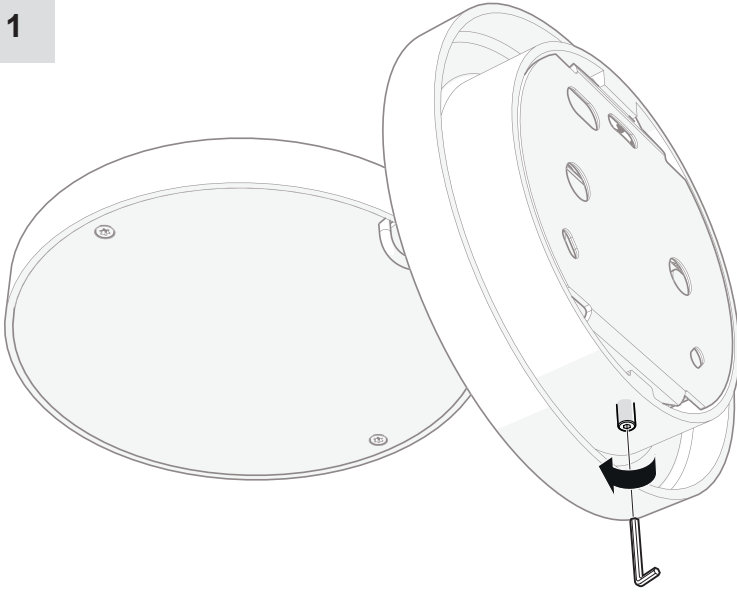




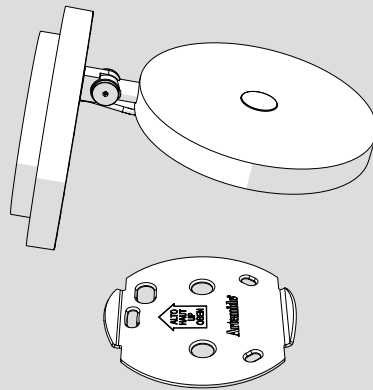
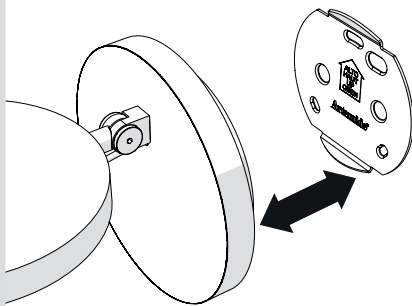
i

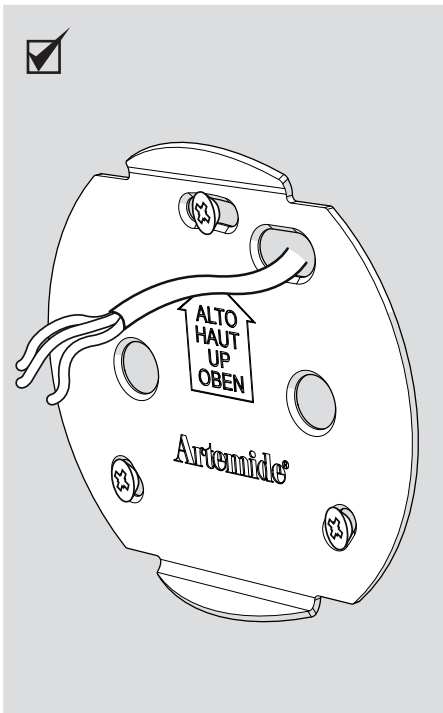
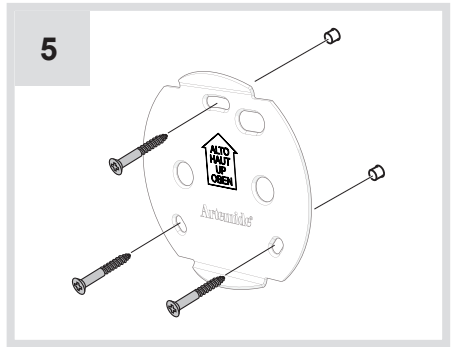
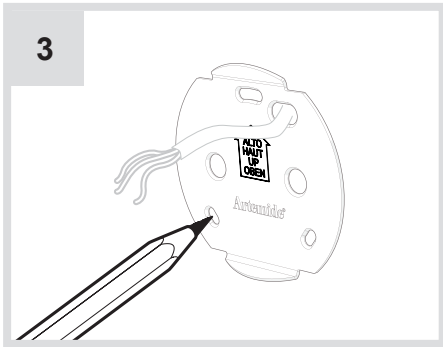
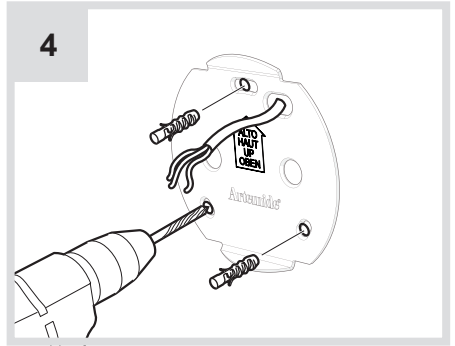
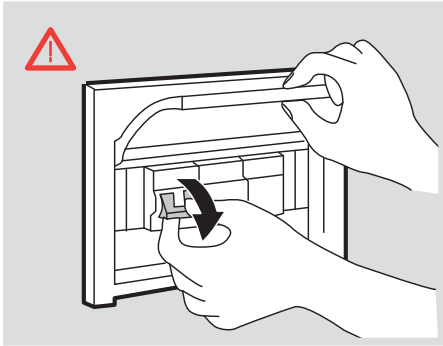


1

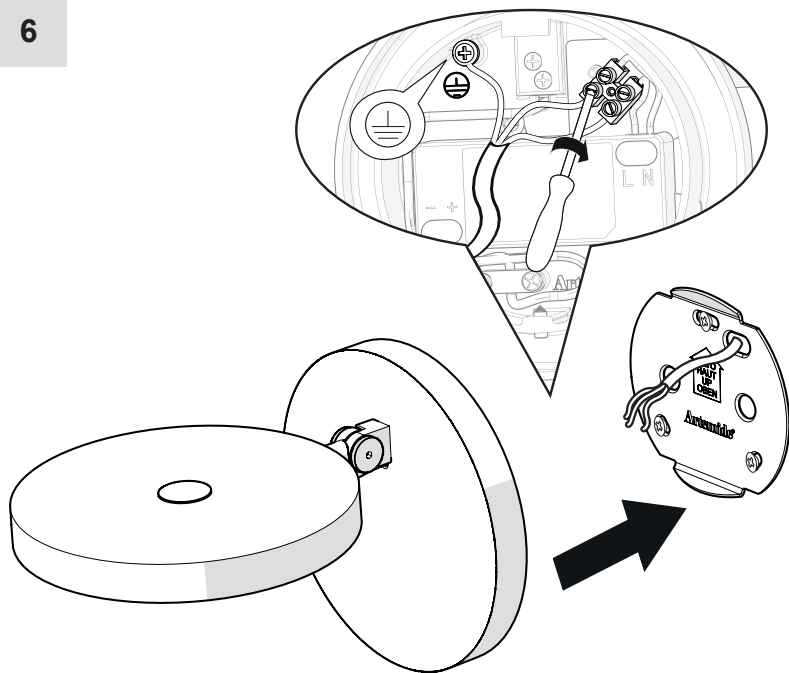


2

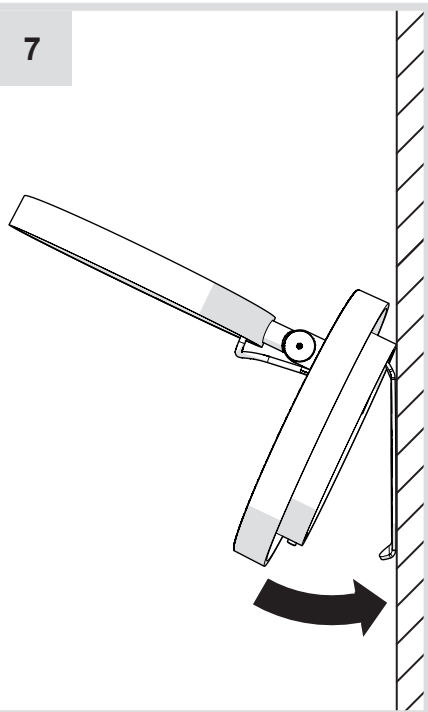




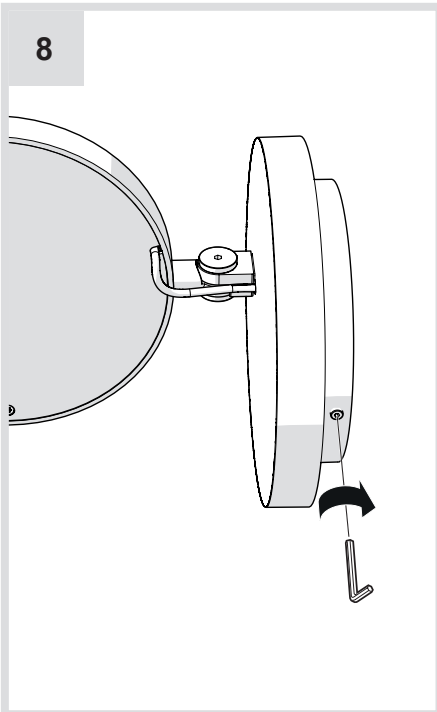
6

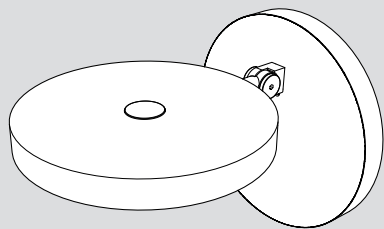


7

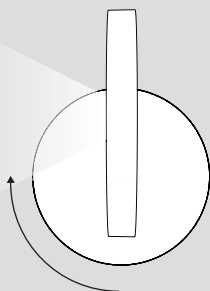
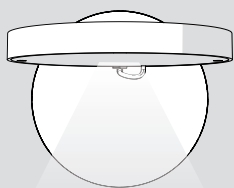
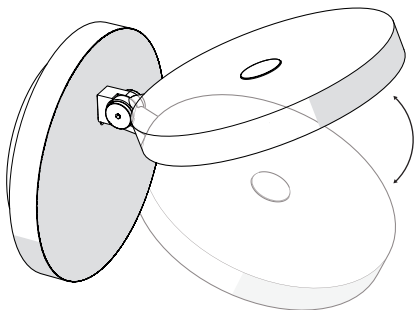


8

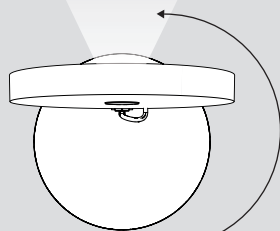




1

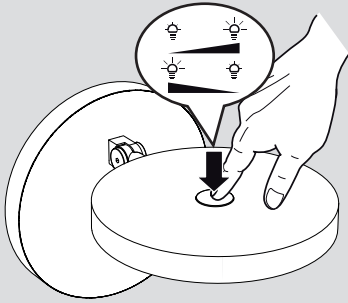
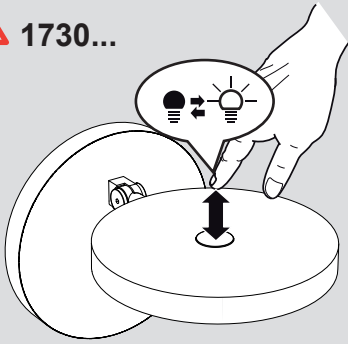


90°

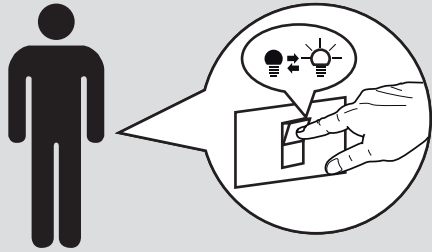
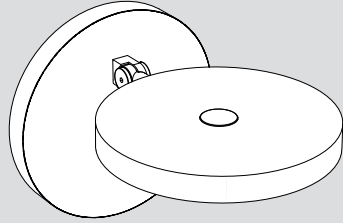


180°

 1730...



 1731...



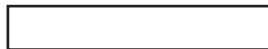
i



1



Artemide®



Artemide

via Bergamo, 18
20010 Pregnana M.se (MI)
ITALIA

tel. +39 02 935 181
fax +39 02 935 90 254
fax +39 02 935 90 496

www.artemide.com

VAT IT00846890150

cod. Y513000186B