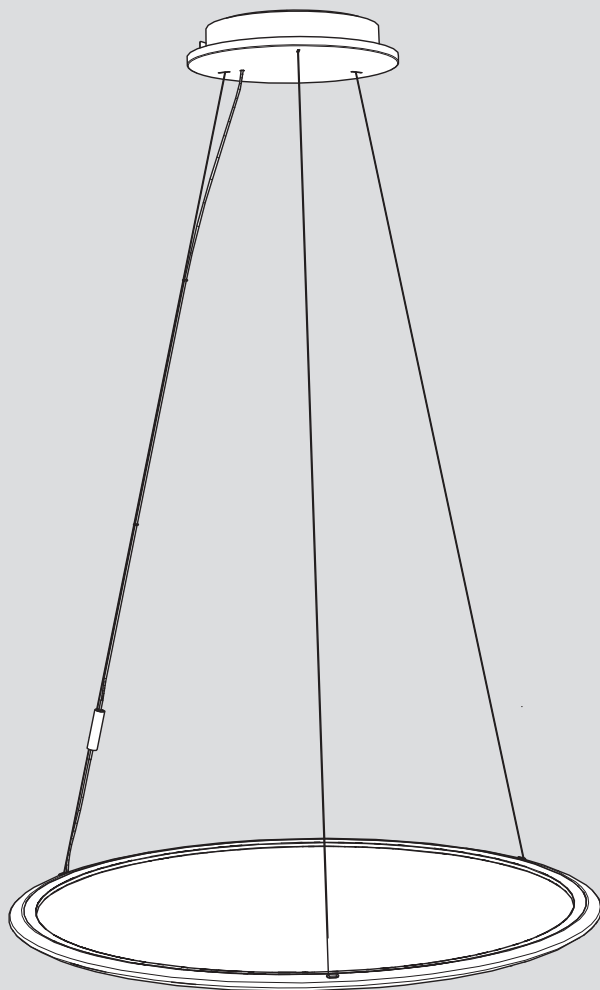


# Artemide®

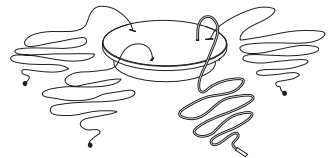
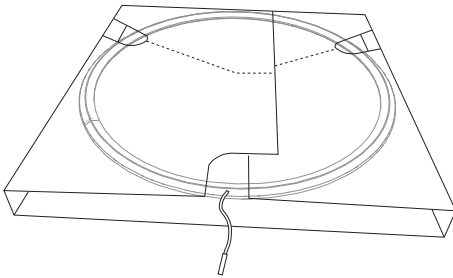
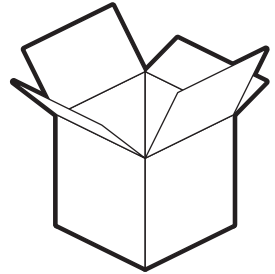
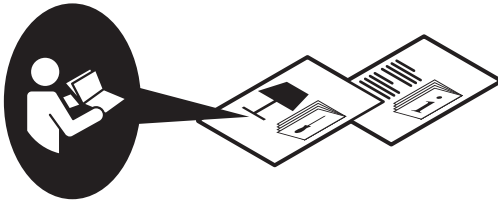
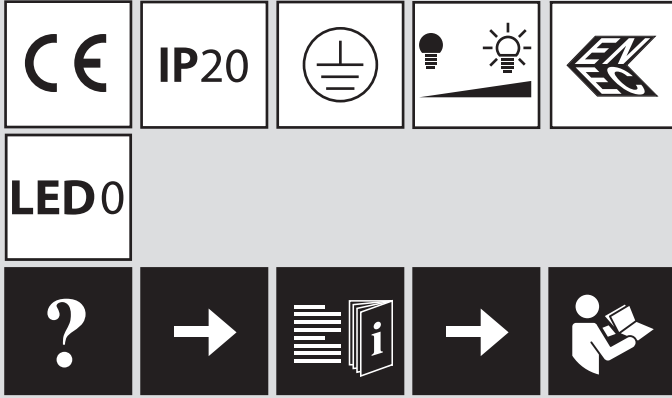
## Discovery

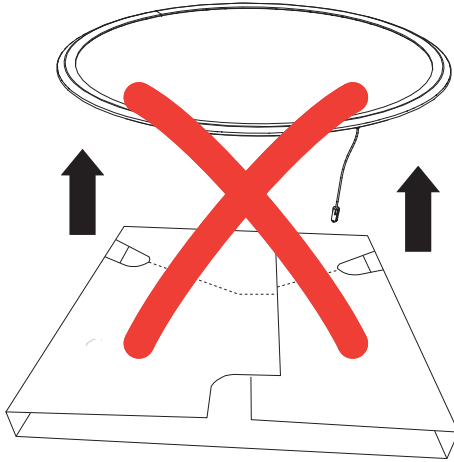
design  
E. Gismondi



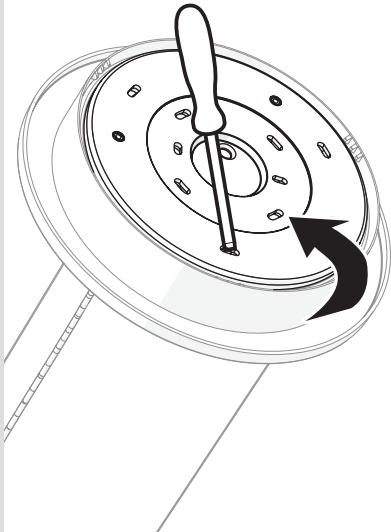


i

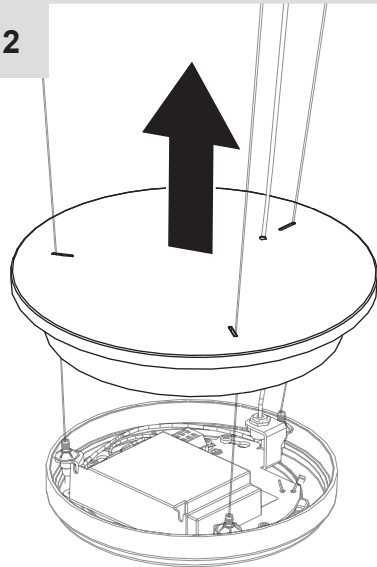




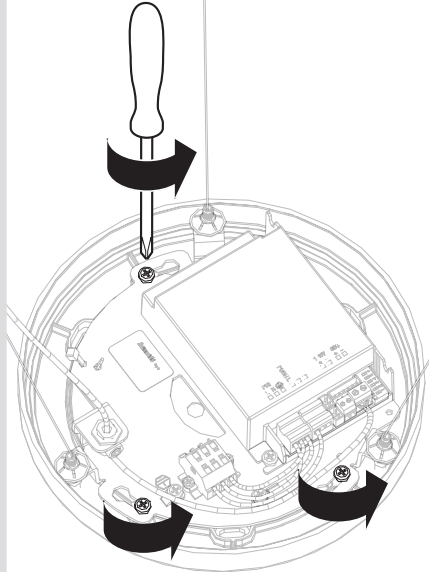
1



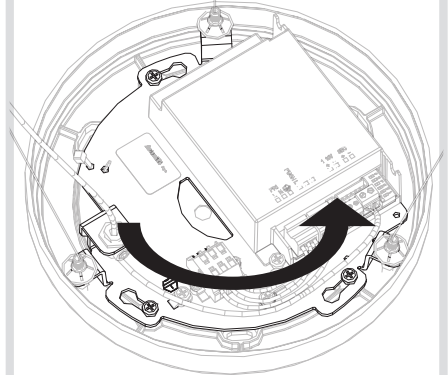
2



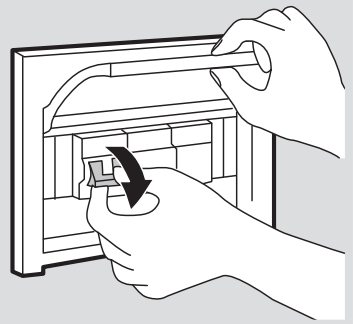
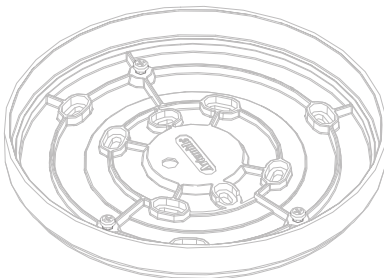
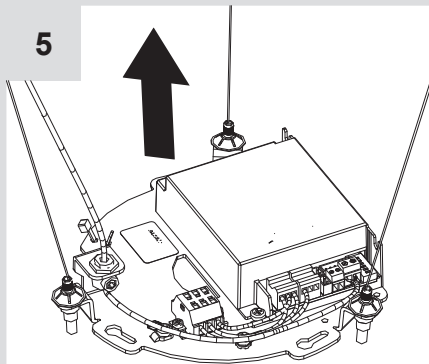
3



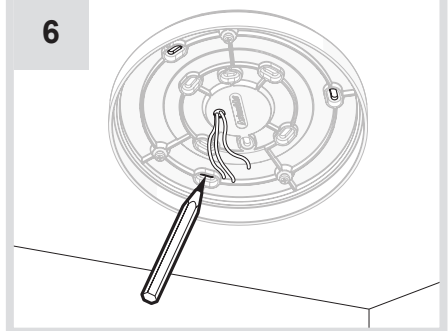
4



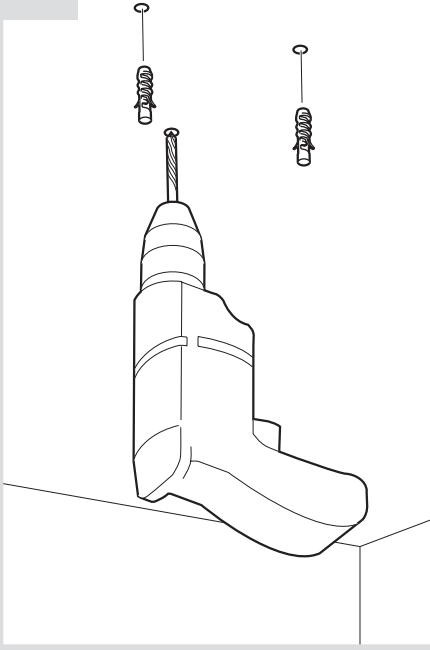
5



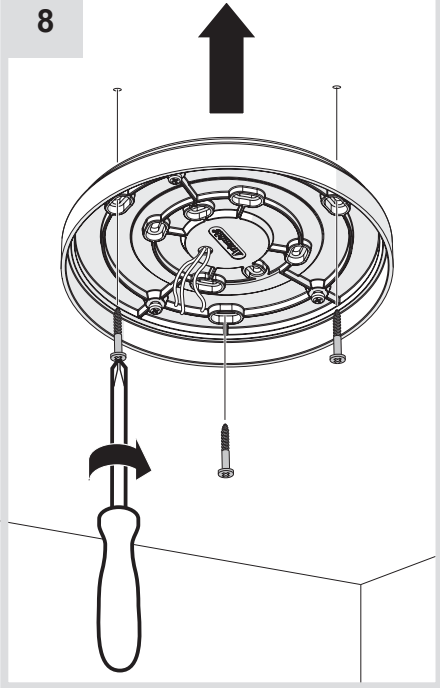
6



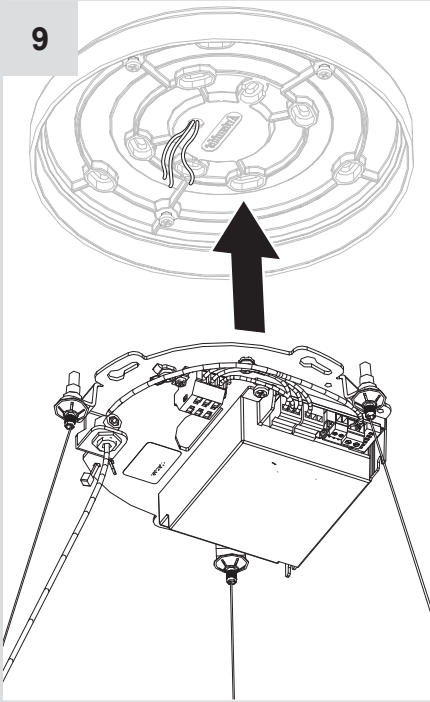
7



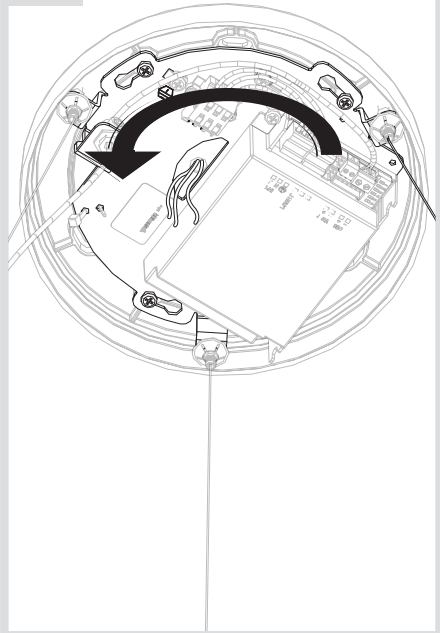
8



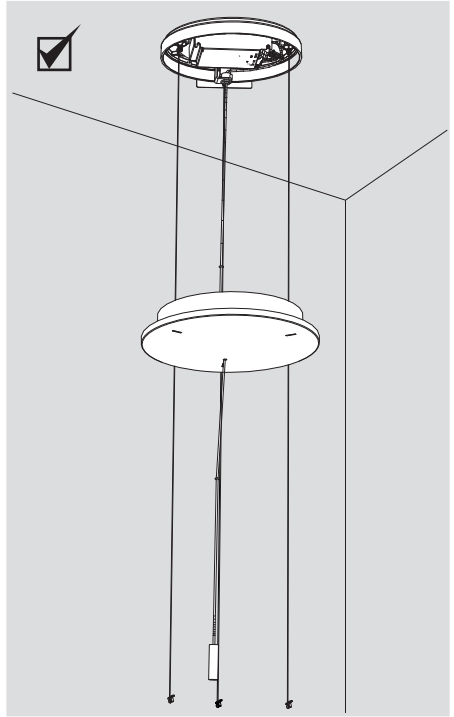
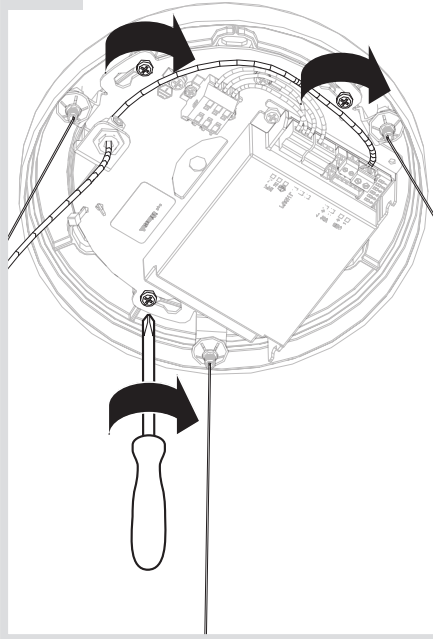
9



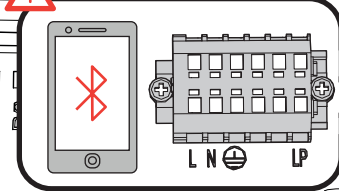
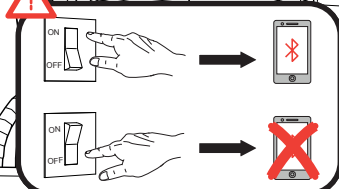
10



11



12a



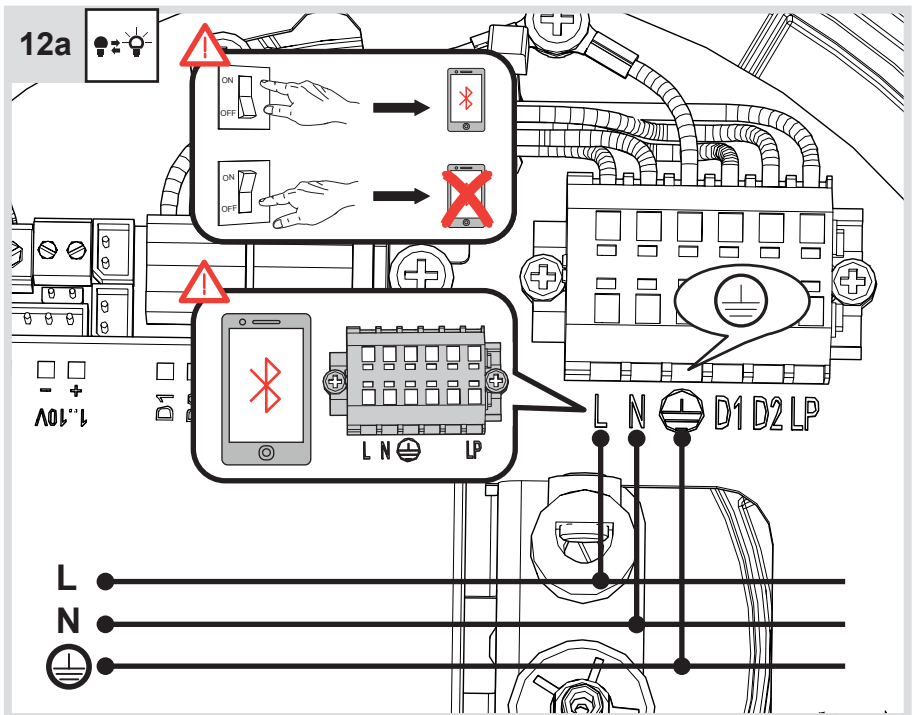
□ □  
- +  
100V

D1

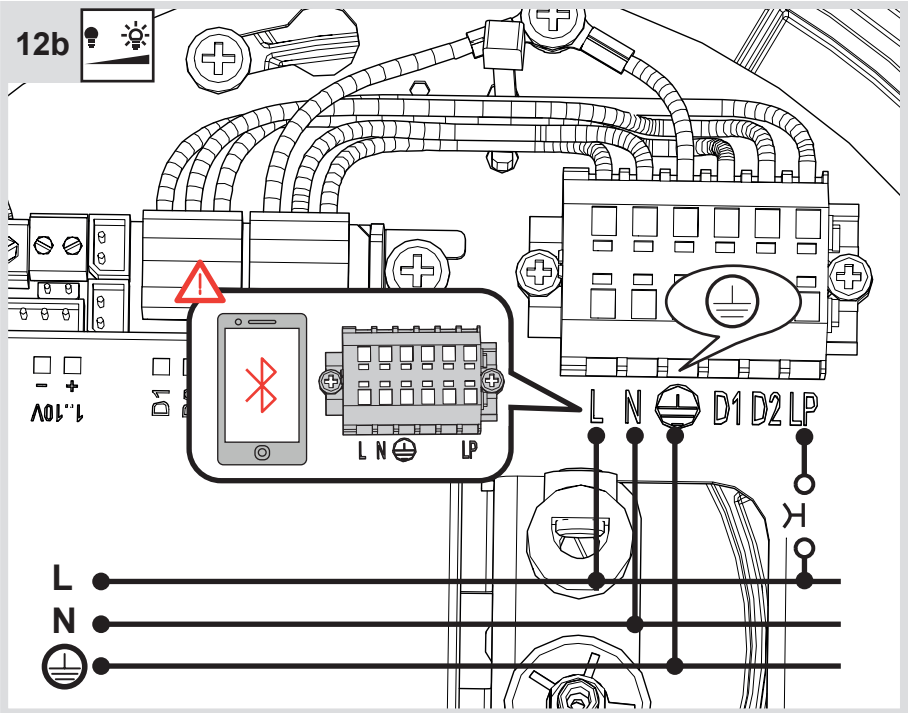
L N D1 D2 LP

L

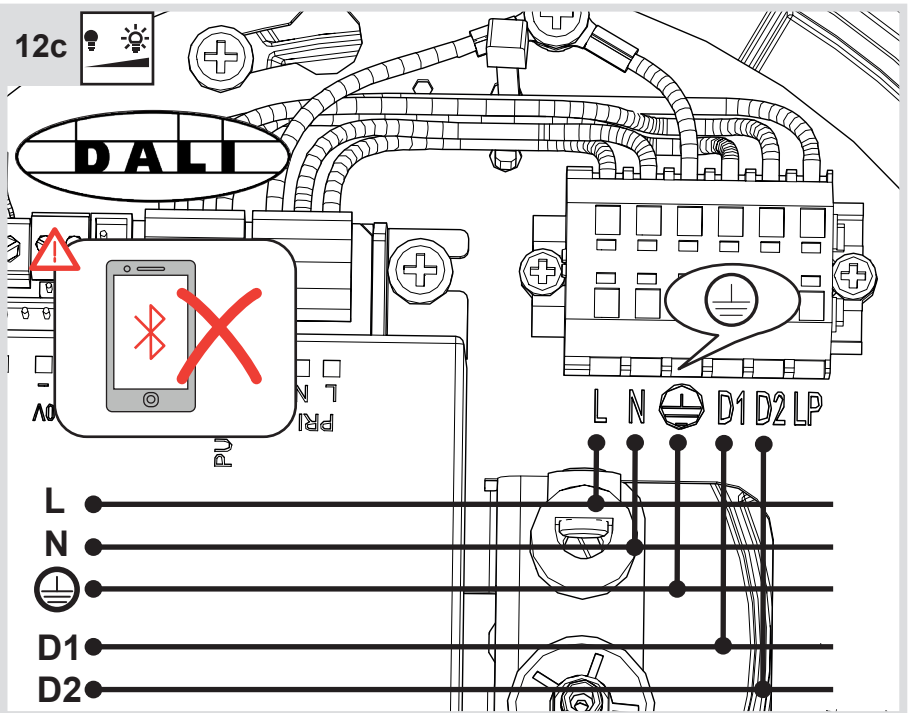
N



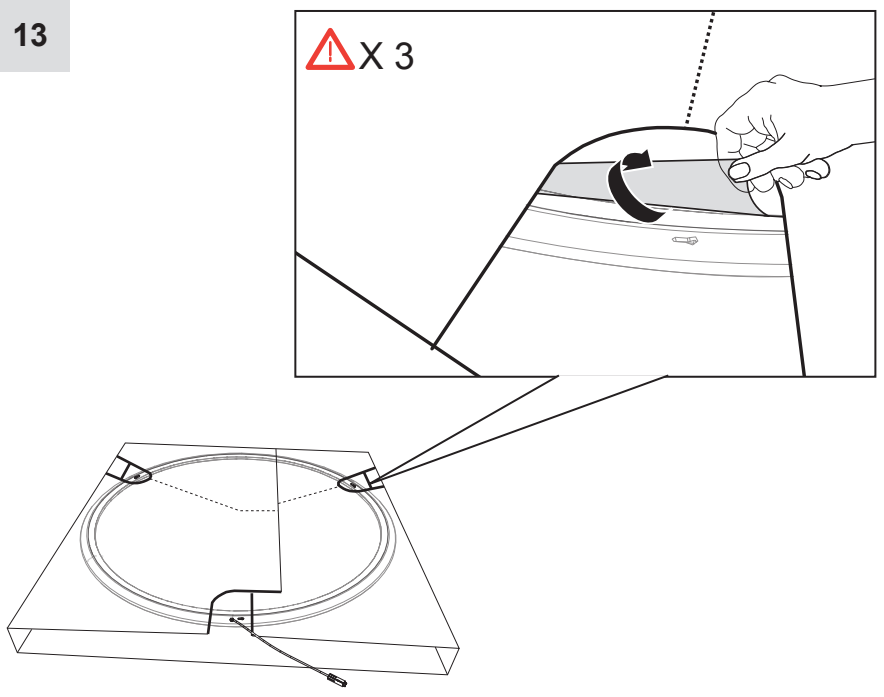
12b



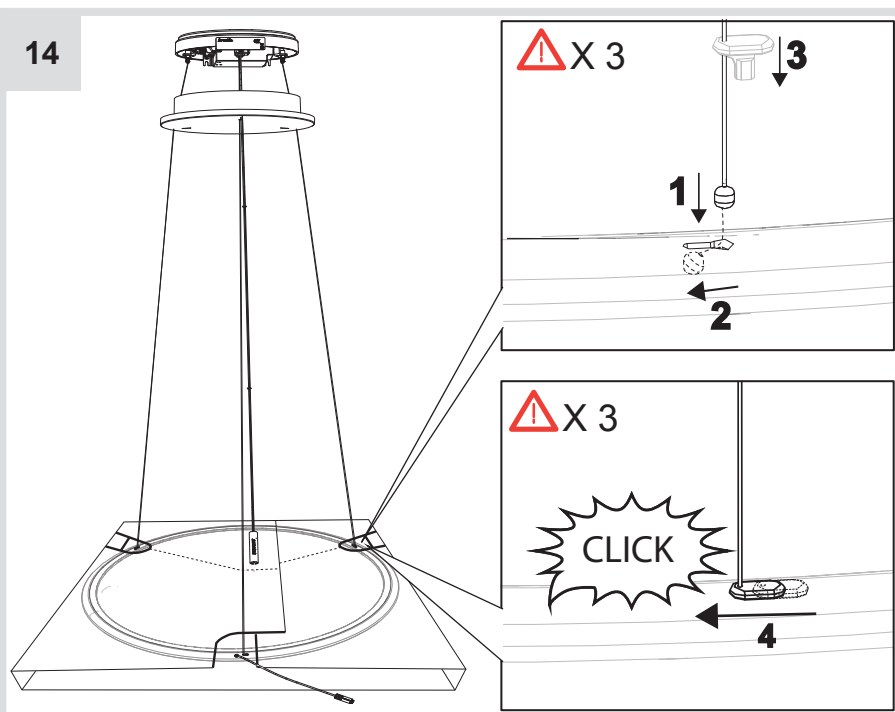
12c



13

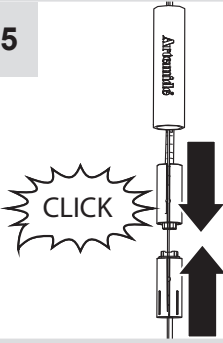


14

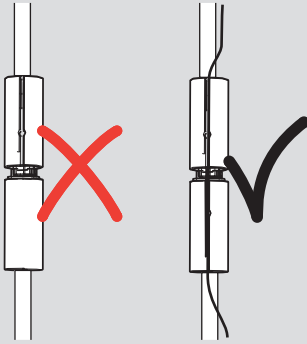
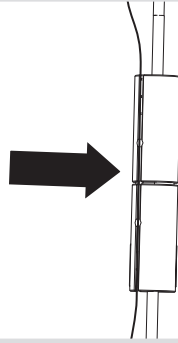




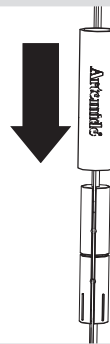
15



16



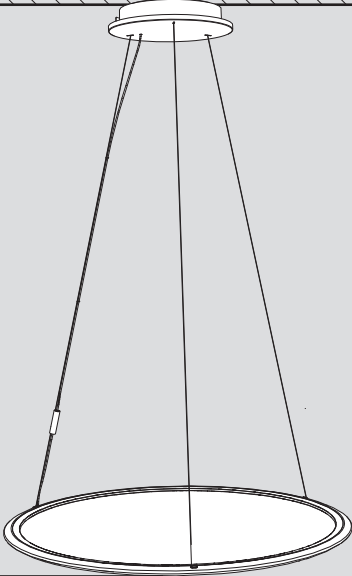
17



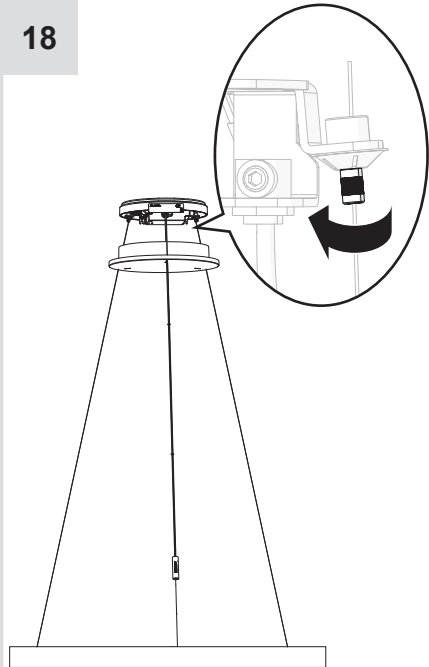
**i**

min 80 cm

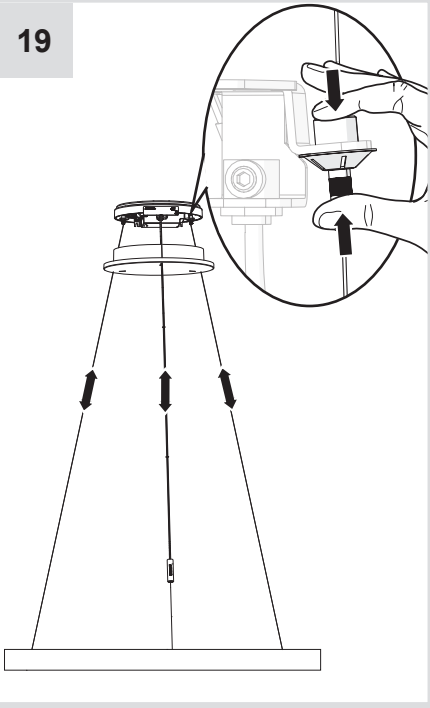
max 165 cm



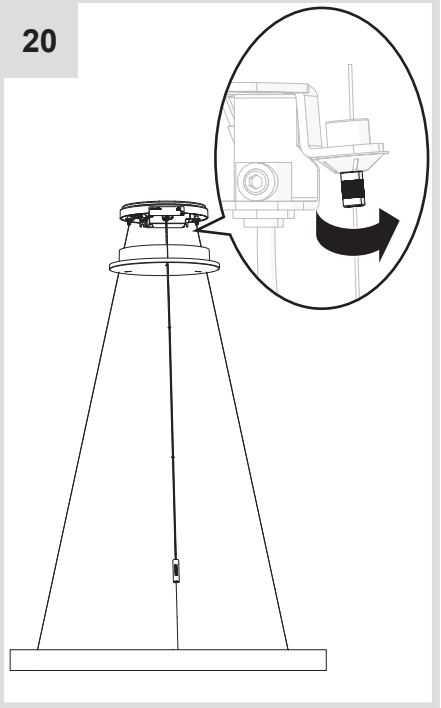
18



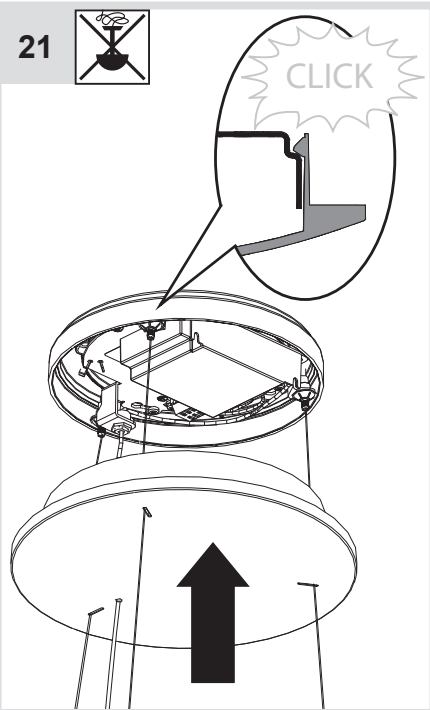
19



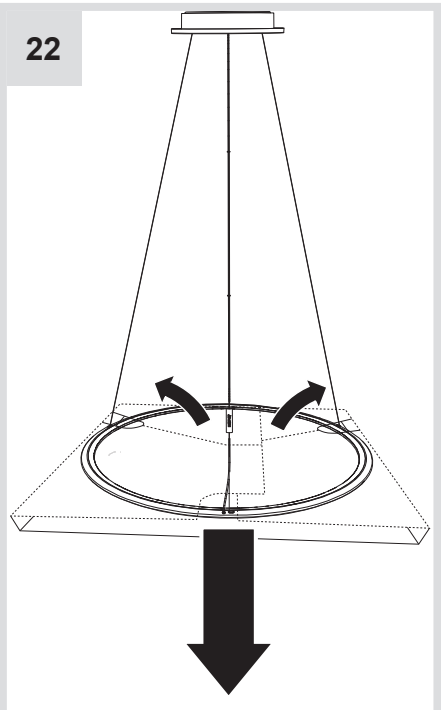
20



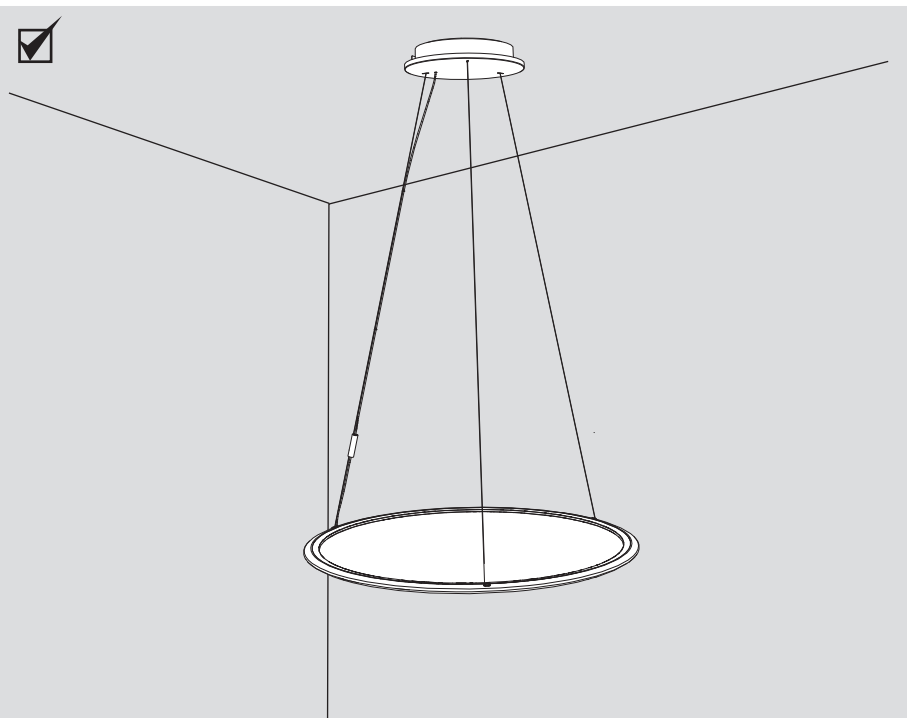
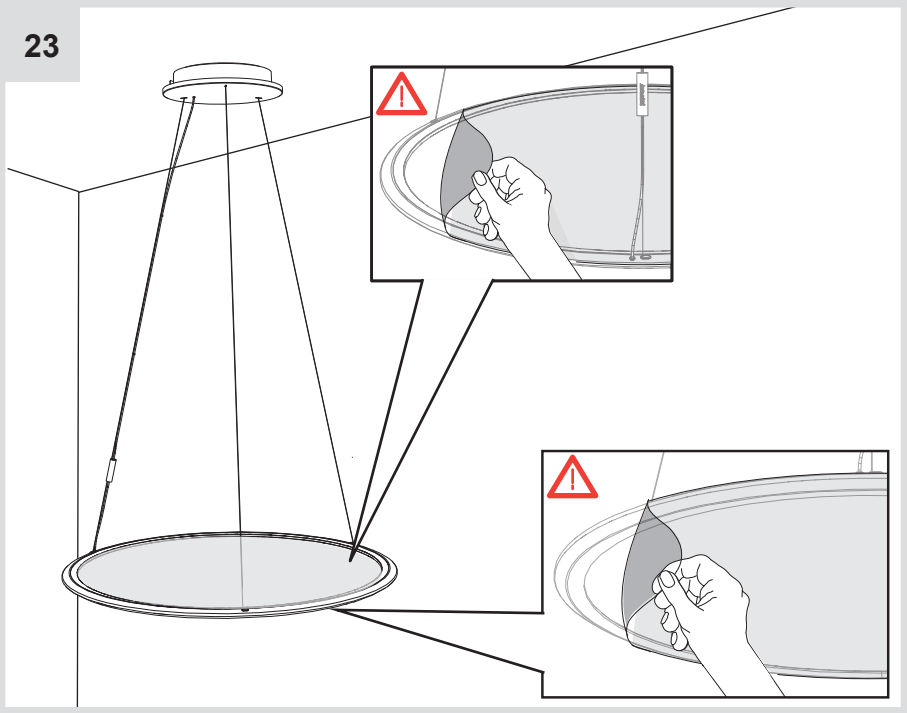
21



22



23

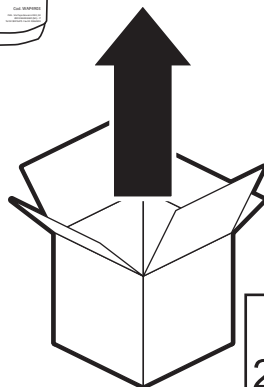




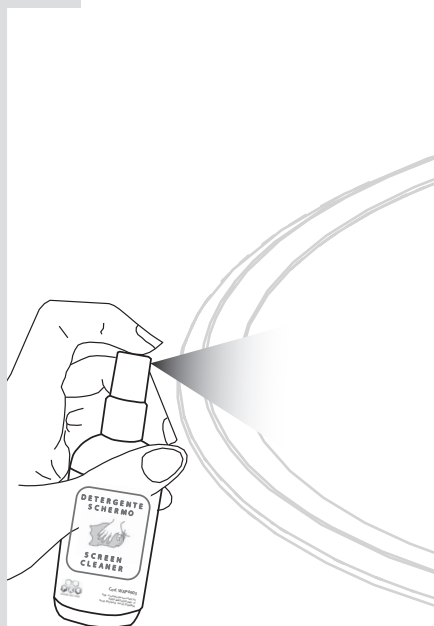
1



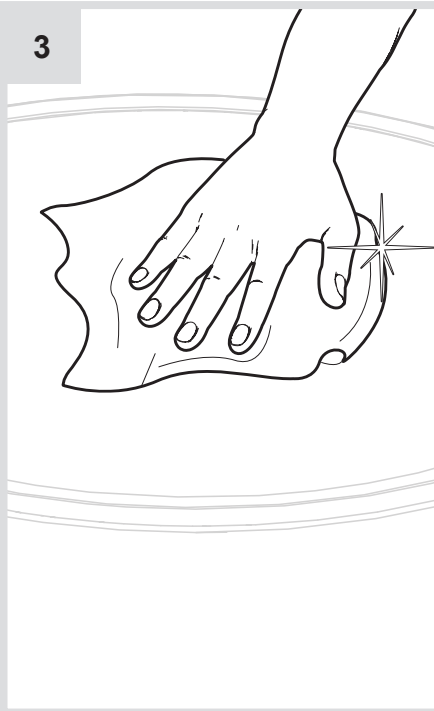
WAP4903



2



3









**Artemide®**



**Artemide**

via Bergamo, 18  
20010 Pregnana M.se (MI)  
ITALIA

tel. +39 02 935 181  
fax +39 02 935 90 254  
fax +39 02 935 90 496

[www.artemide.com](http://www.artemide.com)

VAT IT00846890150

cod. Y513000511B