

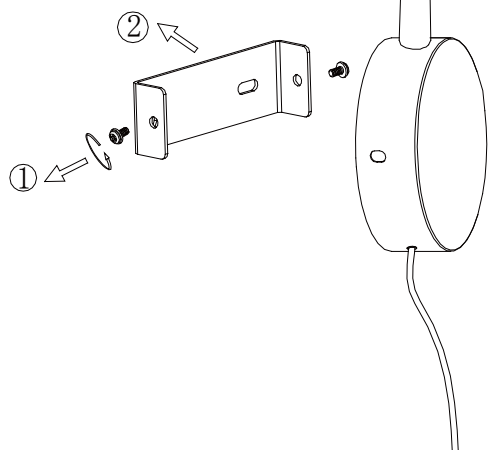
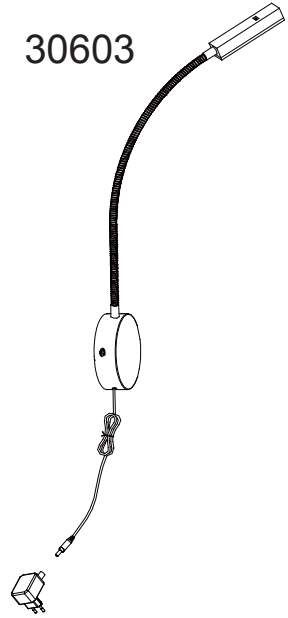


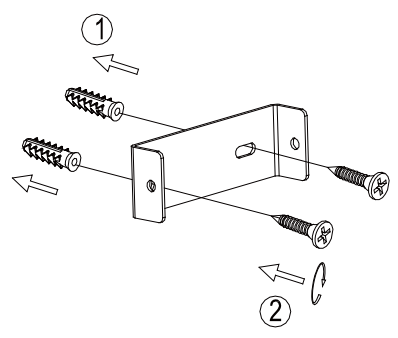
30603

-  x 2
-  x 2

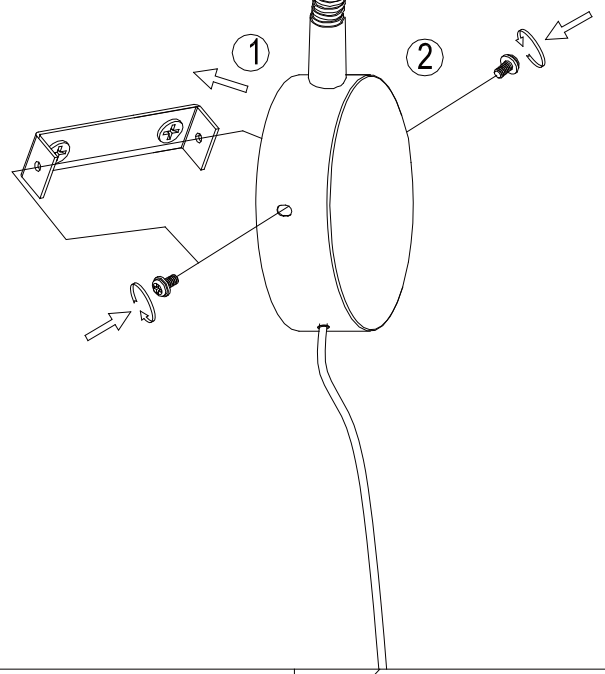
1



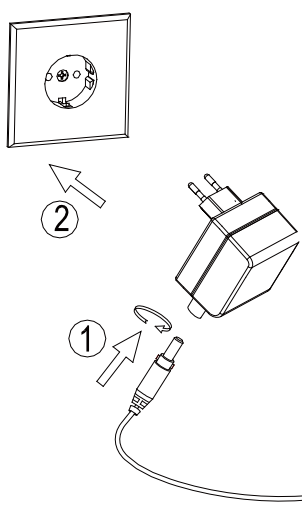
2



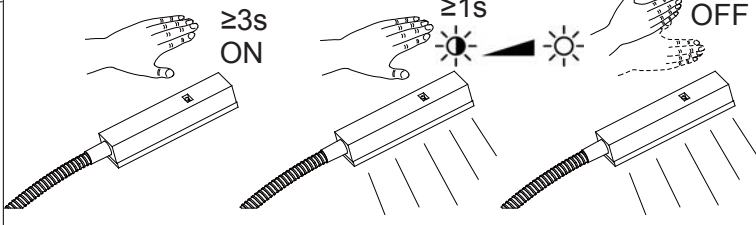
3



4



5



6

