



CARE INSTRUCTIONS

Wipe the parts with a damp cloth soaked in warm water and a bit of mild detergent. Use only soft cloth for wiping and polishing, never sponges or steel wool. Do not use abrasive household cleaners. Do not use acidic or alkaline cleaning materials, glass cleaner or household ammonia.

TECHNICAL INFORMATION

Light sources: Silver crown reflector bulb/half mirror bulb. Semi diameter 30, E14 max. 40W / diameter 47 and 60, E27, max. 60W. Turn power off when changing light bulb. Isolation class II. The lamp is not approved for outdoor use or use in damp/wet rooms (IP20).

TROUBLESHOOTING

If lamp does not light, turn off the power. Check the bulb for a broken filament. Replace bulb if necessary, then turn it on. If the lamp still does not light, please contact customer service at the local dealer. If the external flexible cable or cord of this lamp is damaged, it must be replaced by a qualified electrician in order to avoid a hazard.



For enquiries contact GUBI A/S - CVR: 17940384
Klubiensvej 7-9. 2150 Nordhavn. Copenhagen, Denmark
T +45 69 15 60 60 – salesupport@gubi.dk
GUBI.COM

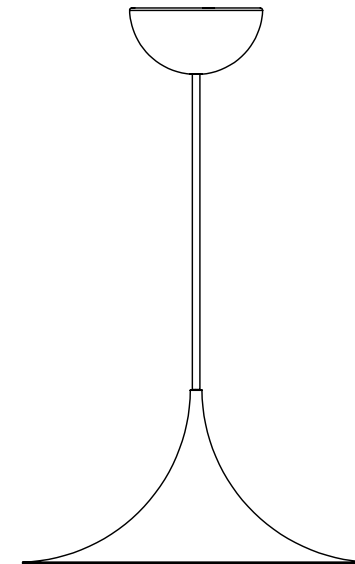
52-20-003-01 Semi Lacquered Mounting Instructions EU.

GUBI

ASSEMBLY INSTRUCTIONS

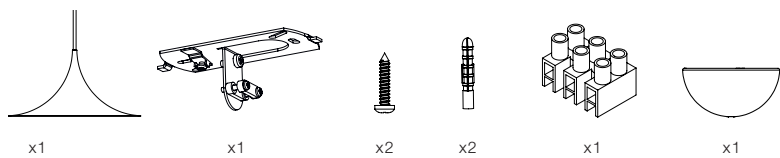
for

SEMI PENDANT



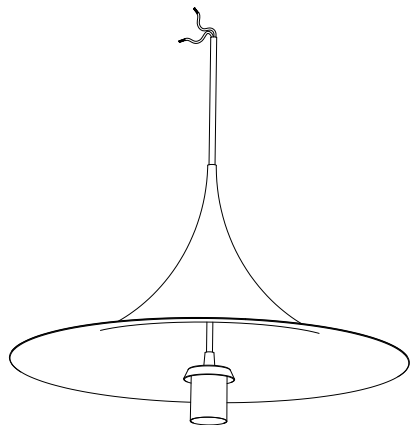
CONTENTS

SEMI PENDANT



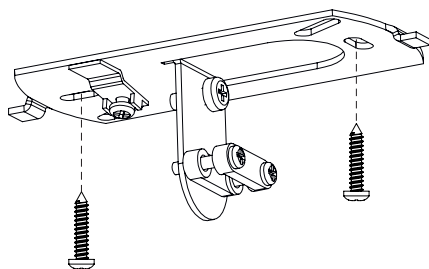
1.

Insert the cable through the lamp shade.



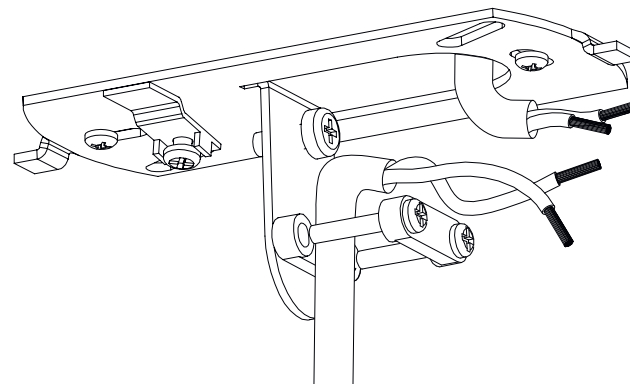
2.

Attach the ceiling bracket to the ceiling where the main voltage exits.



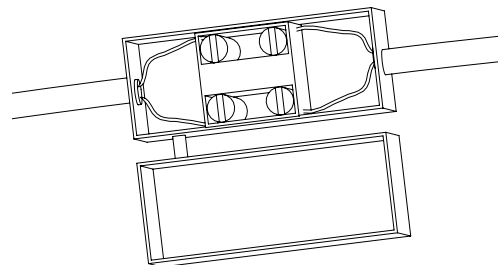
3.

Find the desired length of cable and cut off the outer isolation. Secure lamp cable with ceiling clamp.



4.

Connect mains wires to lamp with the cable box.



5.

Attach rose cup to the ceiling bracket and twist approx. 5-20 degrees.

