







D995/D985/D775/D945/D997/D987/  
D777/D947/D574/D576/577/578  
CLIPPO

INPUT: 220-240V~50/60Hz CLASS I 	  
LAMP-HOUSE: LED-1x14W 2700K or 3000K	
LAMP-HOUSE: LED-1x13W 1910K - 3000K	
MATERIAL: ALUMINIUM	

### **SAFETY INSTRUCTIONS**

- The appliance should be installed, connected and tested by qualified electrician, and in accordance with local regulations.
- Turn off the power supply before installation or maintenance of the appliance, and make sure that the cables will not be squeezed or damaged by sharp edges.
- Clean the appliance with a soft cloth and a standard PH neutral detergent. Stainless steel surfaces should be maintained regularly.
- Misuse of, or changes to the appliance shall nullify the guarantee.  
The manufacturer is free to change the design, specifications and instructions for assembly.

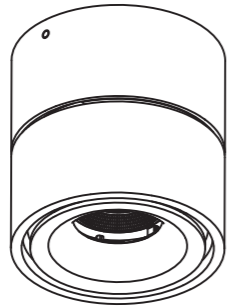
**THE APPLIANCE SHOULD NOT BE COVERED BY INSULATION BLANKET OR SIMILAR MATERIALS IN ANY CASE.**



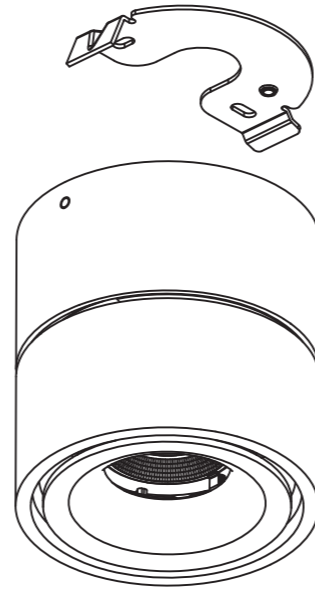
**DO NOT TOUCH OR CLEAN THE LED ARRAY!  
IN ORDER TO AVOID DAMAGE THE LED CHIP!**

# \*DLS LIGHTING

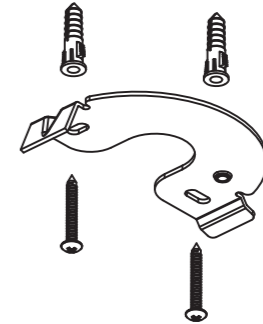
D995/D985/D775/D945/D997/D987/  
D777/D947/D574/D576/577/578 CLIPPO



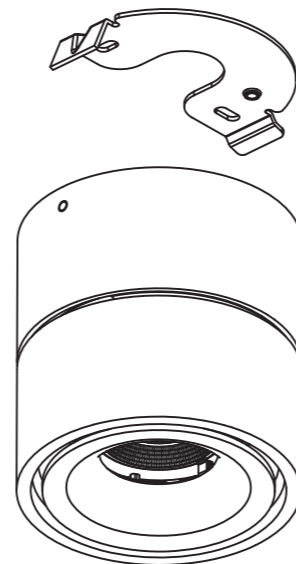
1



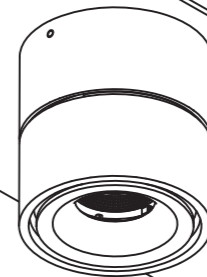
2



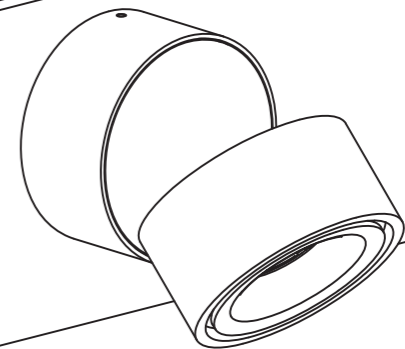
4



5A



5B



3

