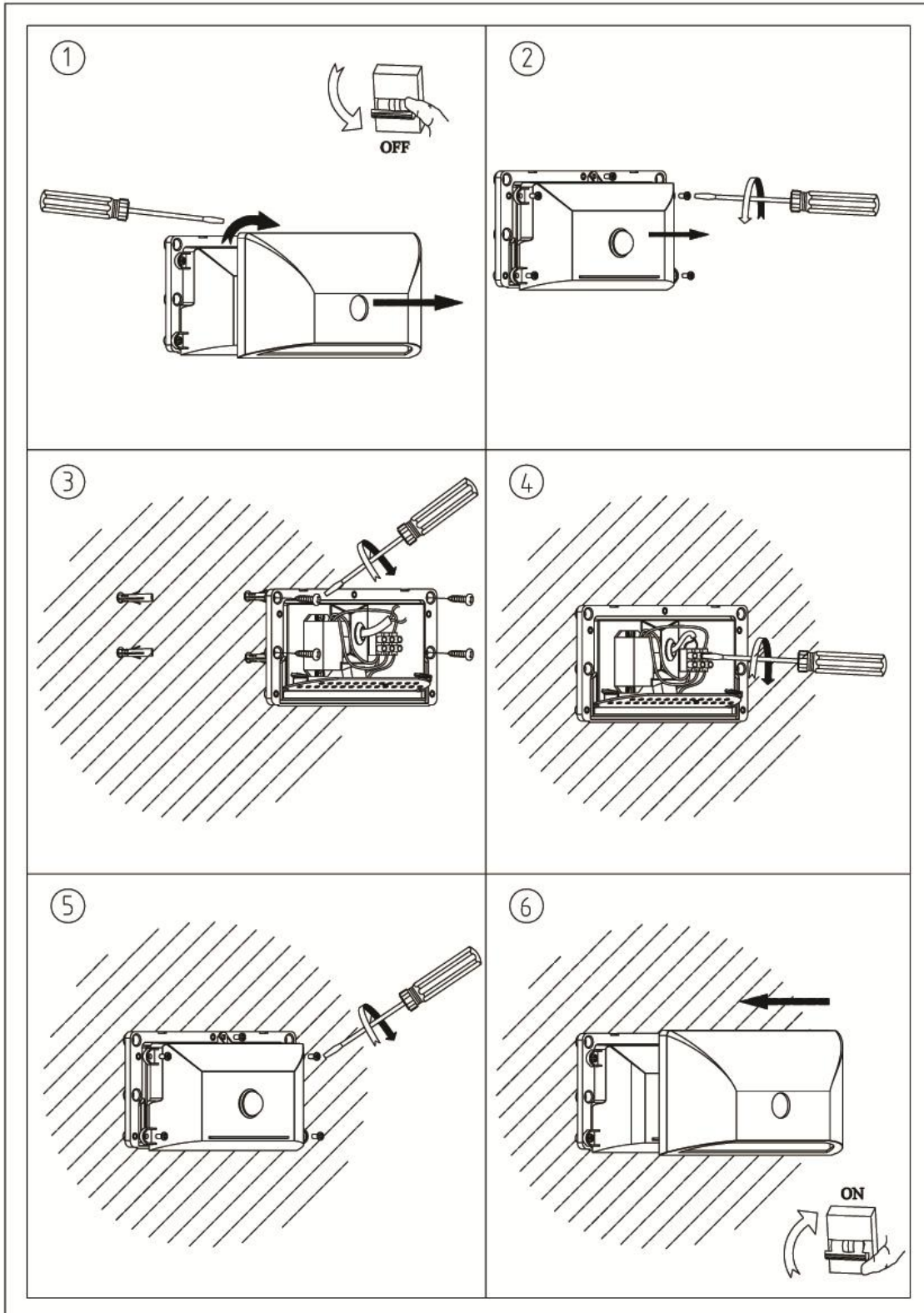


# MANUAL INSTRUCTION

## Note!

Please read carefully installation and preserve it well. Replace any cracked protective shield and must be installed by a qualified electrician.

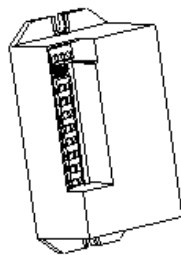
Install the unit according to the below steps:



### **SAFETY DIRECTION:**

1. Before starting the installation, please ensure to disconnect the power.
2. Please install by electrical engineer.
3. Connect the Brown(Live) wire to the corresponding terminal on the terminal block marked L. Connect the Blue(Neutral) wire to the corresponding terminal on the terminal block marked N.
4. Do not install in uneven surfaces.
5. Please don't look at the LED directly.

### **TH-107 INFRARED SENSOR INSTRUCTION:**



### **Summary**

This product is an energy saving automatic sensor switch which can identify day and night. It adopts infrared detector, IC chips and SMD technology. When someone enters its detecting range and will trigger sensor switch to work, the infrared detector turn on the lamp. When people leave its range, the lamp will turn off automatically. It can detect the ambient light illumination automatically and set and adjust the value according to the need such as the light will turn on and work when the ambient light illumination is under setting value. Once it exceeds the setting value, the light will stop working. It can be installed in indoor corridor and public-building.

### **Specifications**

Power source:	180~240V/AC 110~130V/AC (adjustable)
Time setting:	7s、30s、1Min、3Min、5Min、8Min
Rated load:	150W(180~240V/AC) 100W(110~130V/AC)
Working temperature:	-20~+40°C
Working humidity:	≤93%RH
Detection angle:	160°
Detection range:	8m(22~24°C)
Working illumination at night:	<10LUX

## Function

1. Adopts 7-bit DIP switch:  
Select working illumination mode: work only at night or in 24 hours (day and night).
2. DIP adjustment: 1<sup>st</sup> DIP switch is set for working at night or in 24 hours (day and night) and 2<sup>nd</sup> DIP switch and on will be set for working time-delay of the load :5s、30s、1Min、3Min、5Min、8Min respectively.
3. The working time for the load can be expanded automatically. The duration time for the lamp will be re-computed after the last sensing.
4. It can be connected to infrared detector and photo resistor.
5. Simple structure and easy operation.

## Wiring diagram

1. Brown and blue cable should be connected to power line (input);
2. Red and blue cable should be connected to the load(output).

## DIP switch setting

1. Working mode selection:  
When the DIP switch slide to “ON” position, it can only work at night (<10LUX).  
When the switch remain in the original (no slide to “ON”) position, it can working in 24 hours (day and night);
2. Sensitivity selecting:  
When the switch remain in the original (no slide to “ON”) position, the sensitivity is high;  
When the switch slide to “ON” position, the sensitivity is low.
3. Time-delay (5’’、30’’、1’、3’、5’、8’)  
When a certain time-delay is required, the DIP switch will slide to “ON” position respectively.

### ATTENTION:

When this sensor is used, please adjust the sensitivity to an appropriate position. Please do not adjust the sensitivity to maximum in order to avoid the sensor does not work normally caused by wrong motion. Because the sensitivity is too high, it can easily detect the wrong motion by wind blowing leaves & curtains, small animals, and the wrong motion by interference of power grid & electrical equipment. All those lead the product not to work properly!

If this sensor is found not to work properly, it is strongly recommended that the sensitivity should be lowered appropriately, and then you may test it.

## Test

Slide DIP 5" to "ON" position and others remain on original position:

- Switch on power, the sensor shall become stable working state after the lamp turns off.
- Sense it once, the lamp turns on, and it turns off automatically after 5-10".
- If 1<sup>st</sup> DIP switch slide to "ON" position, if tested it in the daytime, the lamp won't be on when sensing object. Then, cover the photo resistor with non-transparent object such as black cloth and test the sensor again. The lamp will be on, and after 5-10s it turns off automatically.

When the time is not selected, the light will be on for a long time after sensing objects.

## Attention

- The installing personnel should be professional electrician;
- Be sure not to install the unit in the places under direct sunshine, or where air current and temperature frequently changes for example near air conditioners or fan heaters;
- The installing base should be firm and fixed.
- In front of sensor, there should be no obstructions or moving objects which will affect the sensing function. .