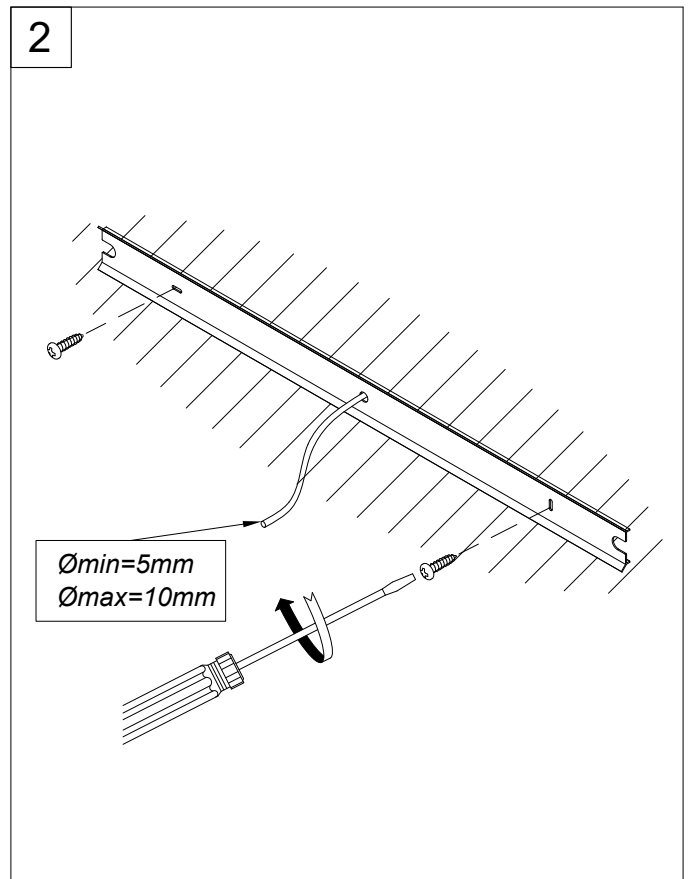
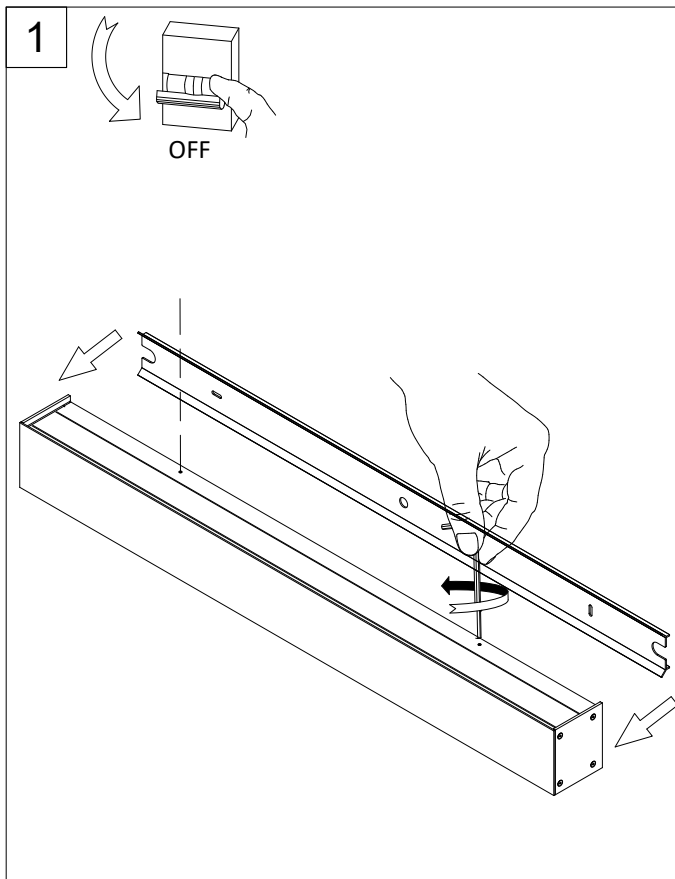
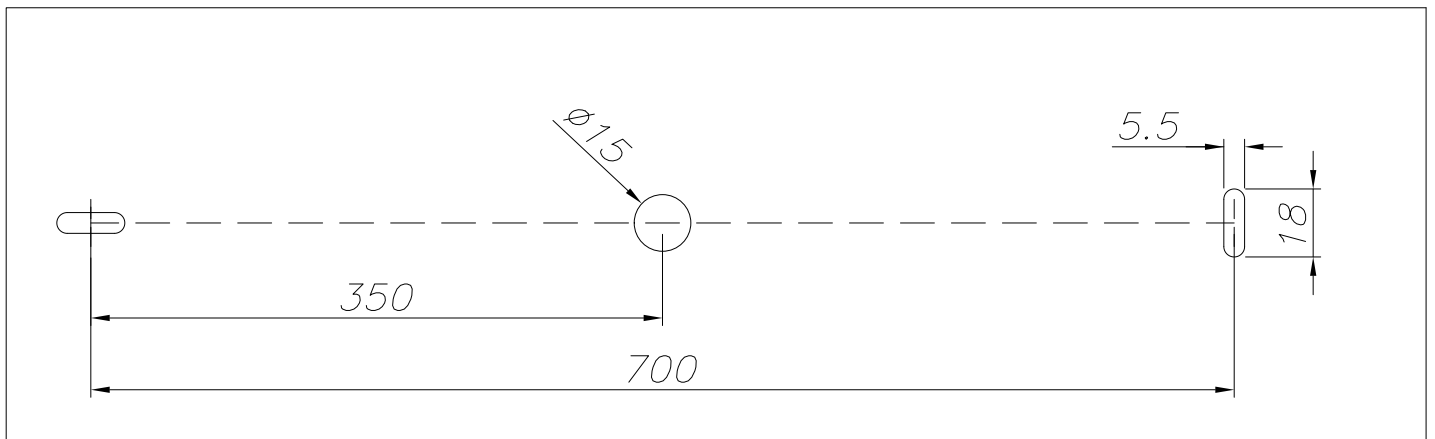
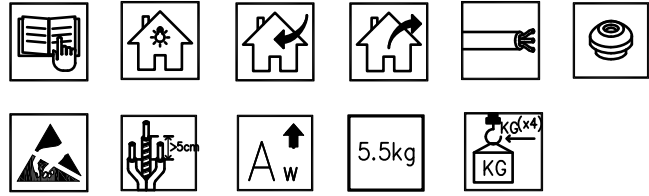
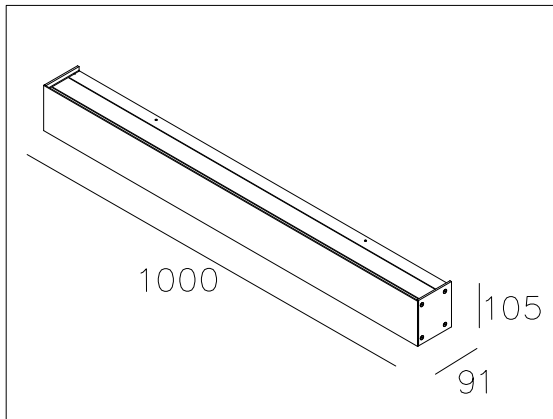
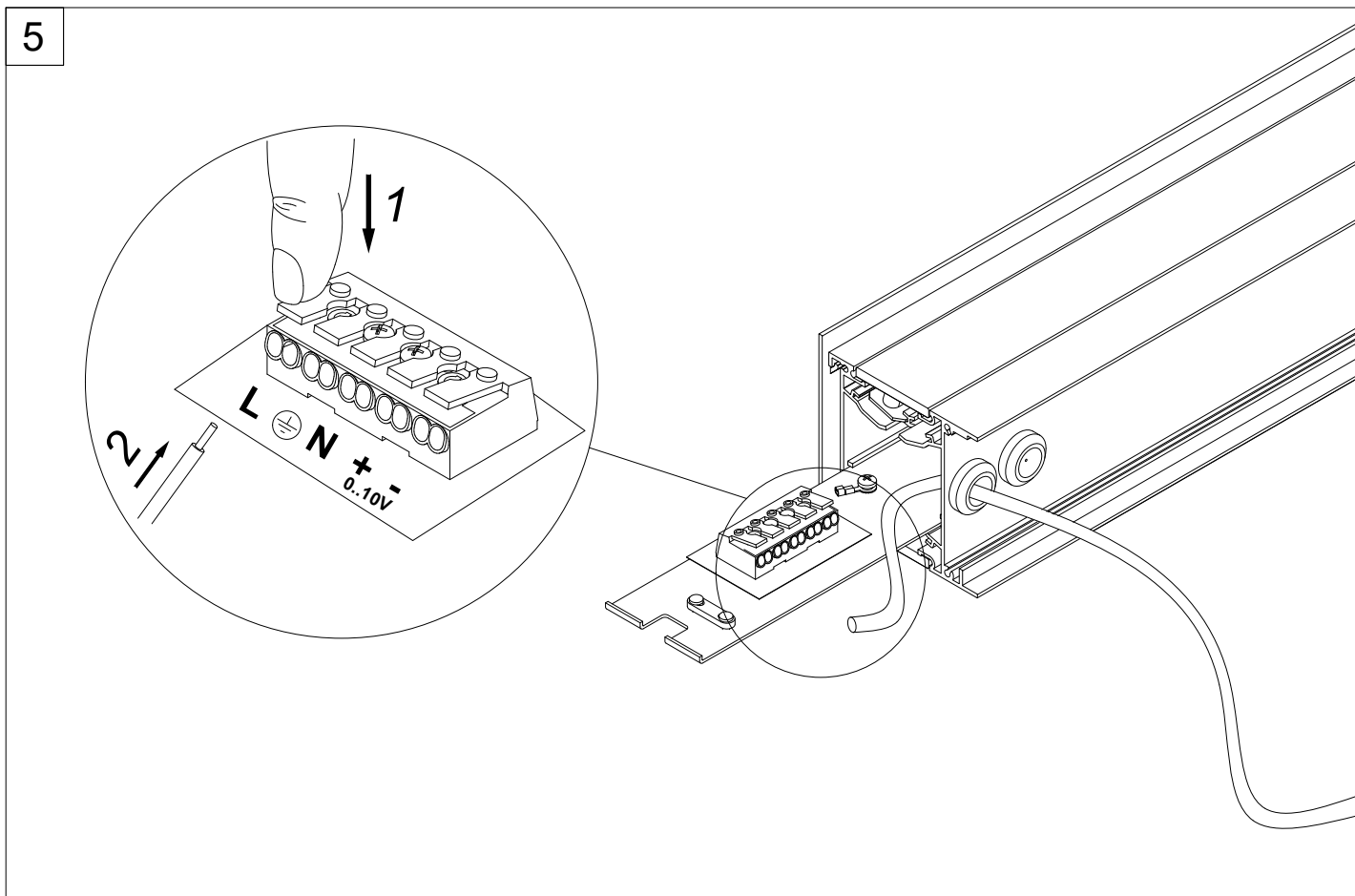
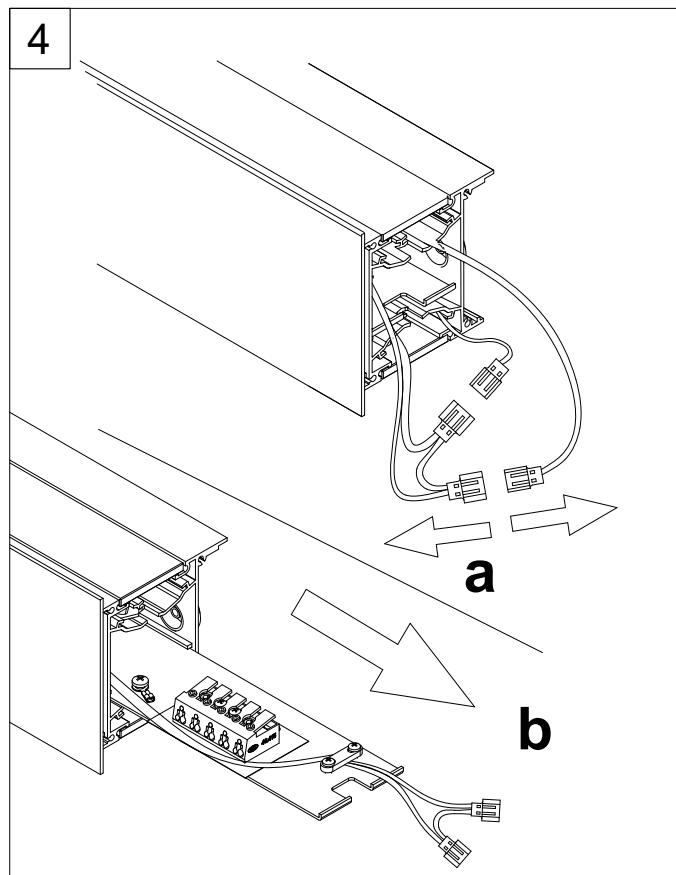
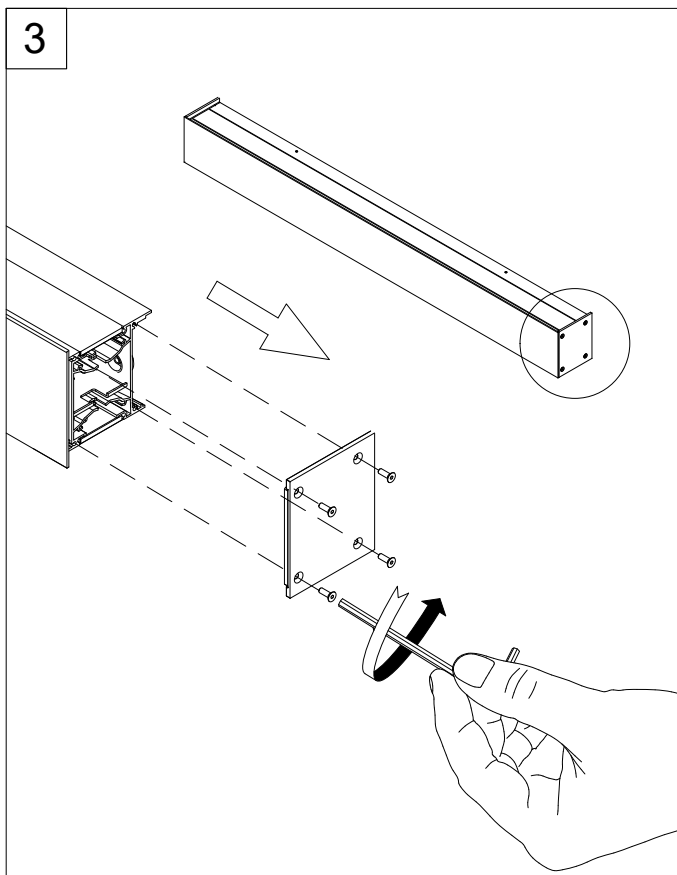


# LEDS C4<sup>+</sup>

AFRODITA Infinite / 05-E084



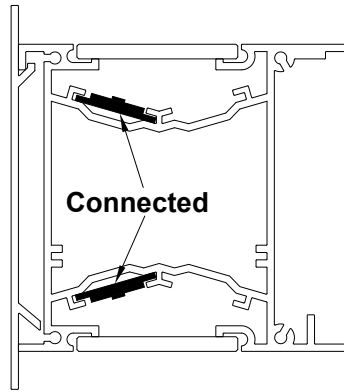
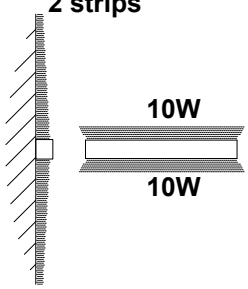
## Single version



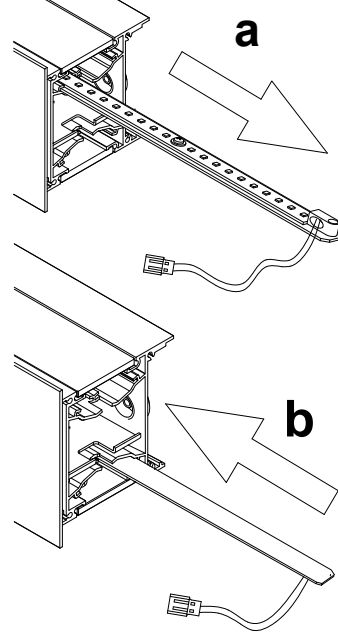
6

## Standard

2 strips

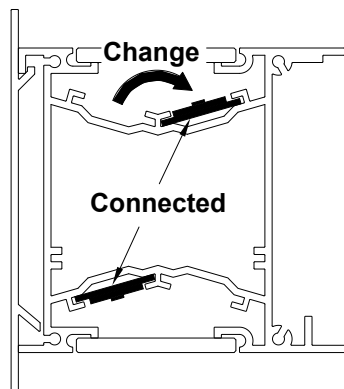
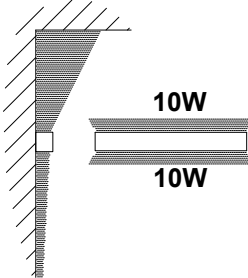


## Change led strip



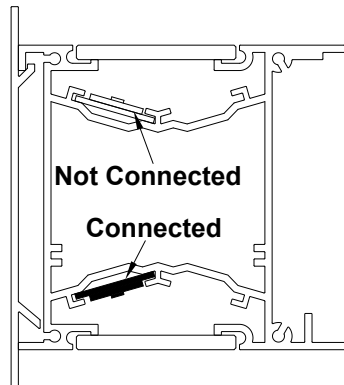
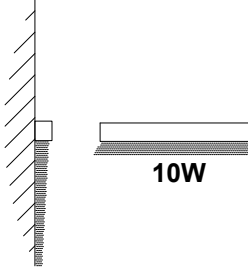
## Ceiling/wall

2 strips

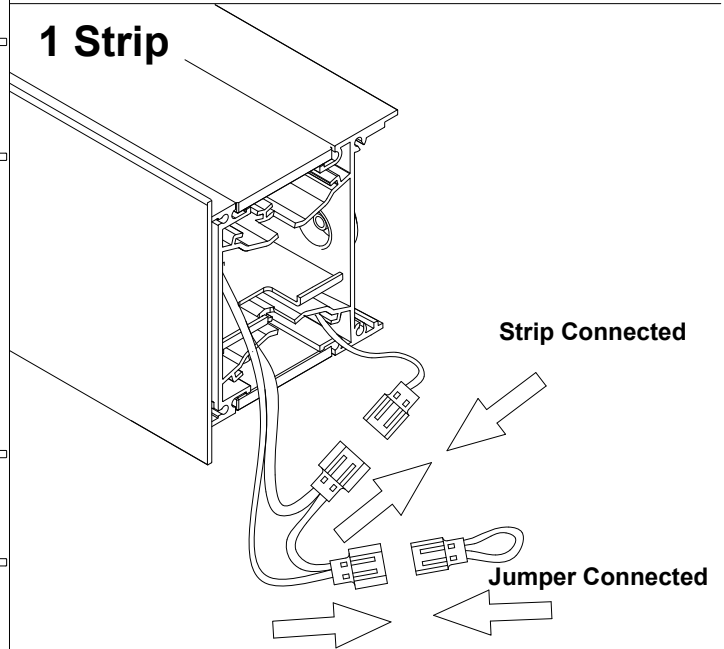


## Wall one side

1 strip

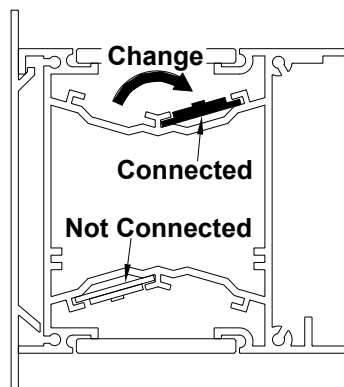
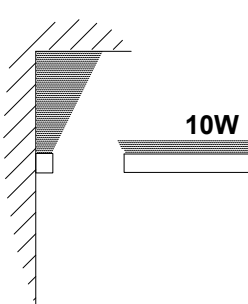


## 1 Strip

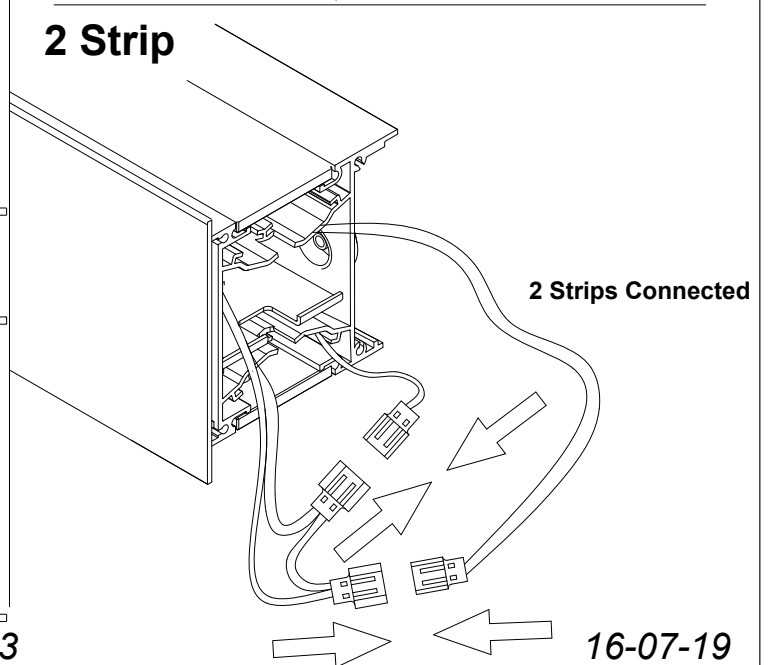


## Ceiling one side

1 strip

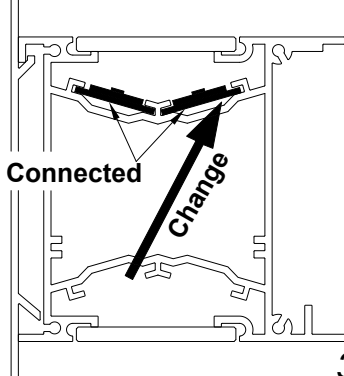
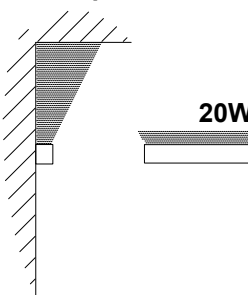


## 2 Strip



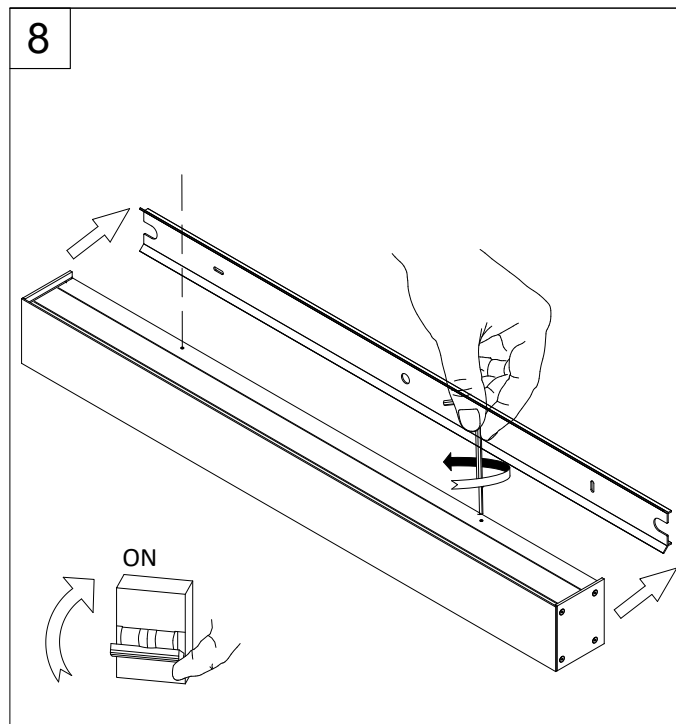
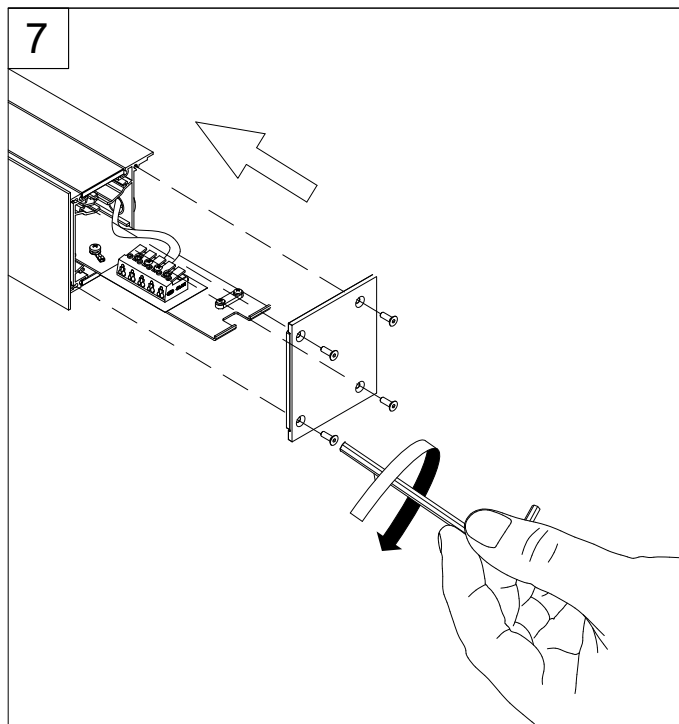
## Ceiling x2 power

2 strips



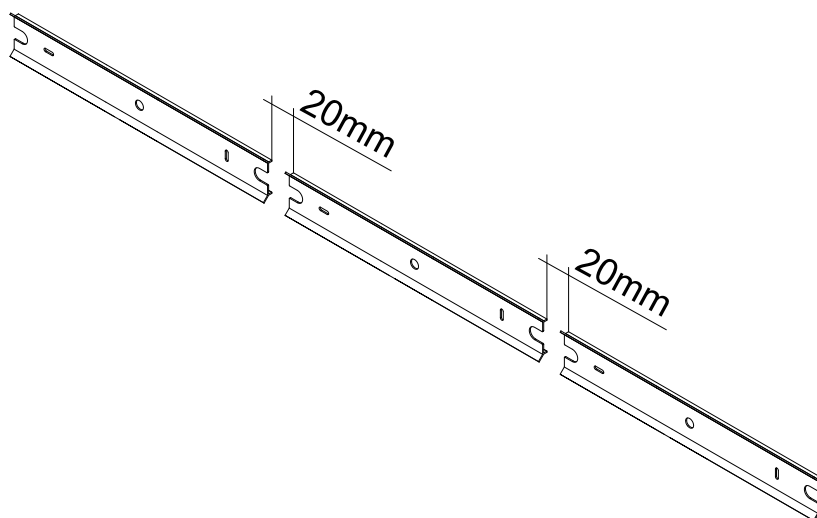
3

16-07-19



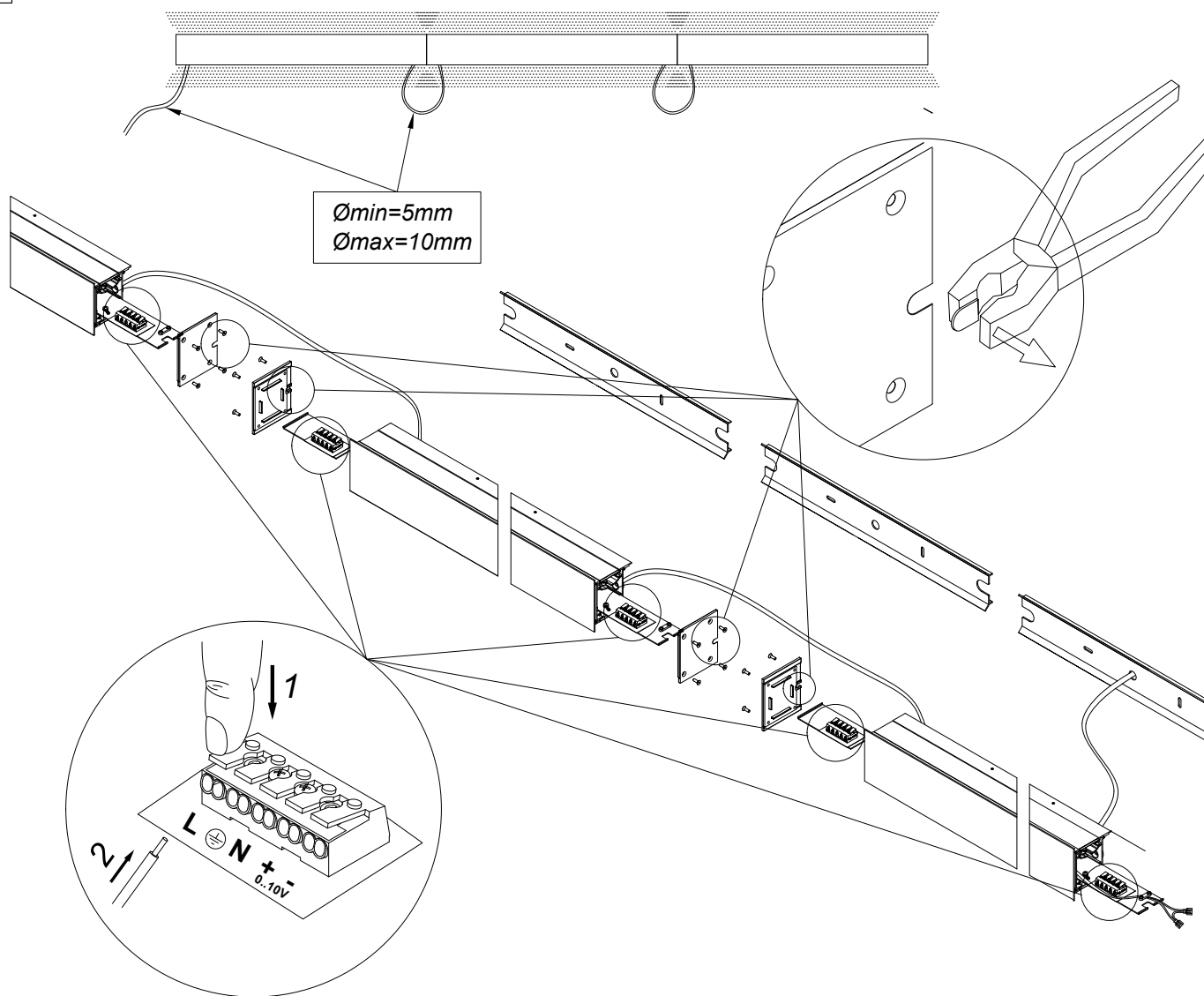
## Linear Multiple System

3



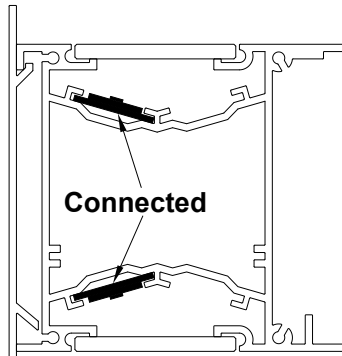
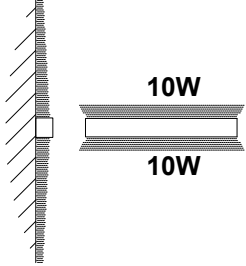
4

### Loop Connection

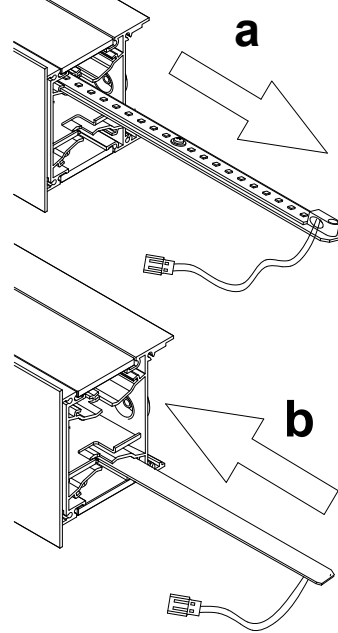


### 5 Standard

2 strips

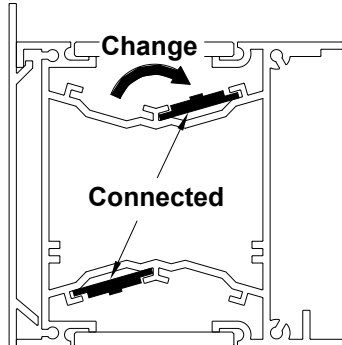
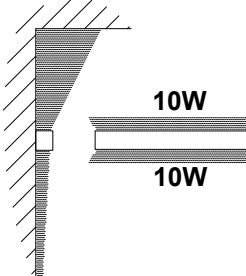


### Change led strip

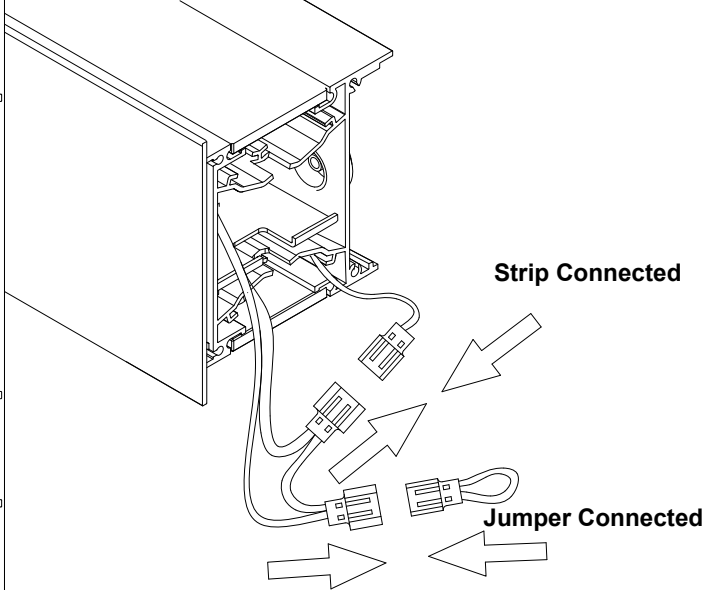


### Ceiling/wall

2 strips

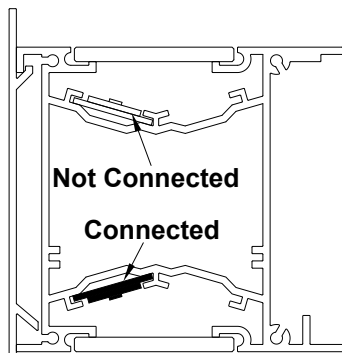
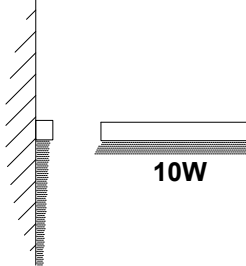


### 1 Strip



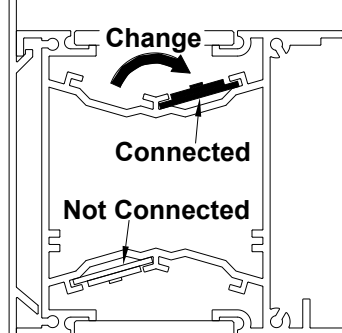
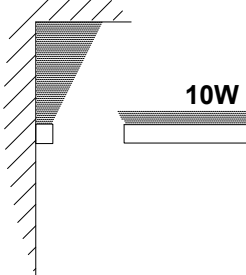
### Wall one side

1 strip

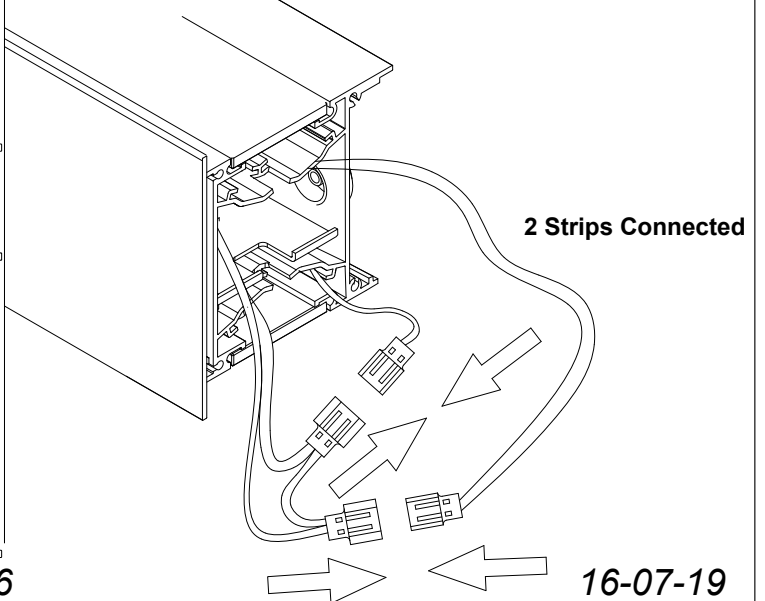


### Ceiling one side

1 strip



### 2 Strip



### Ceiling x2 power

2 strips

