

DRO SUSPENSION

21-Feb.-2019

1.0

LED QT14 max. 3W | G9 | 220-240VAC | 50-60Hz

CE IP20

COLOUR

black mounting + white opal glass 2521G0WB0
black mounting + brown opal glass 2521G0YB0

OPTIONAL LAMP:

QT14 LED opal | 2700K | 170lm | 2.6W 9019G706
more lamps see our catalogue

2.0

LED C35 max. 6W | E14 | 220-240VAC | 50-60Hz

CE IP20

COLOUR

black mounting + white opal glass 2522C0WB0
black mounting + brown opal glass 2522C0YB0

OPTIONAL LAMP:

C35 LED E14 6W opal dim | 2700K | 470lm 9003C101
more lamps see our catalogue

3.0

QA60 max. 12W | E27 | 220-240VAC | 50-60Hz

CE IP20

COLOUR

black mounting + white opal glass 2523E0WB0
black mounting + brown opal glass 2523E0YB0

OPTIONAL LAMP:

QA60 LED E27 9W dim | 2800K | 810lm 9003E148
more lamps see our catalogue

4.0

QA60 max. 15W | E27 | 220-240VAC | 50-60Hz

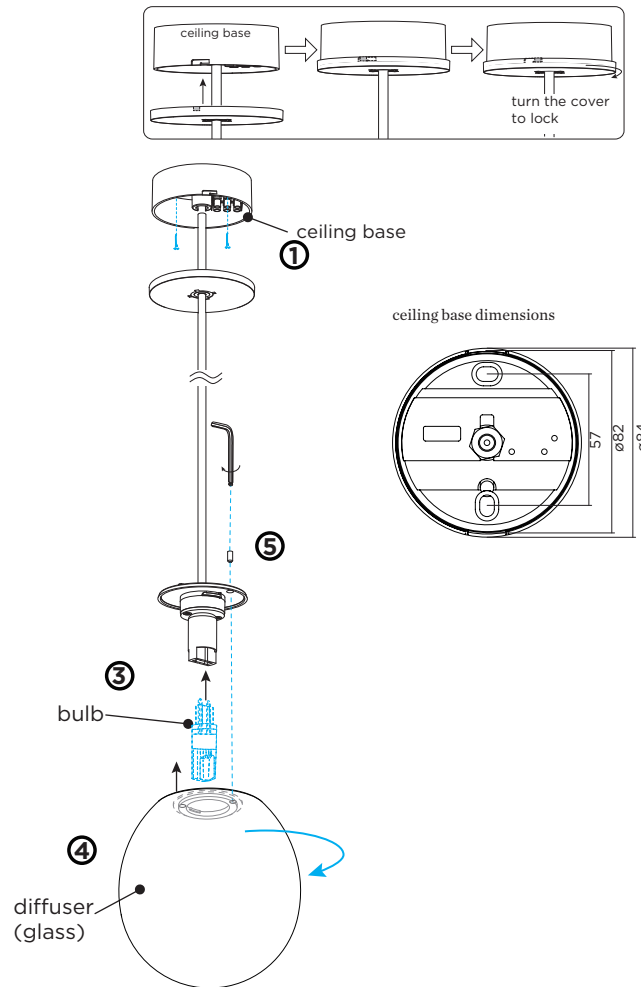
CE IP20

COLOUR

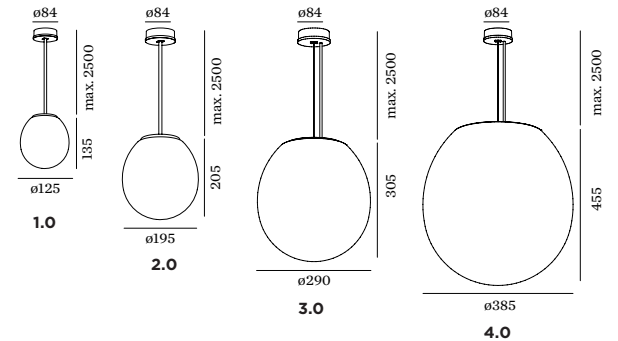
black mounting + white opal glass 2524E0WB0
black mounting + brown opal glass 2524E0YB0

OPTIONAL LAMP:

QA60 LED E27 13W dim | 2700K | 1520lm 9003E131
more lamps see our catalogue



DIMENSIONS



MOUNTING INSTRUCTION

- 1 Mount the ceiling base on the ceiling
(You have to turn the cover counterclockwise a quarter in order to loosen it from the ceiling base and mounting back on is by turning clockwise.)
- 2 POWER CONNECTION
Connect the wires
connection: STANDARD version
- 3 Install a bulb (bulb is not included).
- 4 Mount the diffuser.
 - a Slide the diffuser (glass cover) over the lamp on the base.
Notice: Keep the grooves of the diffuser aligned with the projecting positions of the base.
 - b Rotate the diffuser clockwise till it's fixed to the base and locked in position. (The angle of rotation is about 90°)
- 5 Fix the allen screw to ensure a good and secure fixation between the diffuser and the lamp holder base plate. (the allen screw is included).



WEVER & DUCRÉ
LIGHTING

www.weverducre.com

Wever & Ducré bvba Spinnerijstraat 99/21 8500 Kortrijk

INSTALLATION
INSTRUCTIONS