





### Safety Instructions

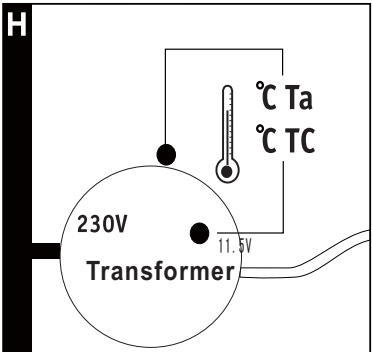
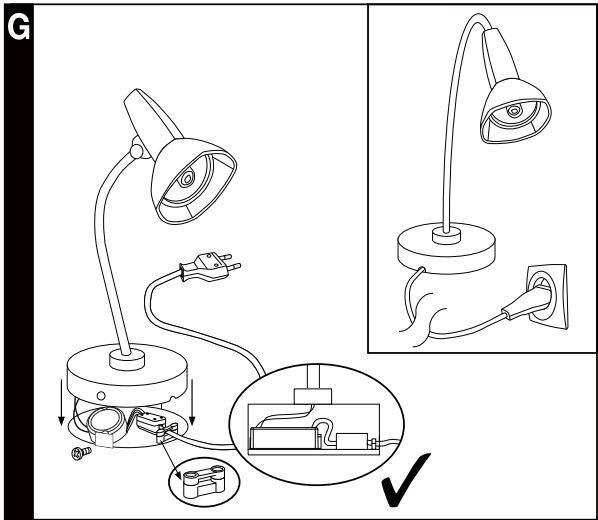
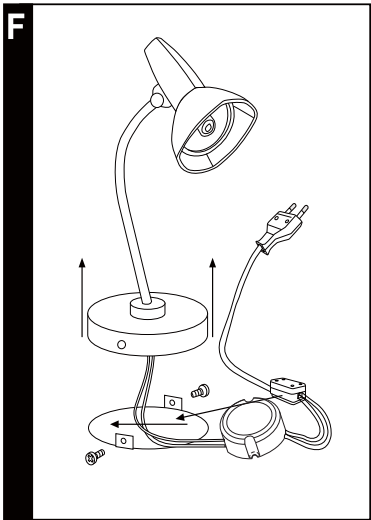
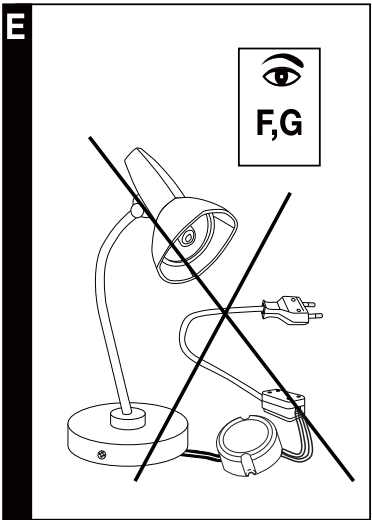
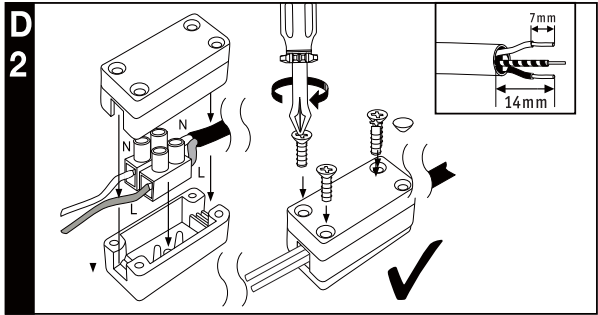
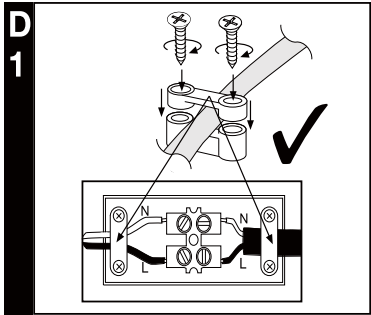
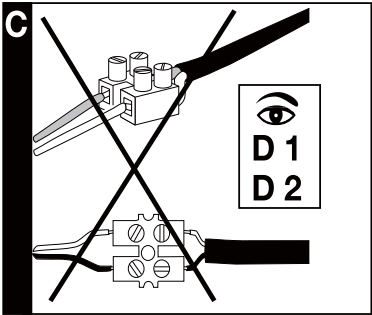
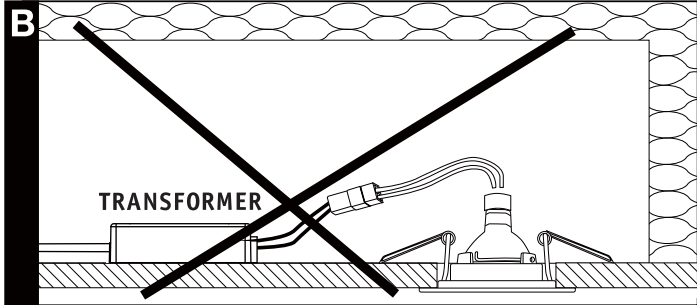
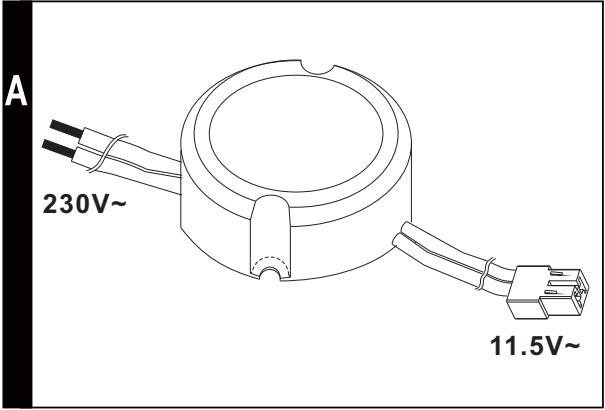
 1, 2, 3, 4, 5, 6, 7,  
9, 11, 12, 13, 14, 15,  
16, 17, 18, 19, 21, 22,  
23, 25, 28, 30, 31, 34,


 Info Hotline  +49(0)5041 998 389  
Mon.-Do. 7<sup>00</sup>-20<sup>00</sup>  
Fr. 7<sup>00</sup>-17<sup>00</sup>


Paulmann Licht GmbH  
31832 Springe/Germany  
www.paulmann.com


Art.-Nr.:  
977.28  
977.29

(+MA 197)  
PDG 11/15 




 SAFETY INSTRUCTIONS  
Nr.28a/b!!

 SAFETY INSTRUCTIONS  
Nr.28a !!

 97728,70VA:Ta=50°C  
97729,105VA:Tc=50°C

---

 97728,70VA:Tc=80°C  
97729,105VA:Tc=80°C