

CLAVA UP WOOD

lampshade | user guide



UIMAGE





WITH LOVE FROM COPENHAGEN

At UIMAGE, our designers take inspiration from the distinct nature of the Nordic landscape to create unique designs related to the way we live in an urban setting. Influenced by the design language, colours and materials found around us in Scandinavia, we create a collection that is rooted in our home but designed for everyone.

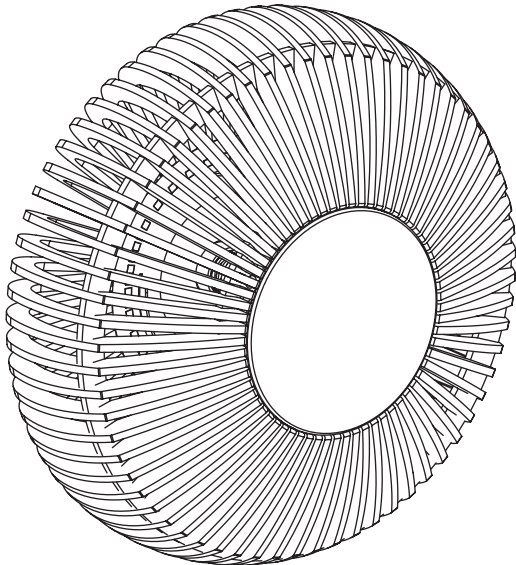
Versatile, flexible and multifunctional, our designs are created to enhance an urban lifestyle in smaller spaces!



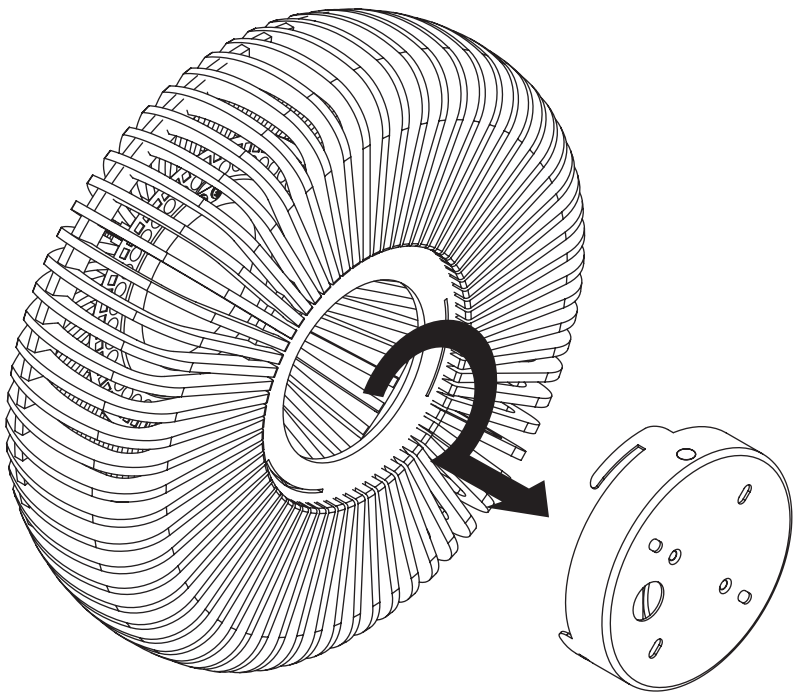
DESIGNED BY
SØREN RAVN CHRISTENSEN

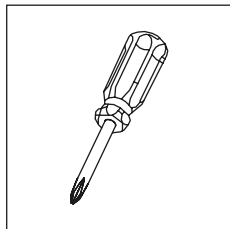
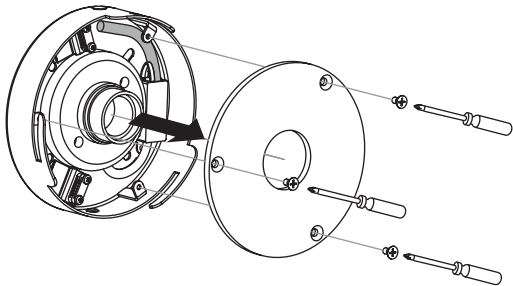
“ From a base of solid natural oak, the light will brighten your home with rays of light and make your walls sparkle „

ASSEMBLY GUIDE

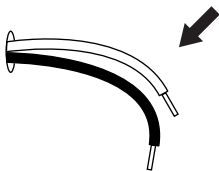


Find assembly videos by using the QR code or by going online at our website
umage.com/instructions

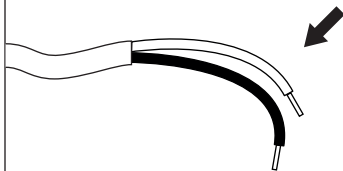




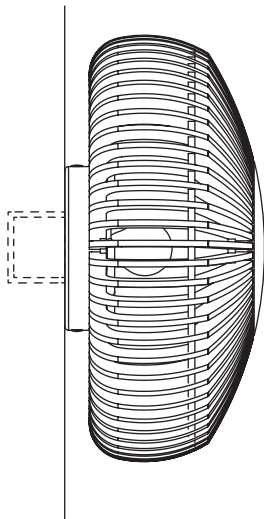
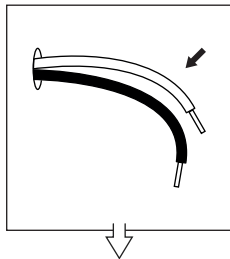
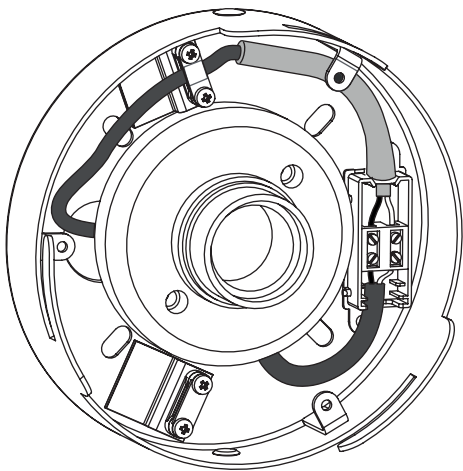
A



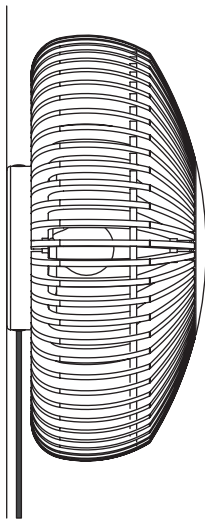
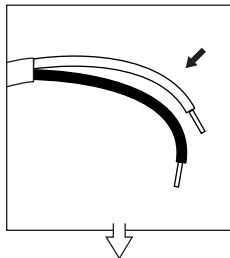
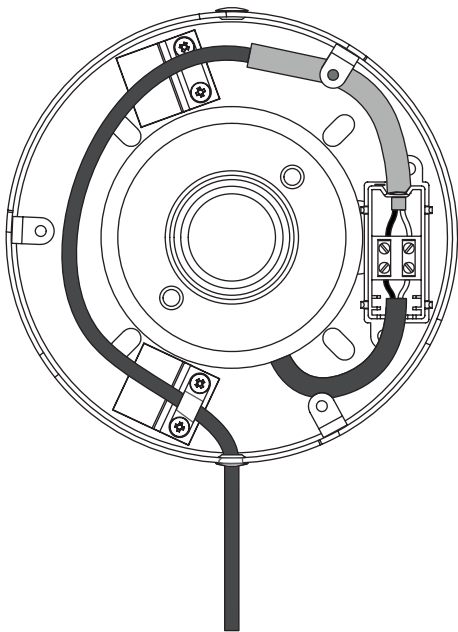
B

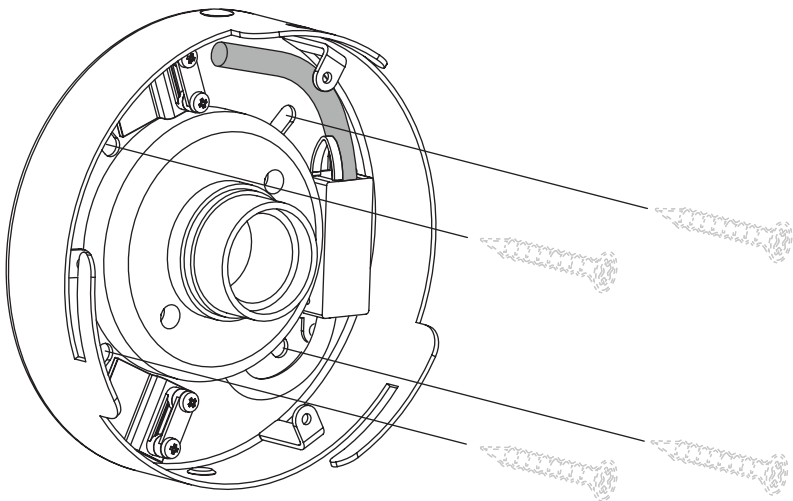


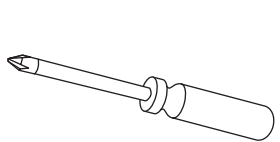
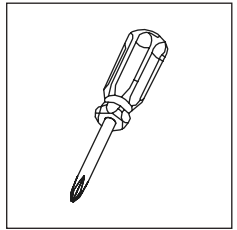
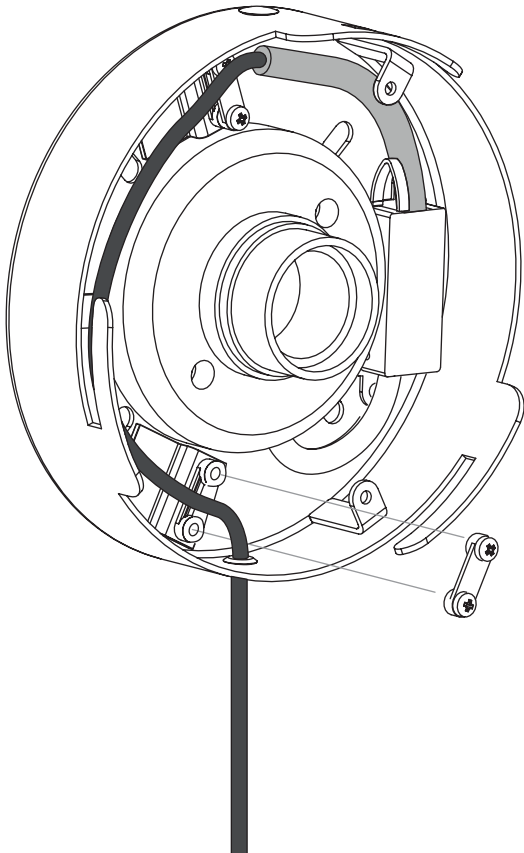
A.1

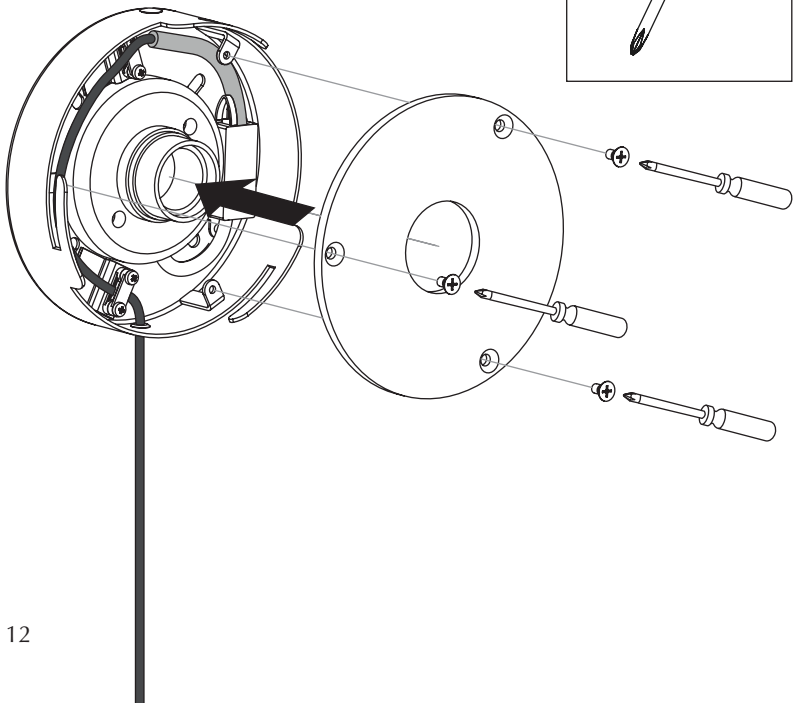
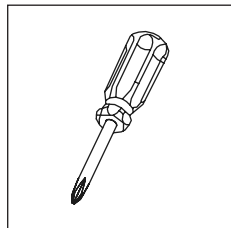


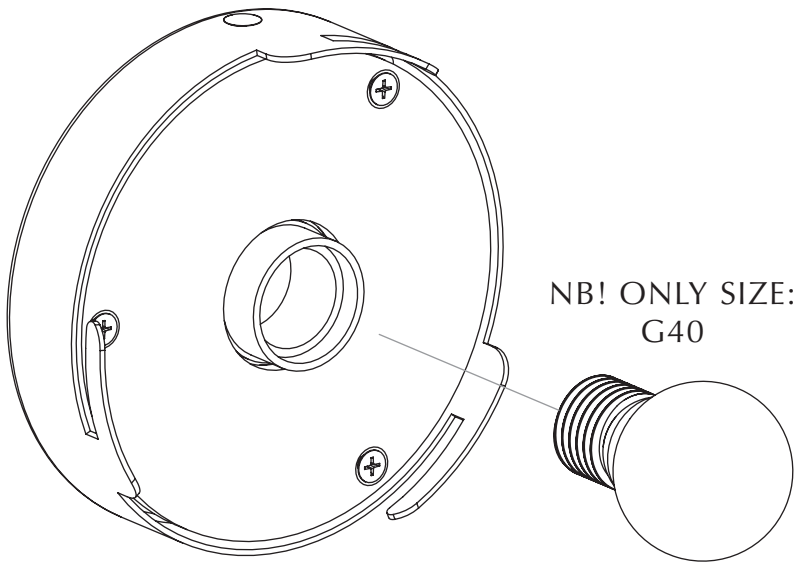
B.1



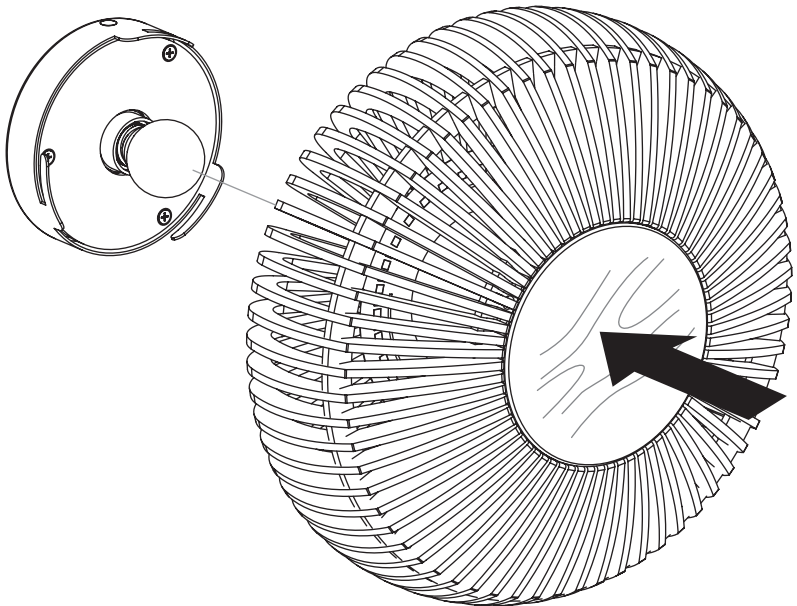




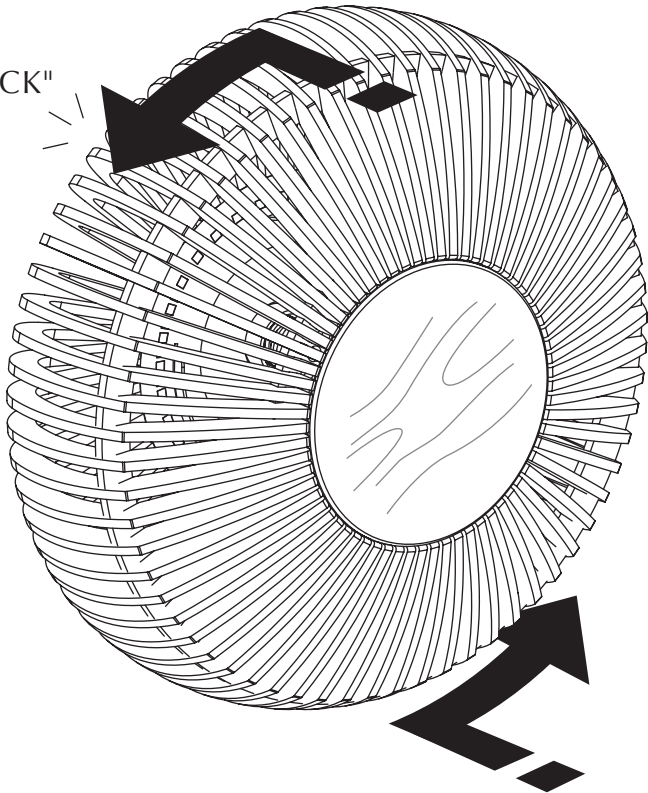


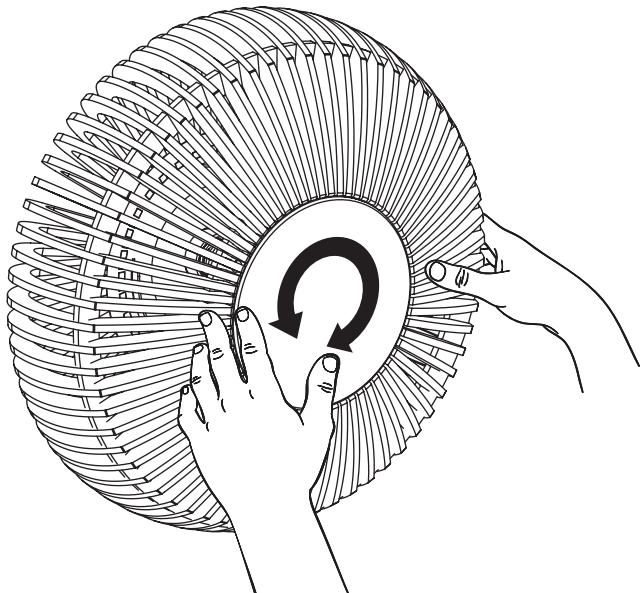
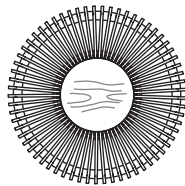
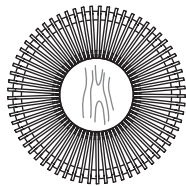


NB! ONLY SIZE:
G40



"CLICK"





ENGLISH

This is a carefully handmade product. Small patterns or minor differences may occur as a natural part of the product's uniqueness.

FRANÇAIS

Produit fait main. De petits motifs ou des différences mineures peuvent varier d'une série à l'autre. Ils font partie de l'unicité du produit.

POLSKI

To jest produkt zrobiony ręcznie z najwyższą starannością. Drobne różnice we wzorze mogą pojawić się jako naturalny element unikalności produktu.

PORTUGUÊS

Este é um produto feito cuidadosamente à mão. Uma vez que cada produto é único, é normal ocorrerem pequenas variações de padrões e outros detalhes.

РУССКИЙ

Этот продукт сделан тщательно вручную. Могут быть небольшие узоры и незначительные отличия, как естественный элемент уникального продукта.



*“SAVING THE SCENT OF
THE FOREST AFTER AN
EARLY MORNING RAIN”*

SUSTAINABLE SUSTAINABILITY EFFORTS

We are dedicated being sensible frontrunners on the environmental responsibility. If we provide timeless and functional quality designs that last, we know nature will prevail, as will UIMAGE.

PLANTING A TREE

We have entered a collaboration with the NGO One Tree Planted, so every time we are selling one of our wooden lamps or furniture pieces we are planting a tree.

REUSABLE PACKAGING

To minimize packaging waste, most of the packaging from our lighting collection is repurposed to be used as beautiful storage boxes afterwards.

INTERCHANGEABLE

Save the world resources by interchanging elements or fabrics from the UIMAGE collection to add new life to the design and your interior without buying new products.

Read more about our many sustainability efforts: umage.com/sustainability

FOLLOW US ON SOCIAL MEDIA



@umagedesign | #umagedesign | umage.com




UMAGE

210114