

# P

## Paulmann

### Safety Instructions



0,1,2,4,5b,7,8,9,  
11,12,15,16,17,19,  
20,21,23,25,29



Info Hotline

+49 (0) 5041 998 389

Mon. - Do. 7<sup>00</sup> - 20<sup>00</sup>

Fr. 7<sup>00</sup> - 17<sup>00</sup>

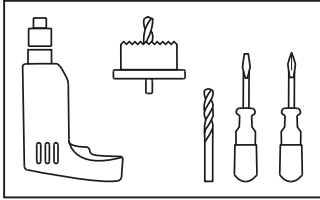


Paulmann Licht GmbH  
31832 Springe / Germany  
www.paulmann.com

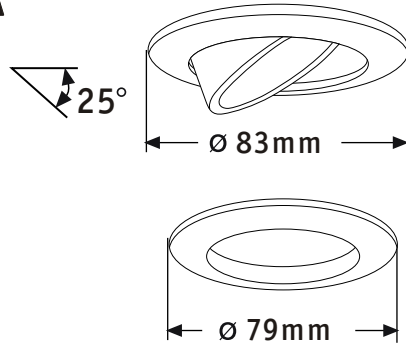
Art.-Nr.:  
507000315

(+MA 173)

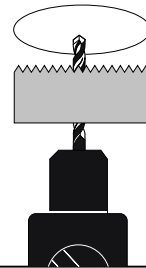
PBO 10/09



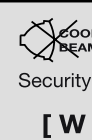
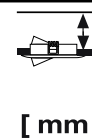
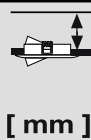
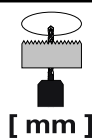
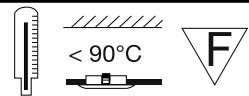
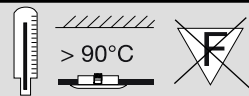
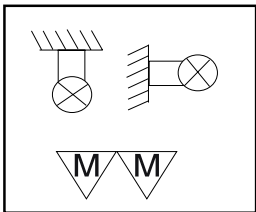
### A



### B



### C



68

50

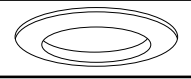
60

35

60

50

90



70

50

60

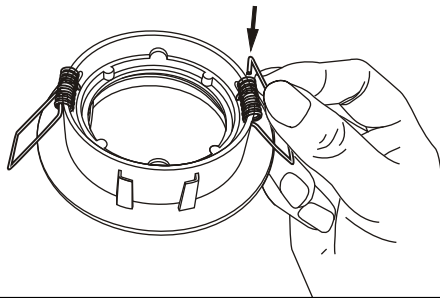
35

60

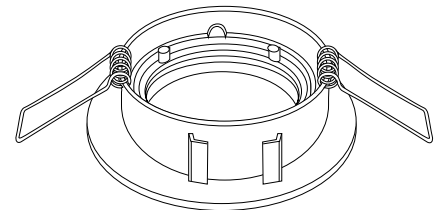
50

90

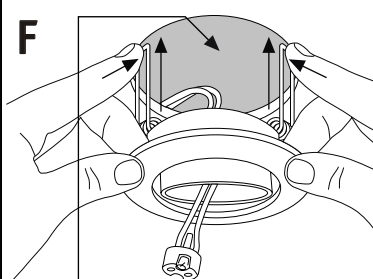
### D



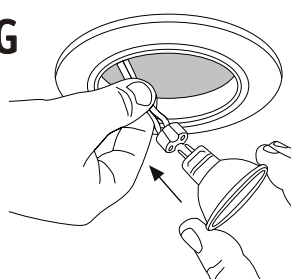
### E



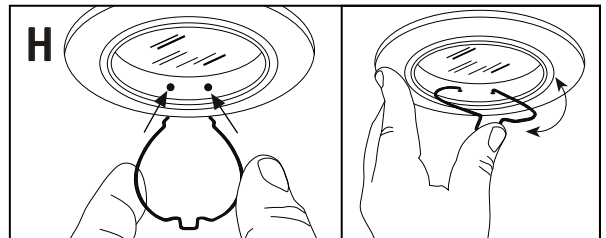
### F



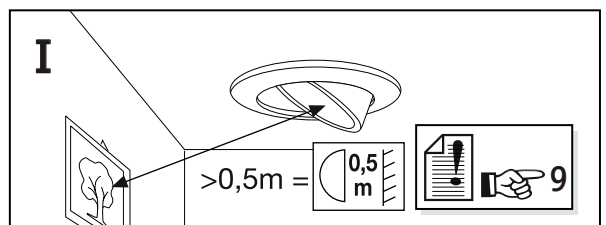
### G

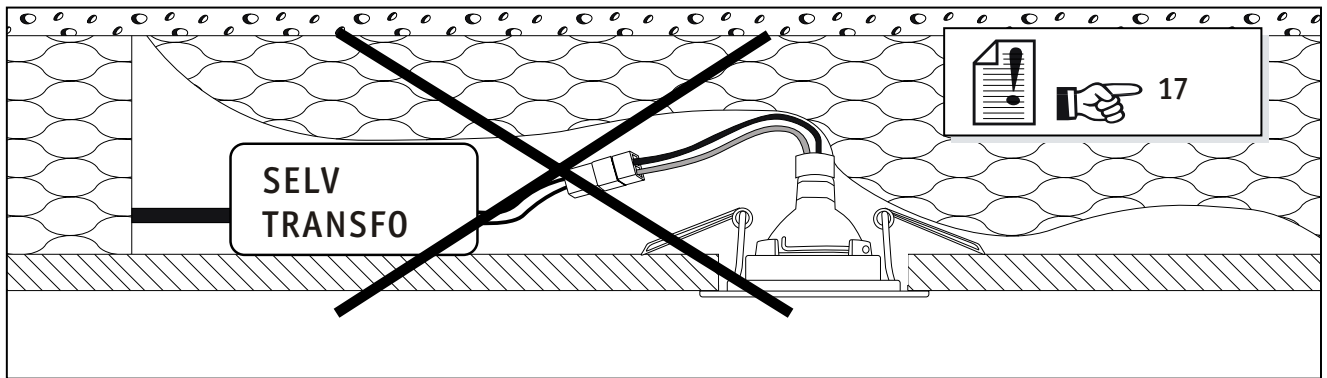
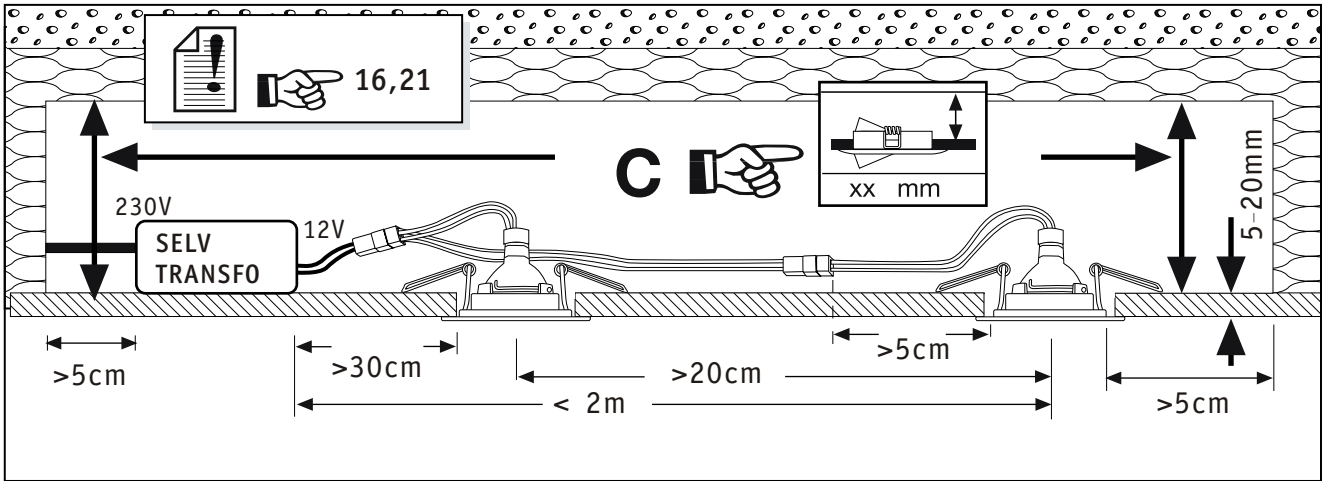



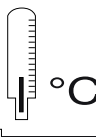




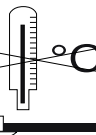

### H



### I





 <b>Paulmann</b> <b>SECURITY</b>	 $^{\circ}\text{C}$	  ↑ 20 % ↓ 80 %	 Art.No.: 20W51mmGU5,3 832.21 35W51mmGU5,3 832.31 50W51mmGU5,3 832.51
 <b>COOL BEAM</b>	 $^{\circ}\text{C}$	 ↑ 60 % ↓ 40 %	

