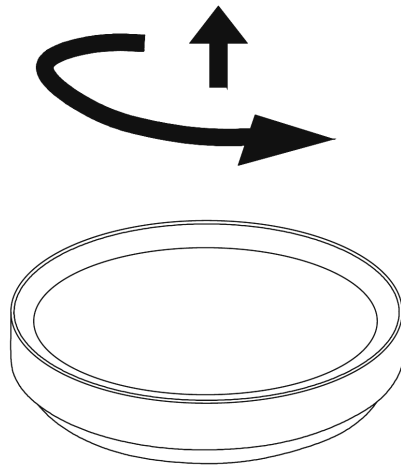
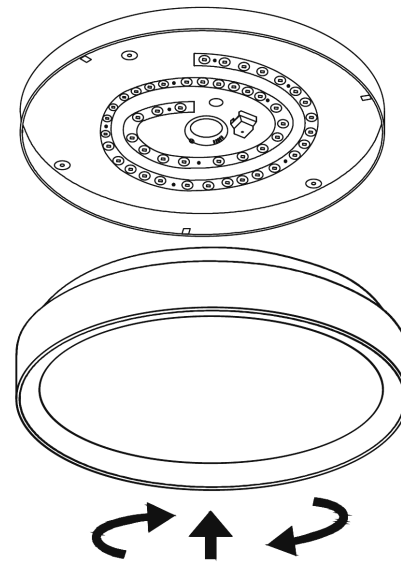


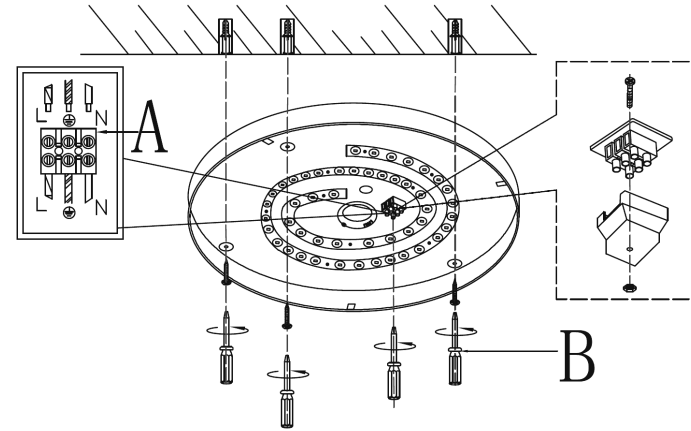
4



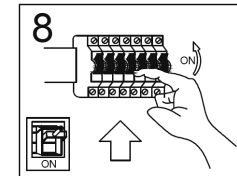
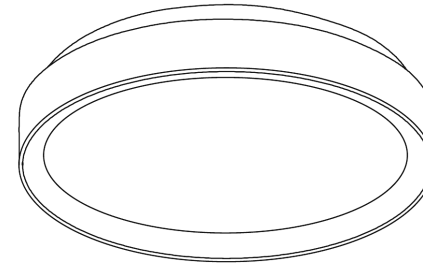
6



5

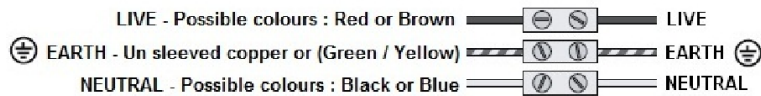


7

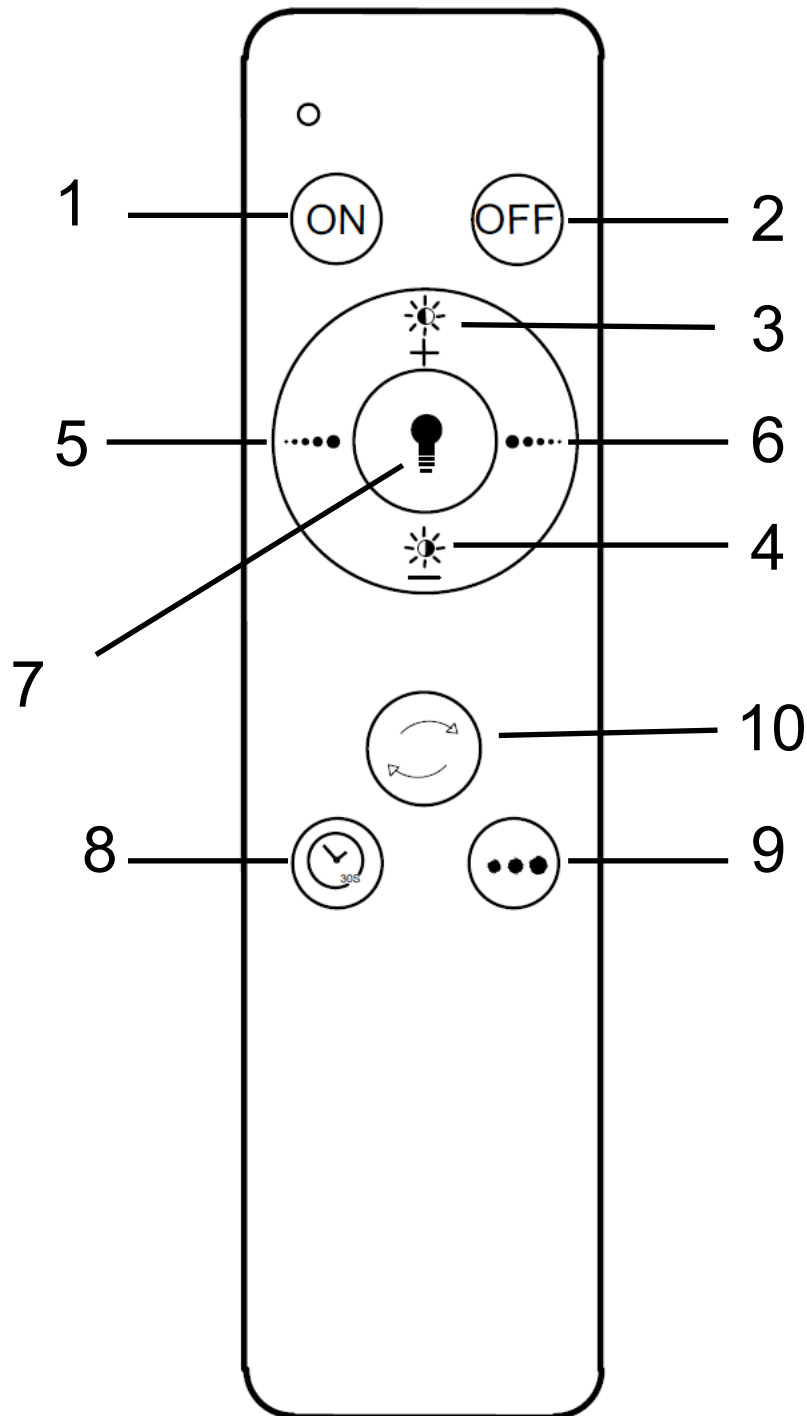


**MAINS SUPPLY**

**LIGHT FITTING**



# RC –INSTRUCTIONS



1. ON
2. OFF
3. DIM UP +
4. DIM DOWN -
5. KELVIN UP+ 6500K
6. KELVIN DOWN—3000K
7. NIGHT LIGHT
8. AUTO 30sec OFF
9. CHANGE 3000K/4000K/6000K
10. SYNCHRO –CONTROL MULTIPLE LUMINAIRES WITH 1 R/C.

Memory—The brightness and kelvin settings are stored in the memory even after switching off the light at the wall switch. If there is a delay of at least a few seconds between switching ON and OFF the Kelvin colour changes between 4000K-6500K-3000K when switching ON and OFF quickly

- The Remote control requires 2 x “AAA” Batteries ( Not supplied) .
- Never dispose of the battery in a fire as it may explode.
- Please recycle the battery where facilities exist .Check with your local authority or retailer for recycling advice.