

FIG-1

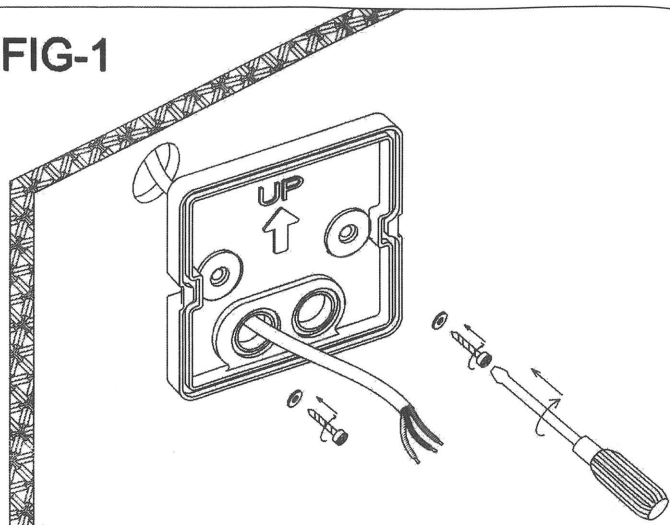


FIG-2

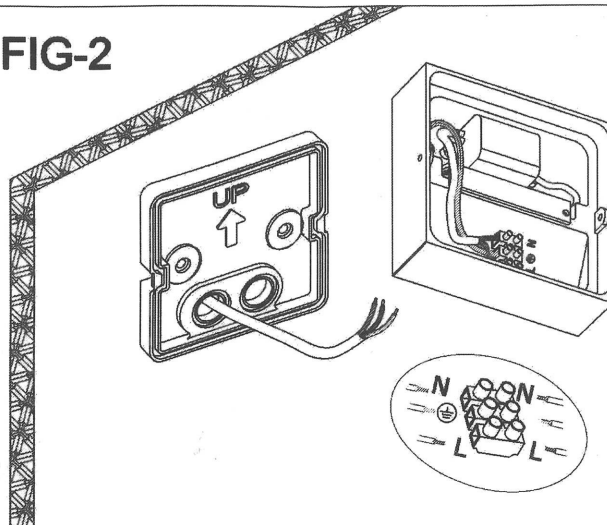


FIG-3

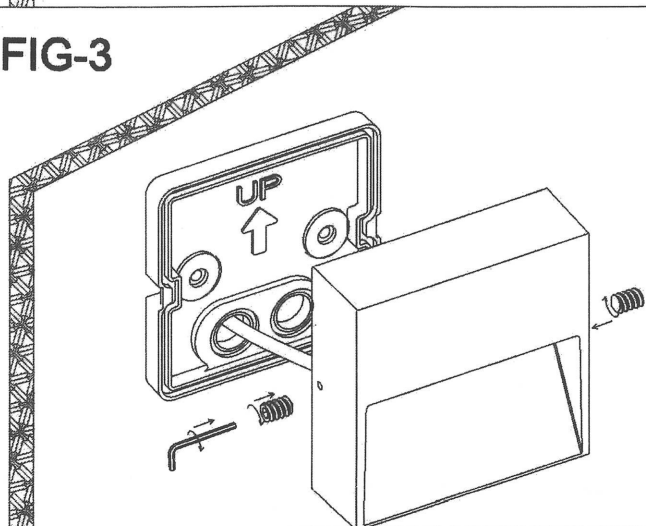
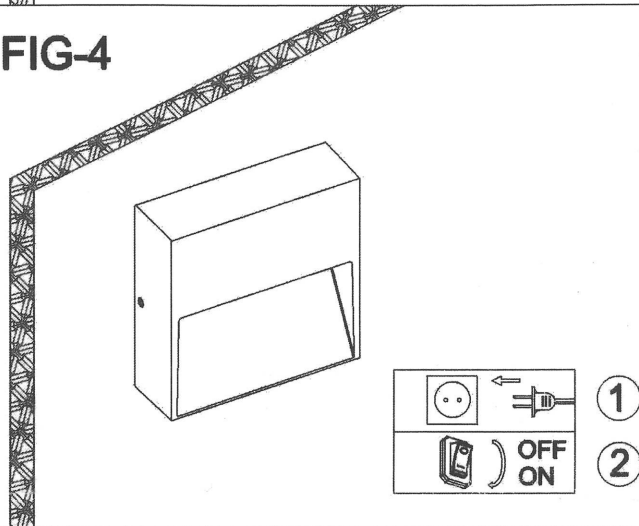


FIG-4



D943/D944

VIGO Q

**SAFETY INSTRUCTIONS**

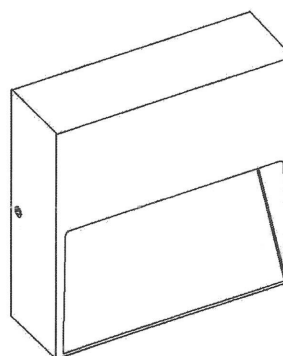
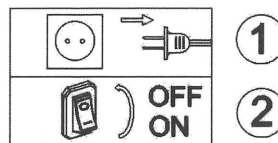
- The appliance should be installed, connected and tested by qualified electrician, and in accordance with local regulations.
- Turn off the power supply before installation or maintenance of the appliance, and make sure that the cables will not be squeezed or damaged by sharp edges.
- Clean the appliance with a soft cloth and a standard PH neutral detergent.
- Stainless steel surfaces should be maintained regularly.
- Misuse, or change to the appliance shall nullify the guarantee.
- The manufacturer is free to change the design, specifications and instructions for assembling.

THE APPLIANCE SHOULD NOT BE COVERED BY INSULATION BLANKET OR SIMILAR MATERIALS IN ANY CASE.

**INSTALLATION INSTRUCTIONS**

" L " : Brown

" N " : Blue



DO NOT TOUCH OR CLEAN THE LED ARRAY IN ORDER TO AVOID DAMAGE THE LED CHIP

