



FRANSEN

BALL.

Designer: Benny Frandsen (1968)

MAGNET WALL LAMP.

BALL is a genuine Danish design classic created by Benny Frandsen in 1968. In 2018, the BALL lamp celebrated its 50th anniversary.

BALL was originally introduced as a pendant lamp and wall-mounted lamp with magnet, and the magnet lamp was particularly successful. In the 1970s, the lamp could be found in most Danish homes, and it has since moved into summer cottages, nurseries and any space where good lighting is needed. To this day, most Danes have a special relationship to the little round lamp.

Over the years, BALL has evolved in keeping with the trends of the day, and the lamp has been produced in all the popular colours of the past many decades. Since 1968, the BALL family has also regularly been expanded without losing its most well-known design elements. Today, BALL comes in countless colours and models, ranging from table lamps and floor lamps to wall lamps and pendants.

Materials:
Metal plated
Painted white inside

Cord:
230 cm fabric

On/off:
On/off switch on wall box

Socket/bulb (not incl.)
E14 max 25W.

Learn more about e.g. Kelvin, Lumen, Watt - see our homepage. [Click here.](#)

Recommended bulb:
Art.no. 110200
Megaman T-Lamp E14 LED 2.2W (Energy class A++)

Weight:
0.5 kg.

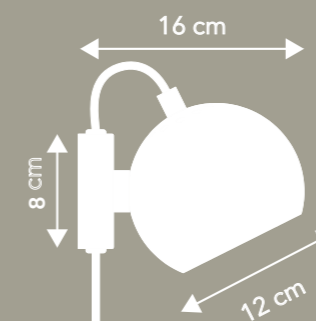
Box dimensions:
13x16x13 cm
0.6 kg. gross

Assembly Instructions:
See and/or download [here.](#)

Press release:
Please feel free to use our press release. [Click here.](#)

High resolution images:
If you need high resolution images - see our images of this model [here.](#)

Instagram ready images.
The correct format for Instagram images can be downloaded [here.](#)



Glossy chrome.
Art.no. 104753



Matt brushed satin.
Art.no. 104751



Matt dark grey.
Art.no. 104740



Matt light grey.
Art.no. 104747



Glossy copper.
Art.no. 104744



Matt antique brass.
Art.no. 104741



Matt black.
Art.no. 104755



Matt petrol blue.
Art.no. 104739



Matt white.
Art.no. 104756



FRANSDEN

BALL.

Designer: Benny Frandsen (1968)



MAGNET WALL LAMP.

Materials:
Metal plated
Painted white inside

Cord:
230 cm fabric

On/off:
On/off switch on wall box

Socket/bulb (not incl.)
E14 max 25W.

Learn more about e.g. Kelvin, Lumen, Watt - see our homepage. Click [here](#).

Recommended bulb:
Art.no. 110200
Megaman T-Lamp E14 LED 2.2W (Energy class A++)

Weight:
0.5 kg.

Box dimensions:
13x16x13 cm
0.6 kg. gross

Assembly Instructions:
See and/or download [here](#).



Glossy Nude.
Art.no. 123397
Black fabric cord



Glossy mint.
Art.no. 123398
Black fabric cord



Glossy red.
Art.no. 123399
Black fabric cord



Glossy pale grey.
Art.no. 123400
Black fabric cord



Glossy warm grey.
Art.no. 123401
Black fabric cord

