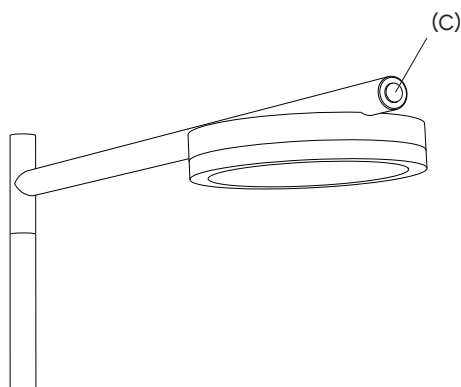


1. To assemble the Igram lamp-table screw the table top (A) onto the body (B).
-



2. To turn on the lamp, tap the switch button (C) located on the horizontal arm. Hold the switch button to adjust light intensity.

Igram by GRUPA

Important

The safety of this product can only be guaranteed if these instructions are observed during use. We advise keeping these instructions.

This luminaire must be connected to a grounding electrical system. Always turn off power to the system before starting installation work. Whenever acting on the luminaire (i.e. changing the light bulb), ensure that the power supply has been switched off.

Warning

This product has been carefully handmade and due to the nature of such work please allow slight variations in the surface of the material.

Do not use force to assemble the luminaire. Always pay attention to the luminaire balance, do not place the table on uneven surfaces.

Do not disassemble this product. Grupa declines all responsibility for products that are modified without prior authorization.

This product is for indoor use only. Do not immerse this product into water.

Regularly check that there is no damage to cables and other parts. If the external cable of this luminaire is damaged, it must be exclusively replaced by the manufacturer or its authorized service agent or similar qualified persons in order to avoid a hazard.

Avoid using sharp objects as they may scratch the surface permanently. Avoid any contact with sources of heat. Do not sit or stand on the table. Do not subject the table to strong impact.

Light Source

The light bulb is included. The product contains a light source of energy efficiency class A⁺.

Grupa guarantees that the luminaire will work properly only with the light bulb provided with the luminaire. Should you exchange the light bulb, we suggest to use the same type as provided with the luminaire.

Environment

Do not throw this product in regular household trash but in a proper waste disposal.

Cleaning

Powder-coated surfaces should be cleaned with aqueous solutions made from pH-neutral detergents or cleaning products and soft, non-abrasive cloths, rags or industrial cotton batting.

Always clean metal surfaces gently and without scrubbing so that the surface is not scratched. Never use cleaners containing granular substances, acetic acid or citric acid.

For dusting and light cleaning of wooden and ceramic surfaces use a soft, dry cloth. If needed, gently wipe the surfaces with soft cloth wrung in clean water and immediately wipe the surface again with a dry cloth.

Manufacturer:
Grupa Studio d.o.o.
Popa Dukljanina 1
10000 Zagreb, Croatia, EU

info@grupa.com
grupa.com

