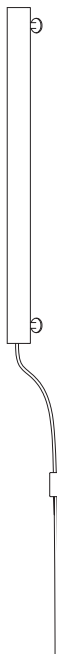


GEJST

WALL LAMP LONG AND SHORT RADENT

By Rune Krøjgaard

Instruction



ATTENTION

In some countries, electrical installation must be carried out by authorised electricians/contractors; please check with your local authority for guidance.

The product must not be modified in any way.

Gejst accepts no responsibility for any products that have been modified or tampered with.

This lamp is designed for indoor use only.

The RADENT wall lamps are designed to be used with LED direct driver (one circuit) based light sources only. Halogen or incandescent light sources should never be used, as it may cause damage to the lamp. Gejst accepts no responsibility for any damage due to the use of incorrect light sources.

TECHNICAL DATA

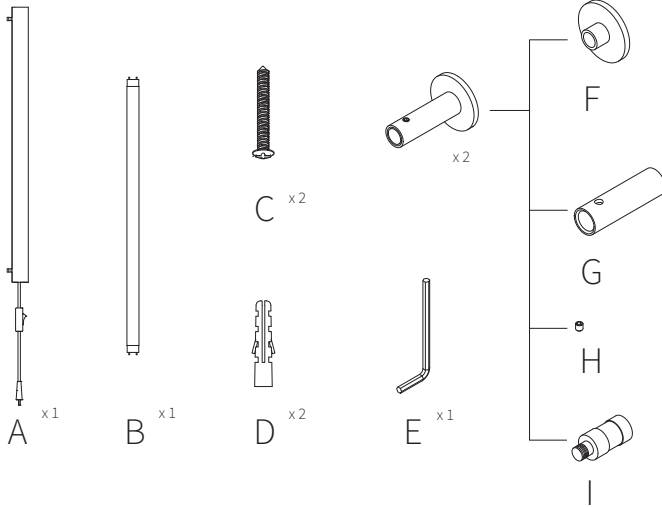
This product is fitted with a LED tube warm white LED Tube, 3000 Kelvin. Average lifespan 35.000 Hours.

The lamps are only fitted with single output LED tubes. Direct Driver which only provide electricity in one end.

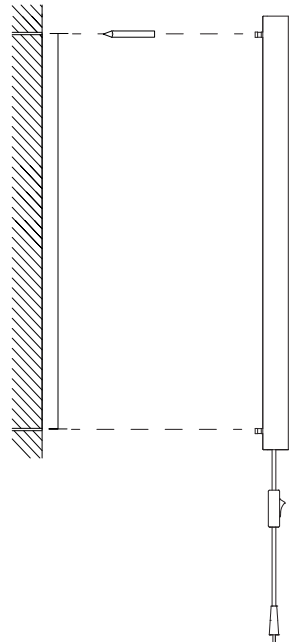
Please NOTE to place the electrical end towards the cable.

Gejst will not accept any responsibility for any accidents or injuries that occur due to the use of incorrect bulbs.

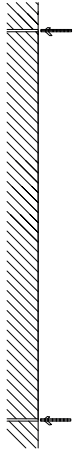
Content of the box



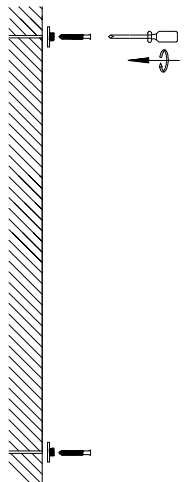
- ① Measure and mark where the holes need to be placed.



- ② Drill the holes and insert plugs (Part D).

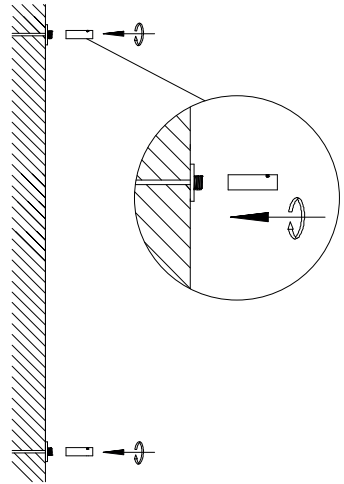


- ③ Place the wall mounts (Part F) over the holes and fasten them with the screws (Part C).

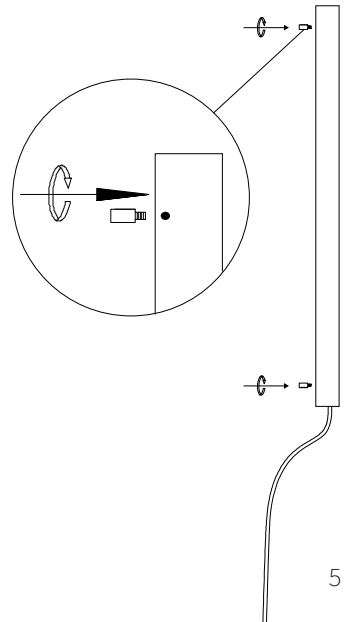


GEJST

- ④ Attach the tubes (Part G) on the wall mounts (Part F).

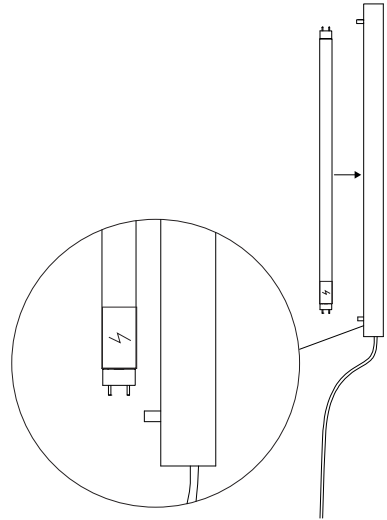


- ⑤ Fasten the pins (Part I) on top and bottom of the lampshade (Part A).

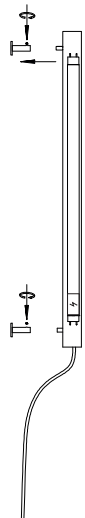


- ⑥ Insert the LED tube (Part B) into the lampshade (Part A).
Please make sure to place the LED tube with the L and N towards the cable.

Fasten the LED tube (Part B) by holding the lamp and turn the LED tube with your thumbs 90 degrees.



- ⑦ Place the lampshade (Part A) with the LED tube (Part B) on the wall mounts, by inserting the pins into the tubes, and secure with grub screws (Part H) using the allen key (Part E).



GEJST

- ⑧ RADENT wall lamp is now assembled.

