



Paulmann

Safety Instructions

1, 2, 3, 4, 5, 6, 7, 10, 12, 13, 15, 16,
19, 20, 21, 22, 24, 28, 33, 34



Info

www.paulmann.com

Paulmann Licht GmbH
Quezinger Feld 2
31832 Springe
Germany

www.paulmann.com

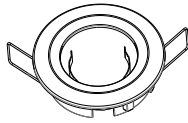
Art.-Nr.: 944.74



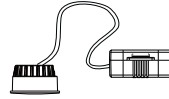
(+MA326) PSU 05/20



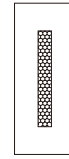
i IP44



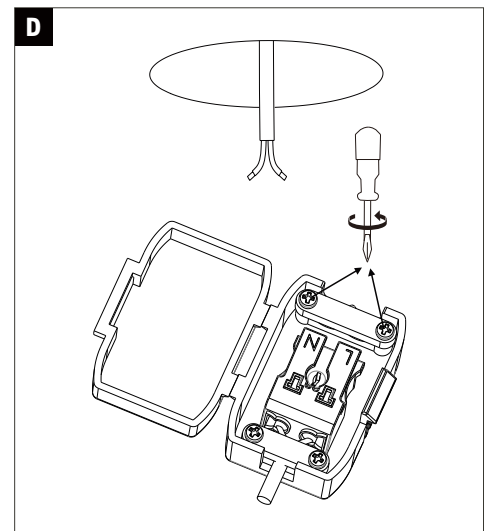
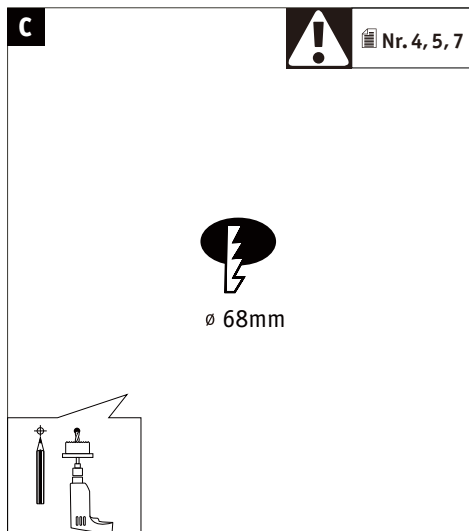
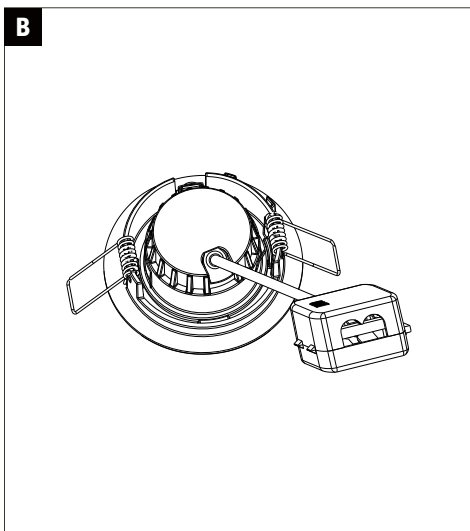
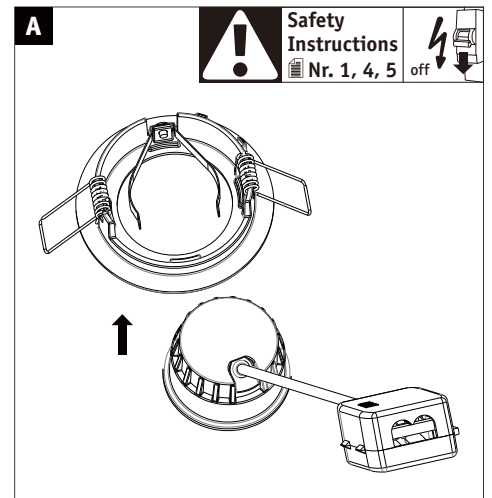
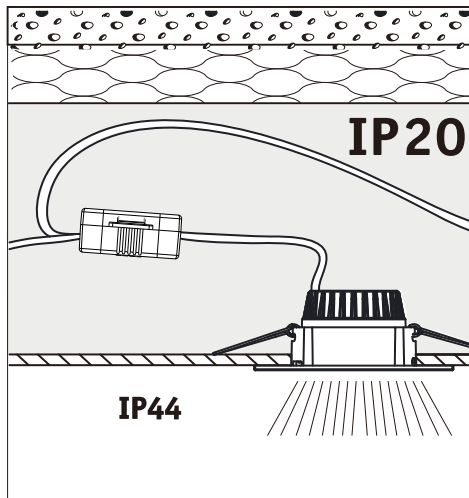
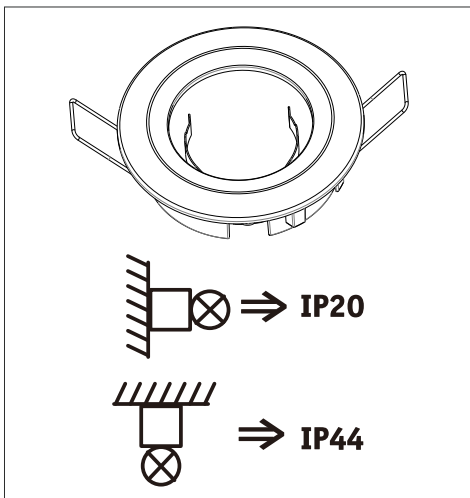
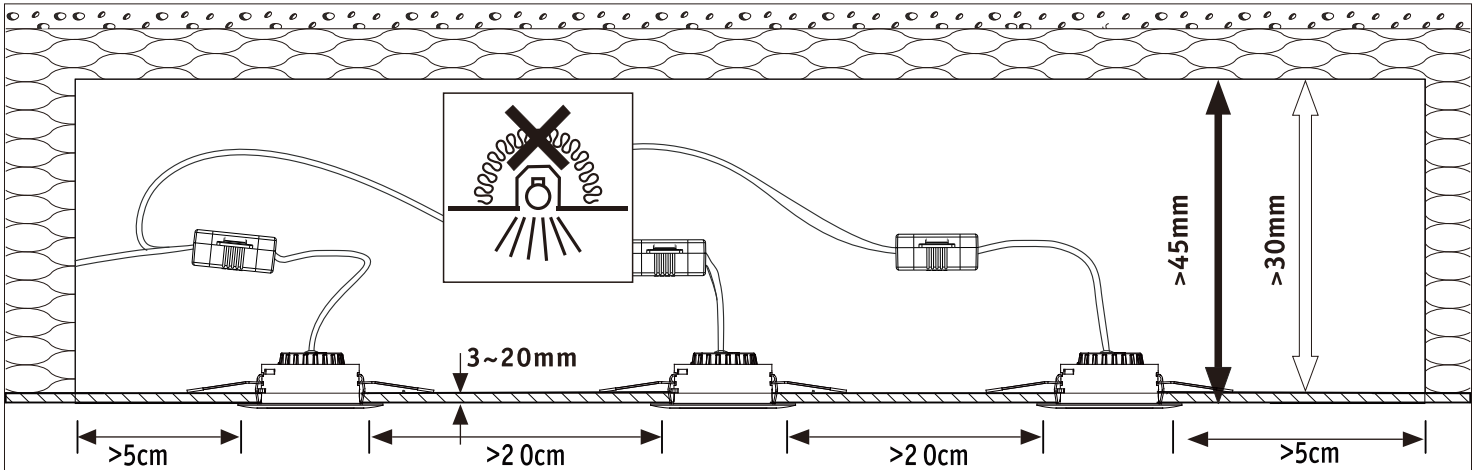
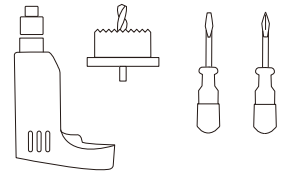
3x

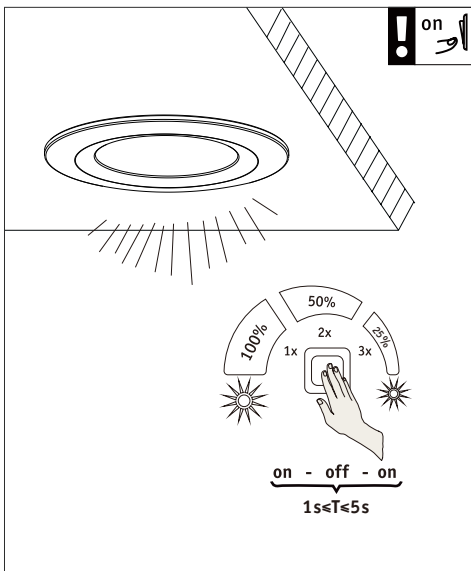
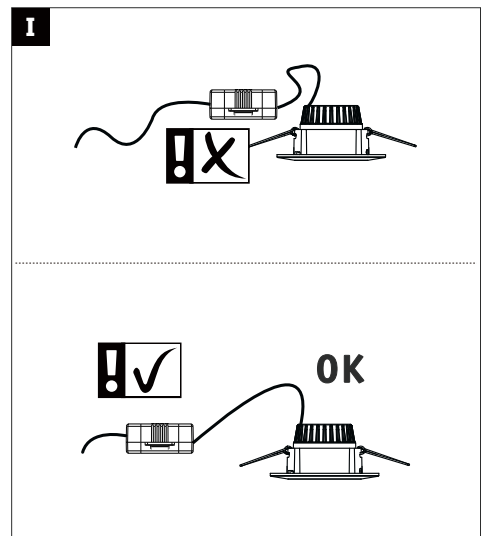
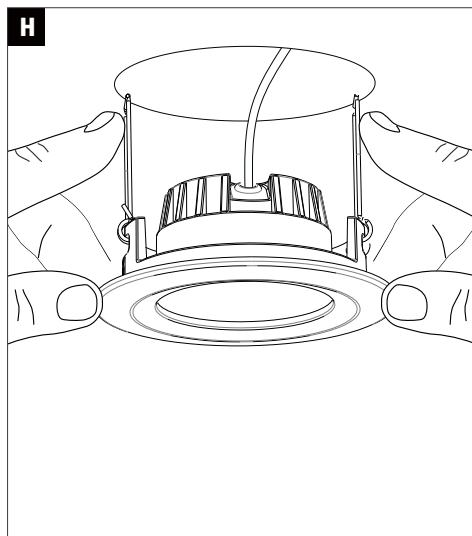
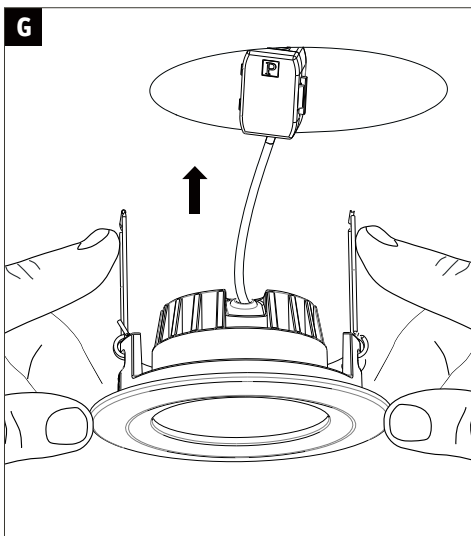
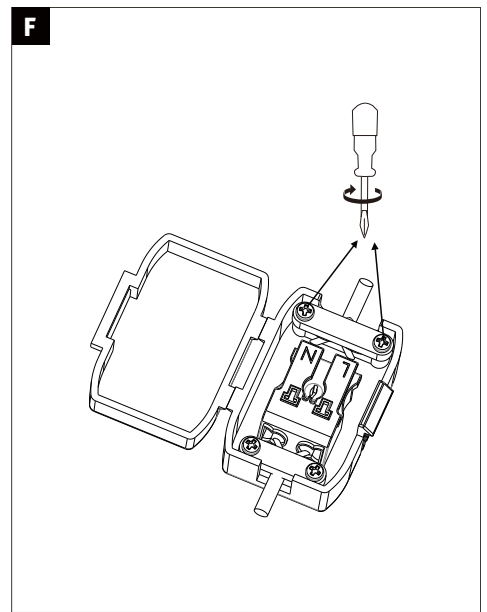
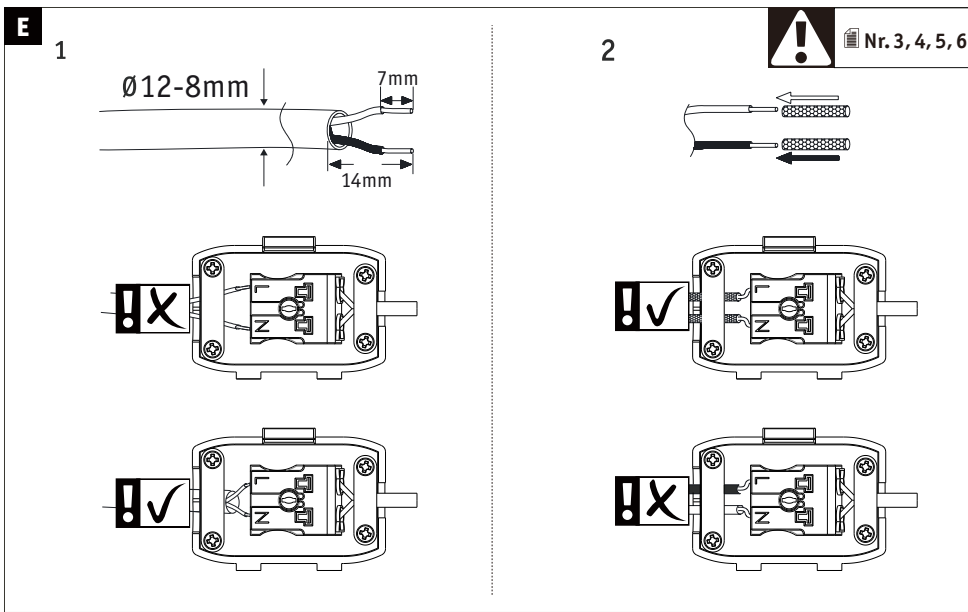


3x



Incl.





ENERGY CLASSIFICATION

Y IJA
IE IA
енергия · ενεργεια

A++
A+
A
B
C
D
E

A+

7 kWh/1000h

ø 51 mm

dimmable

≈ 30x
1.000h

CE

PAP

460 lm

6,5W
230V

warm white
2700K

CRI/Ra ≥ 80

ON OFF ≥ 50.000

Lumen 60% < 1 s

390093690