

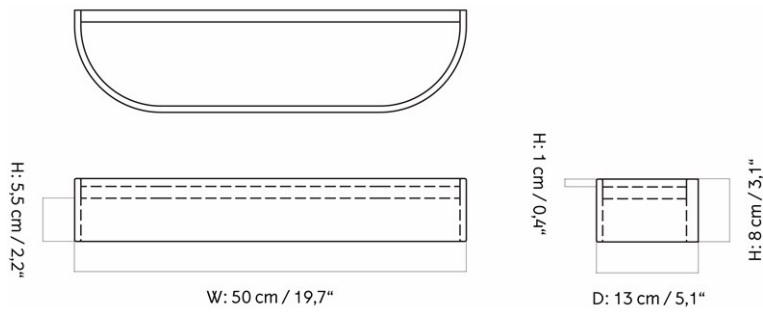
EPOCH COLLECTION
SHELF - OAK, NATURAL / FOG - 50
Designed by *Nina Bruun*



Curved edges and warm materiality meet on the Epoch Shelf, designed by Nina Bruun. Crafted from oak veneer in two finishes, the wall-mounted design brings a natural touch to walls as a practical landing spot for hallway clutter or a space-enhancing base for decorative objects. It can be turned for use as either a deep tray or shallow shelf and multiples can be suspended in rows.

SKU	71005-002281	COUNTRY OF ORIGIN	CN
EAN	5709262078912	MATERIALS	Plywood, HPL, Oak Veneer
DESIGNER	Nina Bruun	CO2e	44.50 kg
PRODUCT TYPE	Shelf	2D FILES	Download
COLLI	2 pcs.	3D FILES	Download
ENVIRONMENT	Indoor	WARRANTY	2 years (Download)
		CARE INSTRUCTIONS	Finish
		ASSEMBLY INSTRUCTIONS	Download

EPOCH COLLECTION
SHELF - OAK, NATURAL / FOG - 50
Designed by *Nina Bruun*



Technical Specifications

DIMENSIONS	Product Height: 8 cm Product Width: 50 cm Product Depth: 13 cm	PRODUCTION PROCESS	Bended plywood with oak veneer and high pressure laminate.
WEIGHT	1.15, kg		
PACKAGING TYPE	Gift Box		
PACKAGING MEASUREMENTS	H x W x D 13, cm x 16, cm x 56, cm		