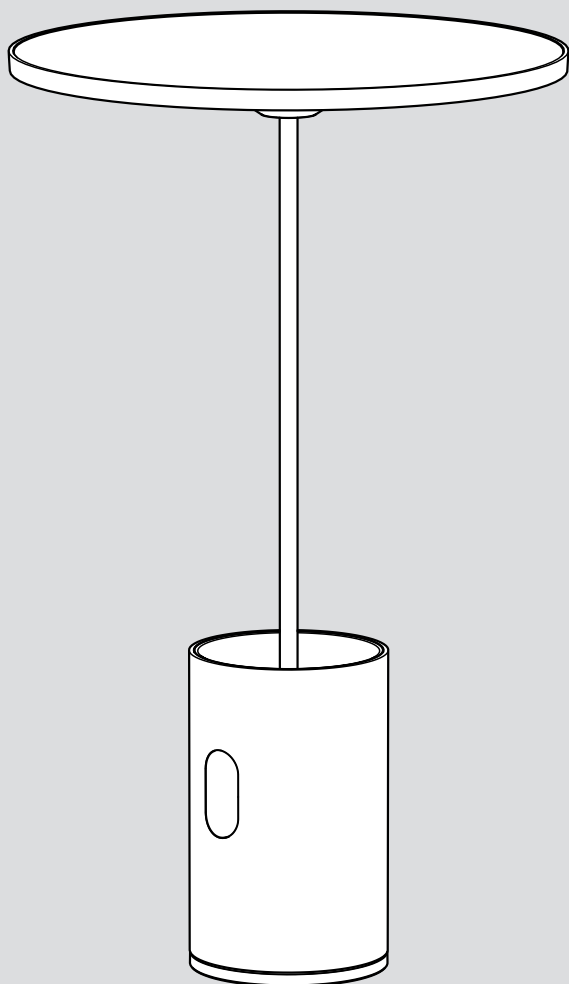


# Artemide®

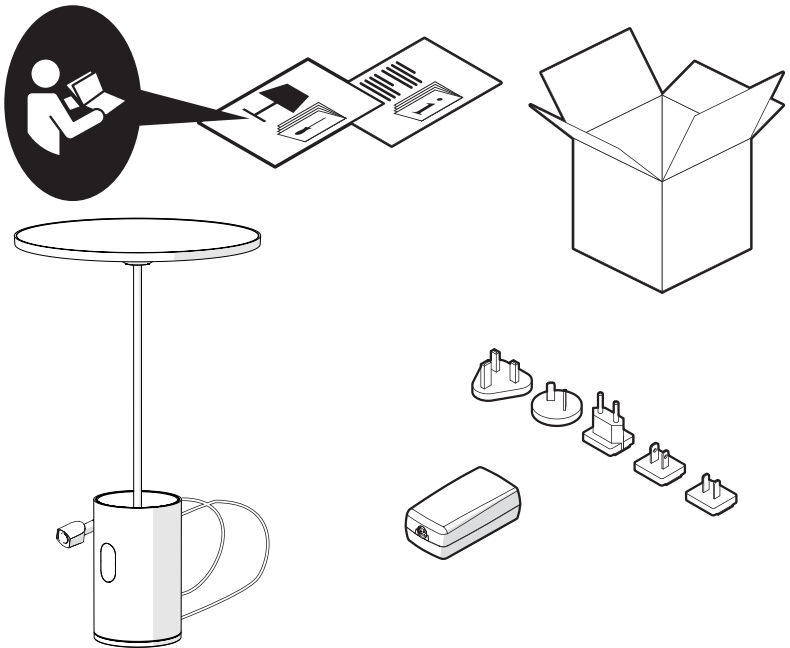
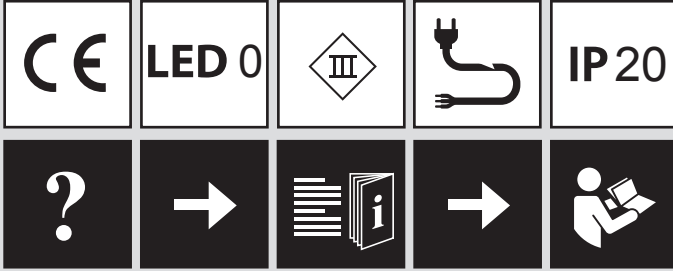
## Sisifo

design  
S. Wilson

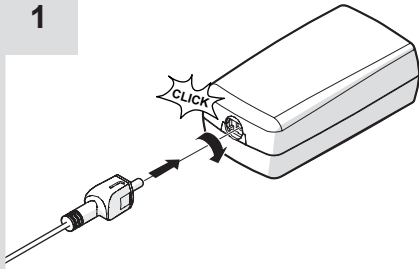




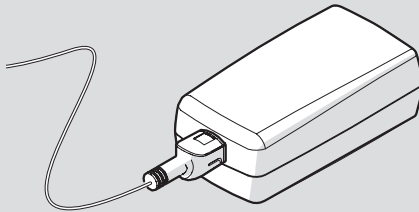
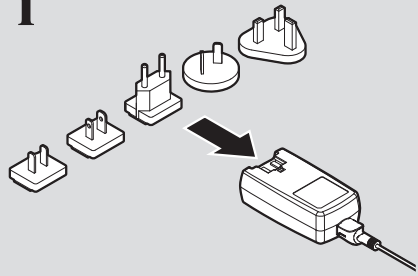
i



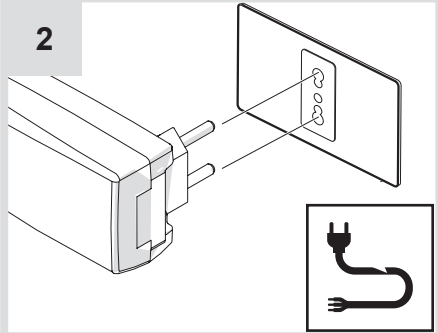
1



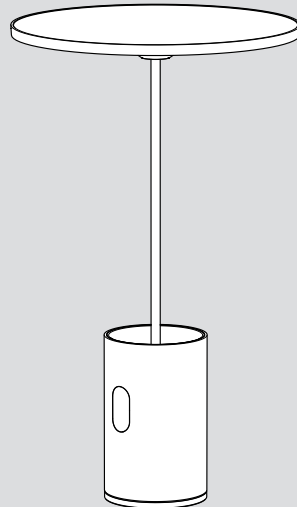
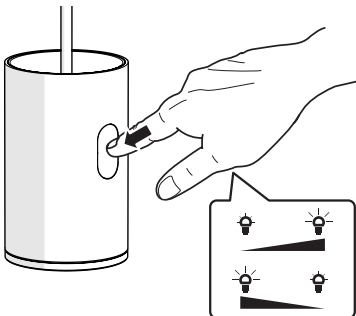
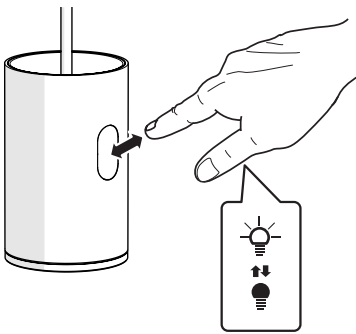
i



2

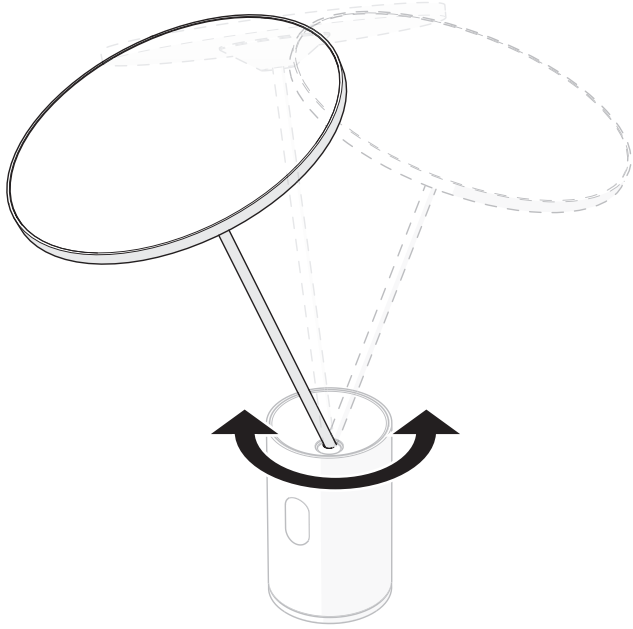


i



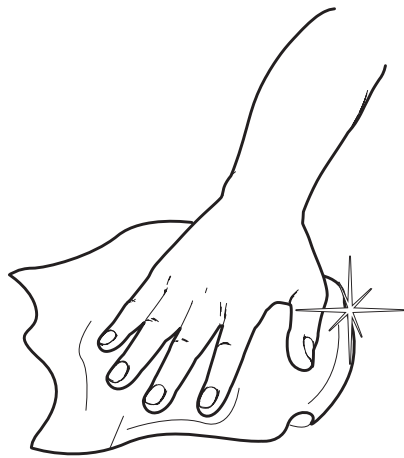
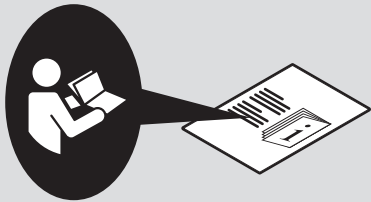


**i**



**i**









**Artemide®**



**Artemide**

via Bergamo, 18  
20010 Pregnana M.se (MI)  
ITALIA

tel. +39 02 935 181  
fax +39 02 935 90 254  
fax +39 02 935 90 496

[www.artemide.com](http://www.artemide.com)

VAT IT00846890150

cod. Y513000224A