

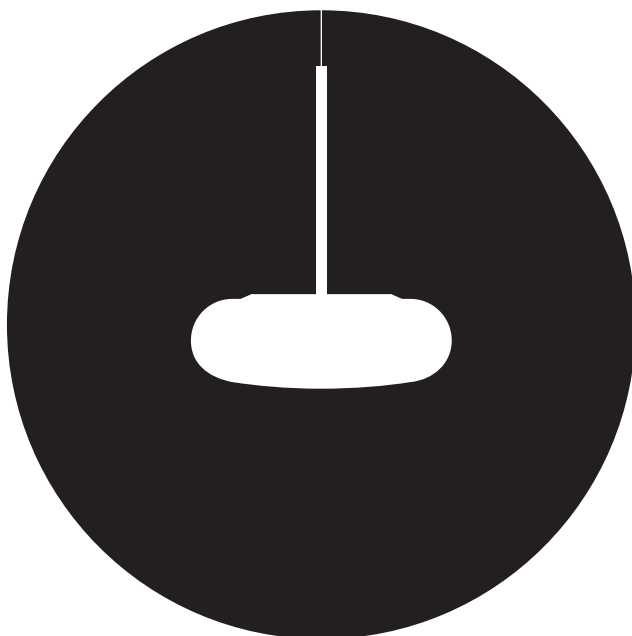
ITKA

suspension

Naoto Fukasawa | 2010

DANESE

MILANO



Ø 20



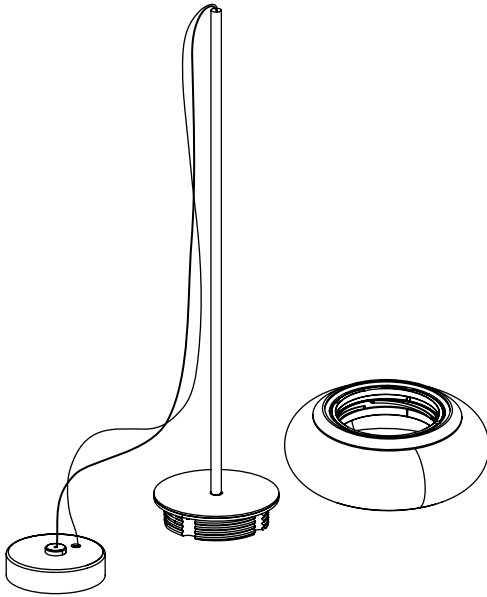
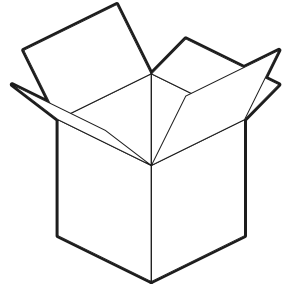
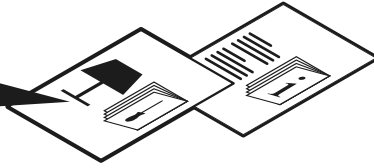


Fig. 1

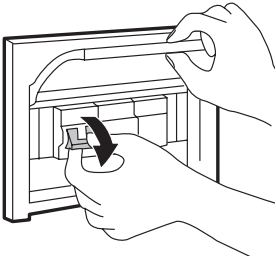
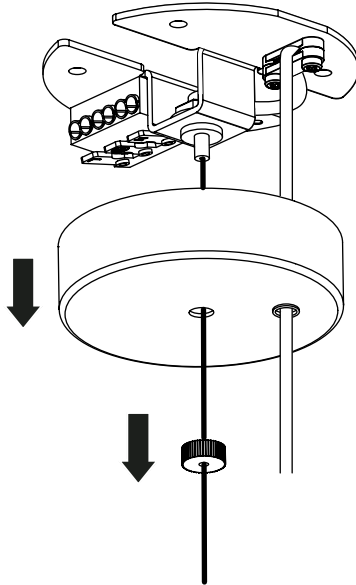


Fig. 2

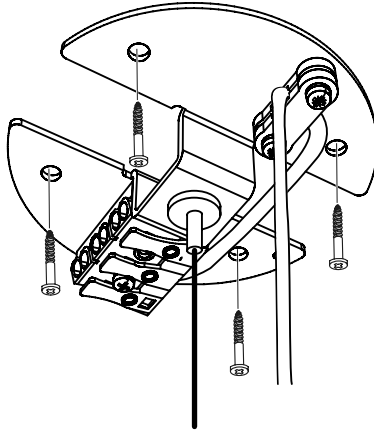


Fig. 3

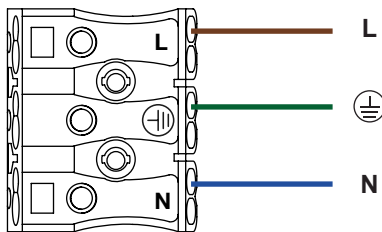


Fig. 4

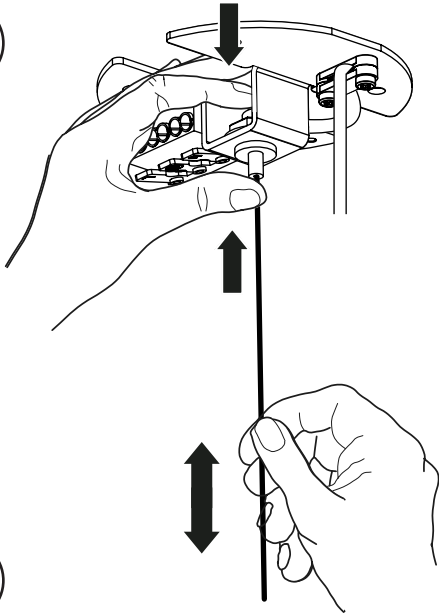


Fig. 5

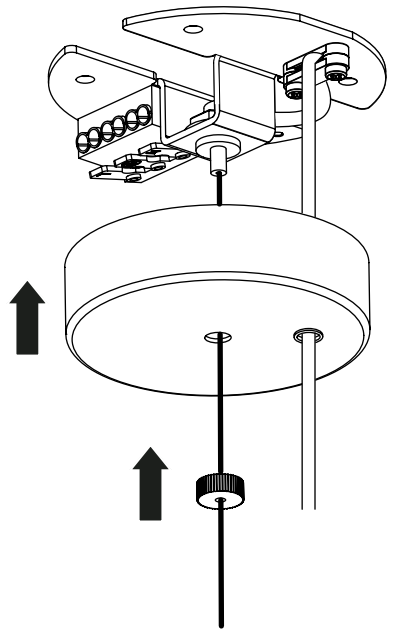


Fig. 6

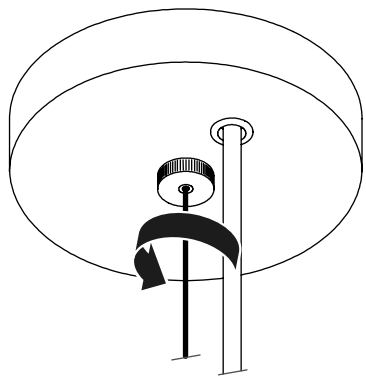
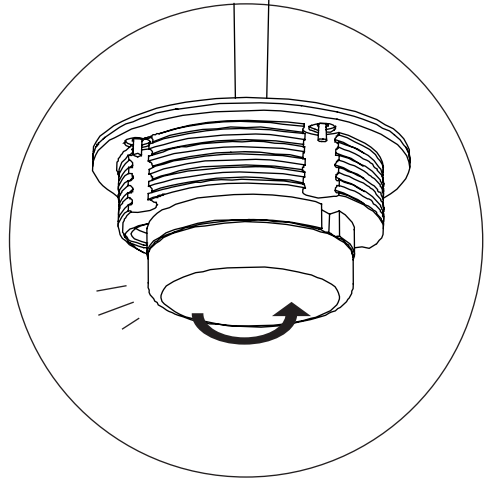
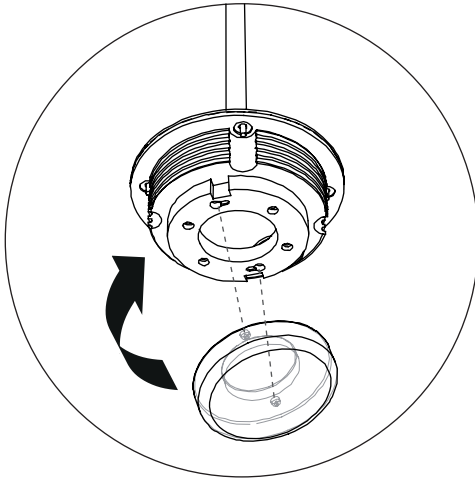


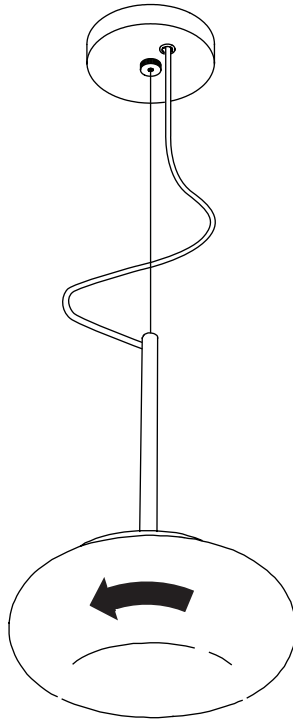


Fig. 7



220 - 240 V / 50 - 60 Hz	
MAX 9W (Gx53)	
Fluo: FBSH	360 lm
LED:	300 lm

Fig. 8





DANESE

VIA ANTONIO CANOVA 34

20145 MILANO

T. +39.02.349611

F. +39.02.34538211

info@danese milano.com

www.danese milano.com

SHOWROOM

PIAZZA SAN NAZARO IN BROLO 15

20122 MILANO

T. +39.02.58304150

F. +39.02.58433350

showroomdanese@artemide.com

DANESE



MILANO | Artemide®

VIA BERGAMO 18

20010 PREGNANA MILANESE (MI) ITALY

T. +39.02.935181 - 935261

Numero Verde 800 834 093 (from Italy only)

© JULY 2016 DANESE

DANESE reserves the right to change, at any time and without prior warning, the technical specification of any product illustrated in this instruction.

cod. Y513000610