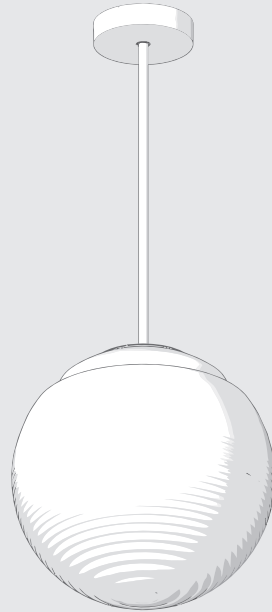


Artemide®

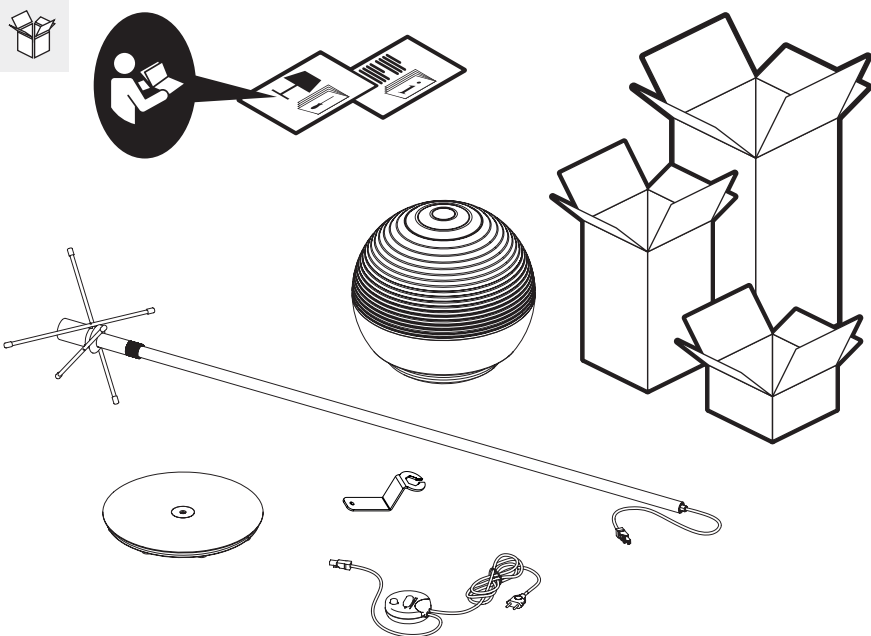
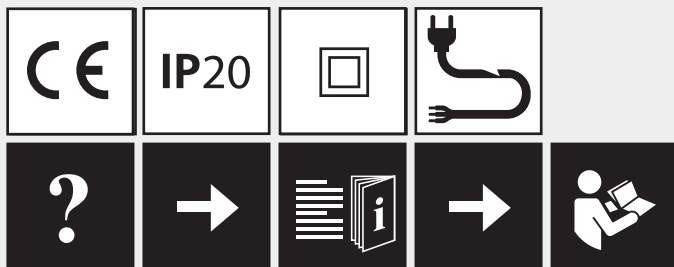
Vitruvio

design
Atelier Oi

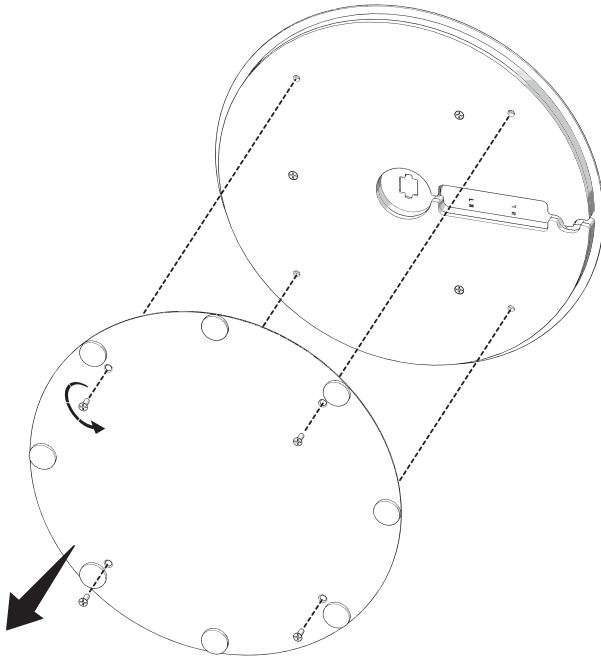




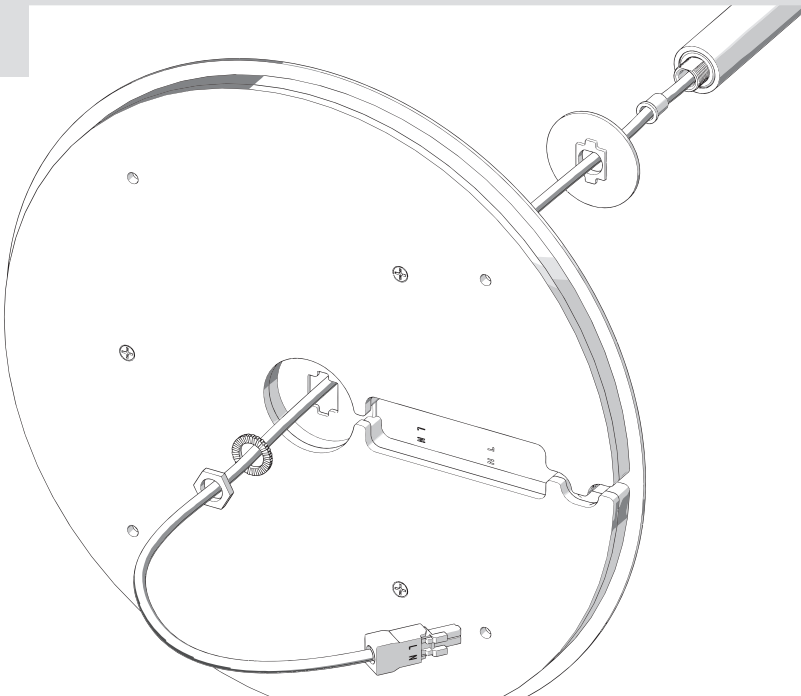
i



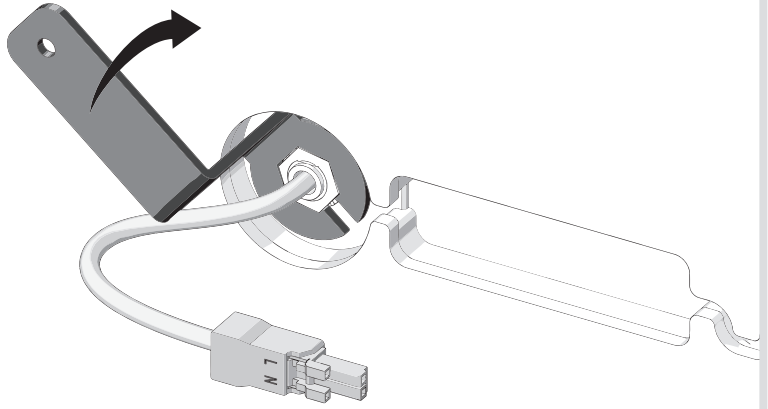
1



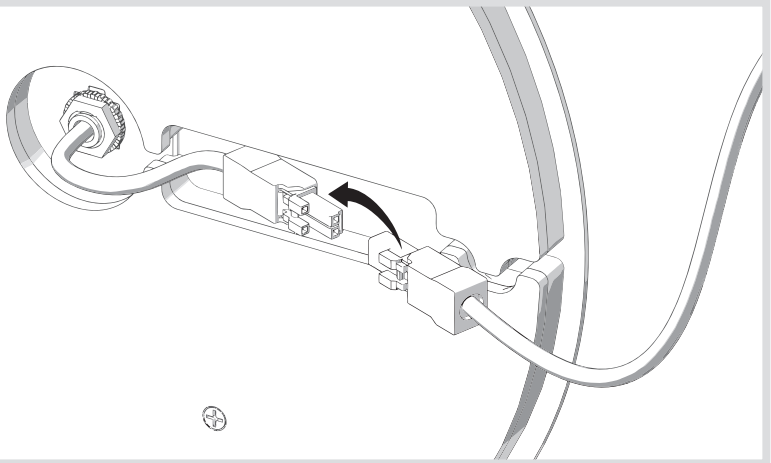
2



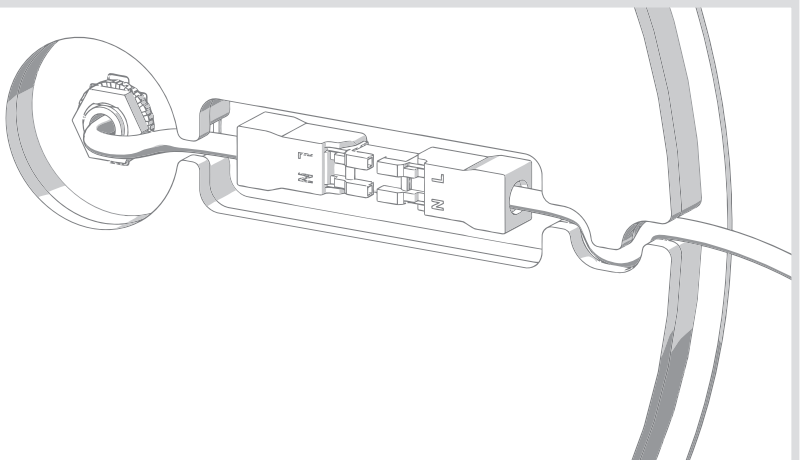
3



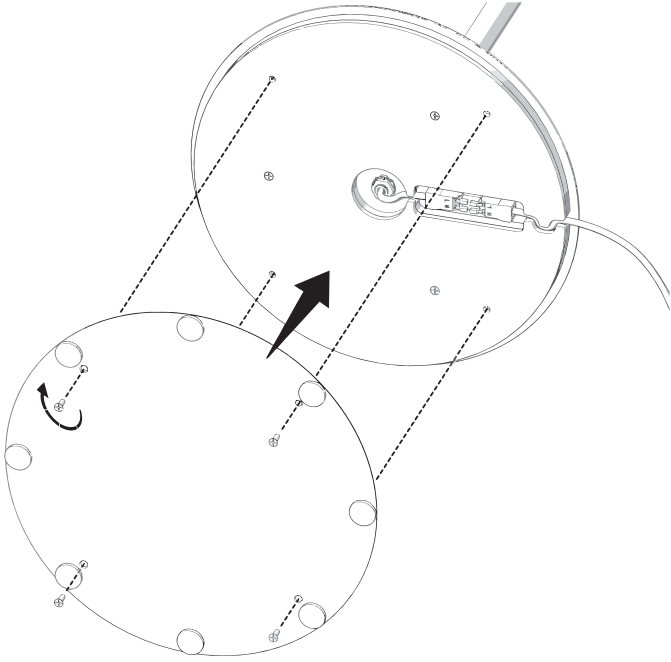
4



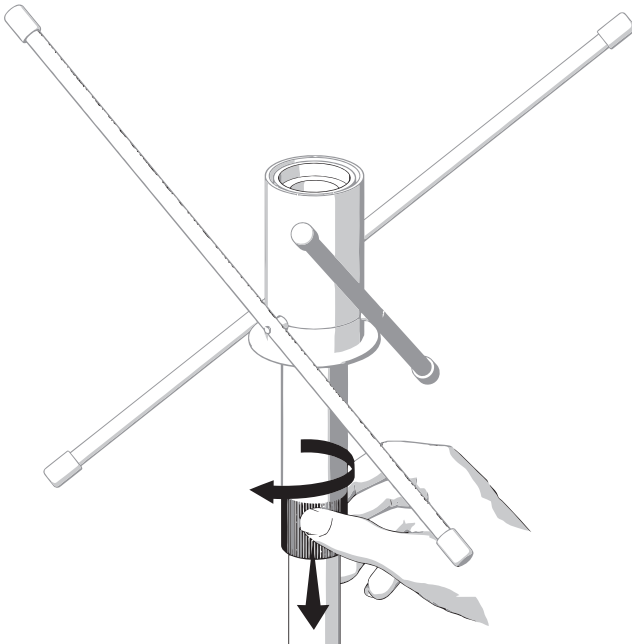
5



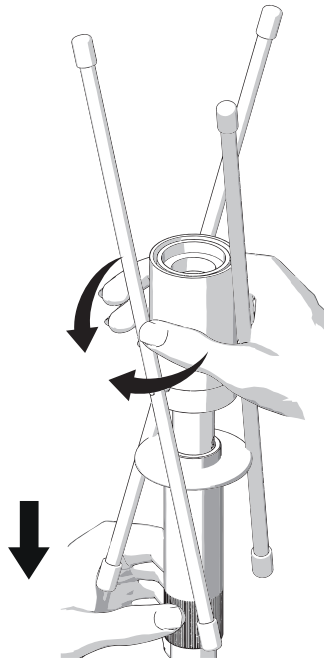
6



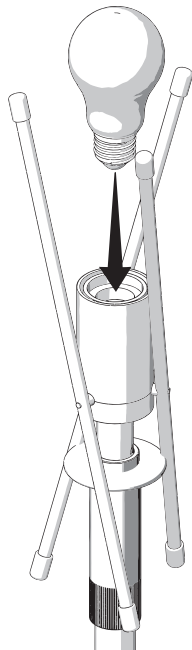
7



8

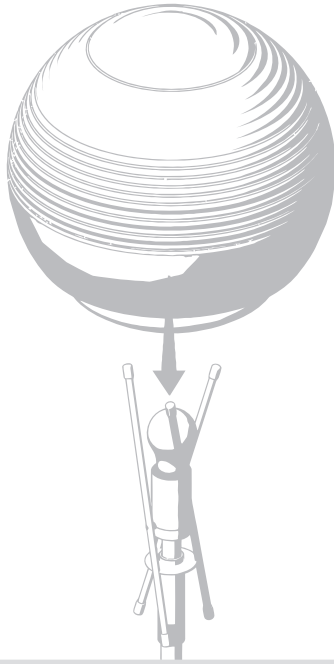


9

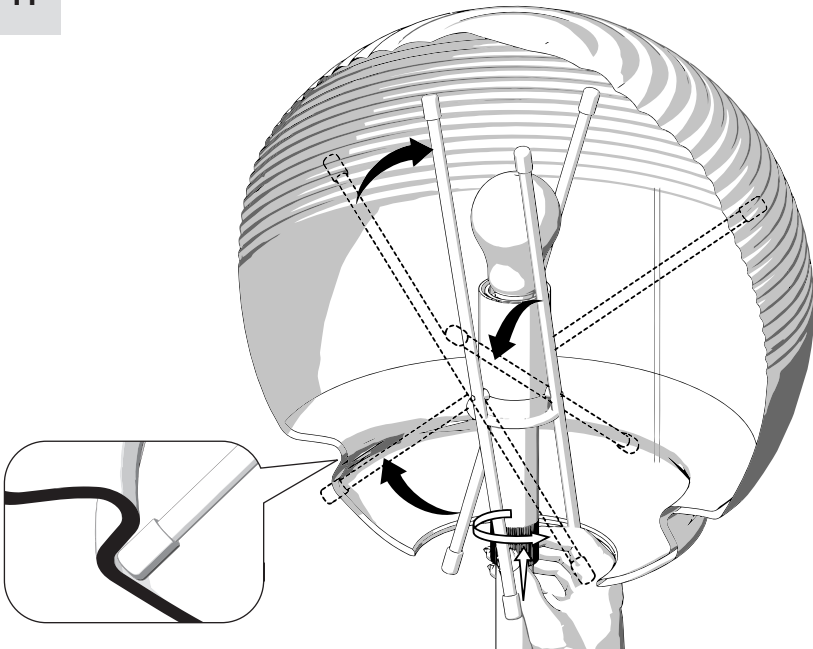


MAX 21W LED E27

10

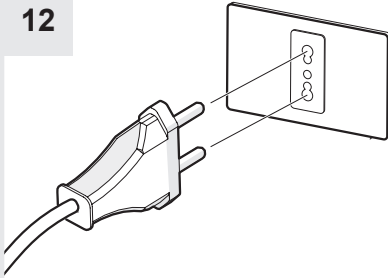


11

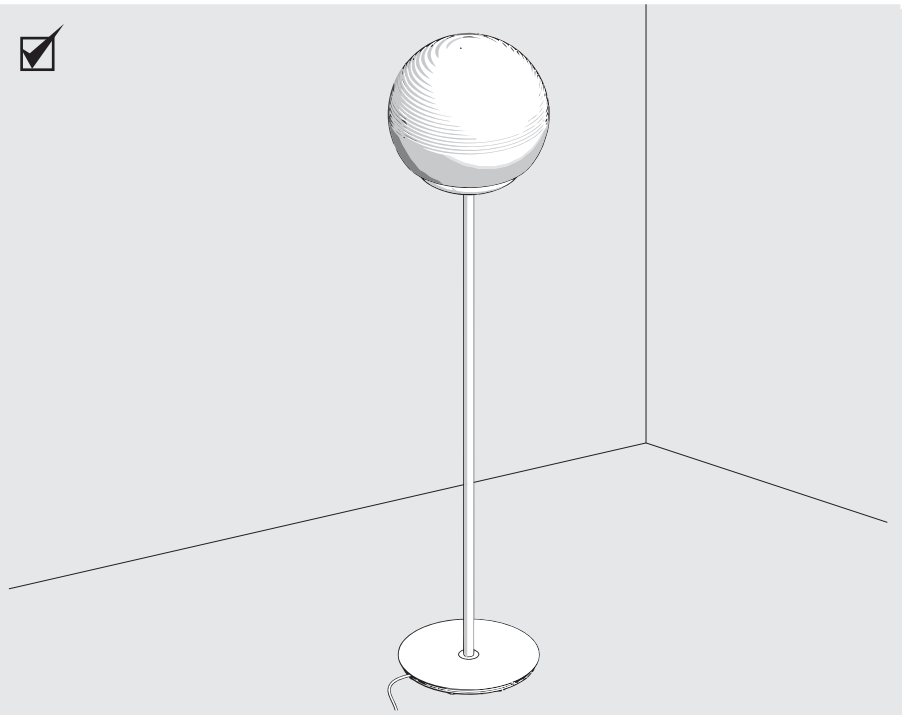
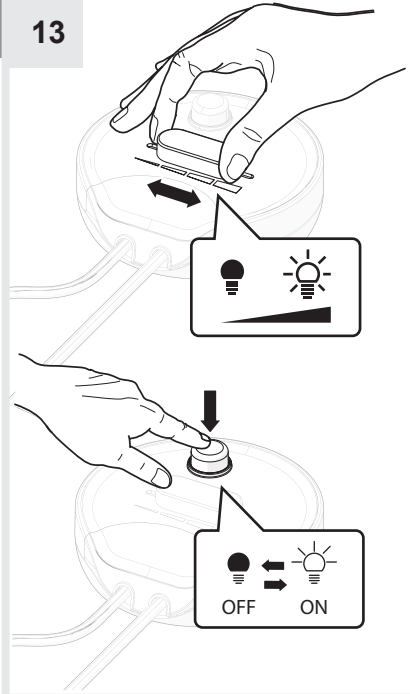




12

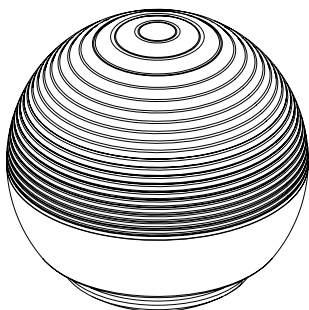


13

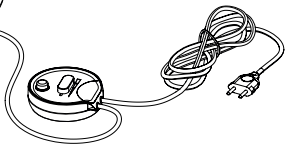
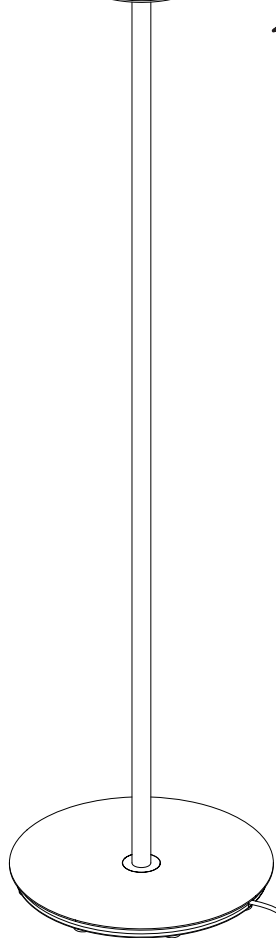




i

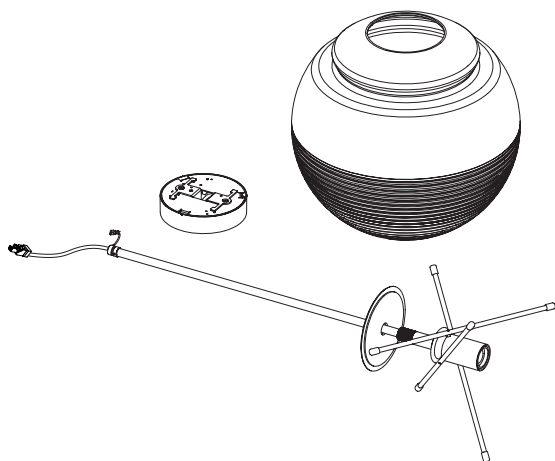
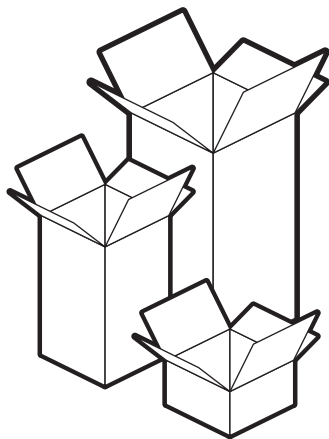
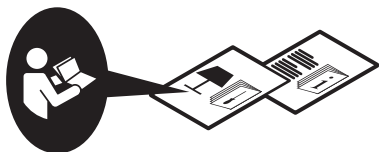
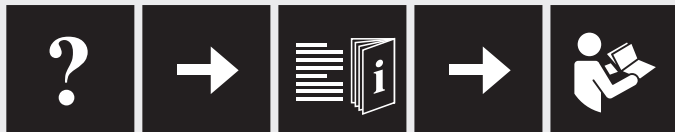


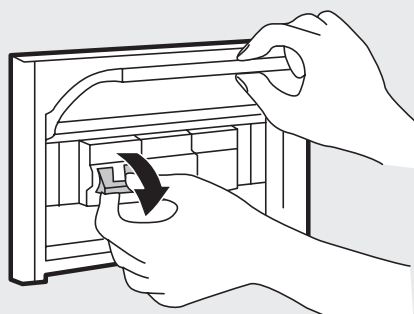
MAX 21W LED E27



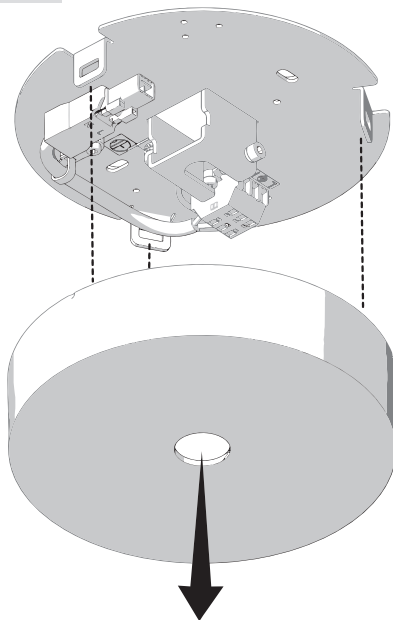


i

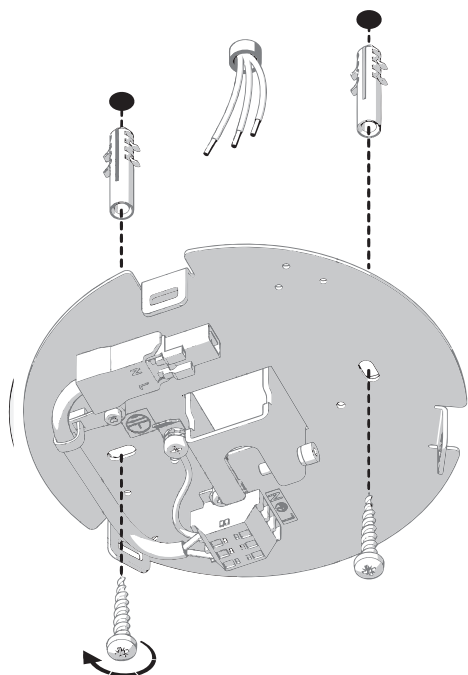




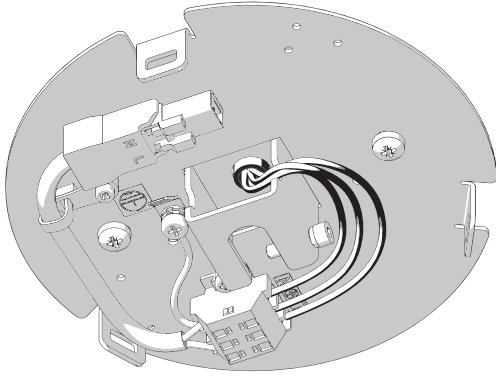
1



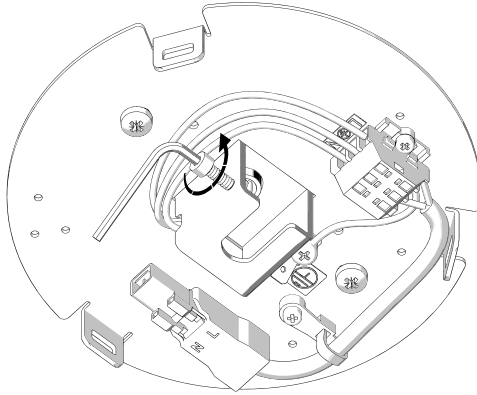
2



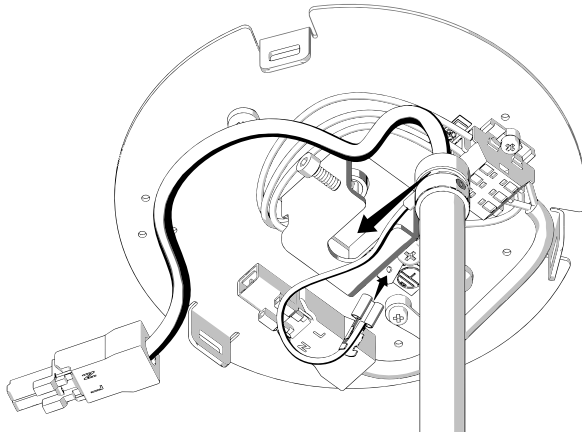
3



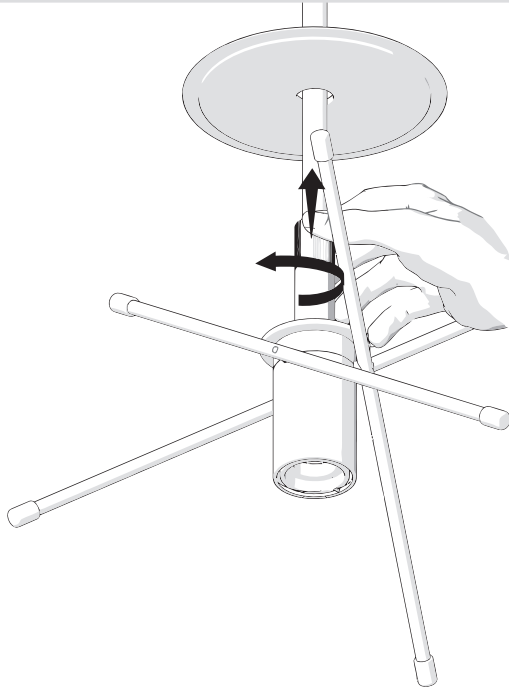
4



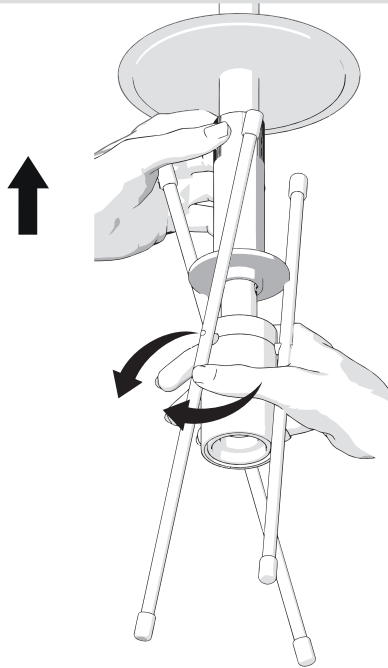
5



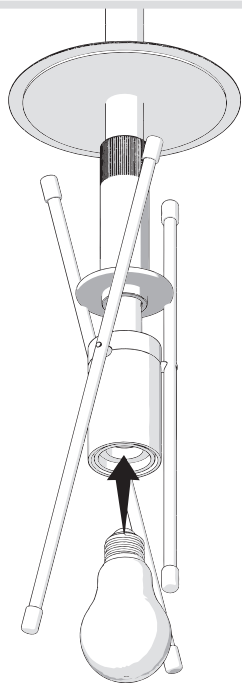
8



9

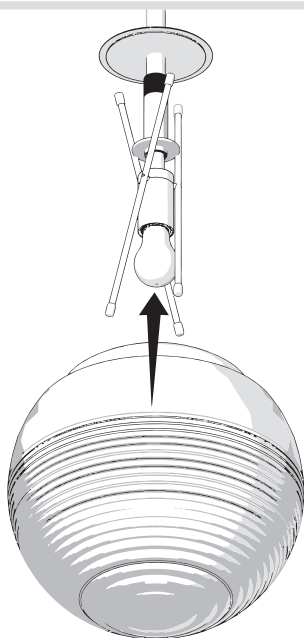


10

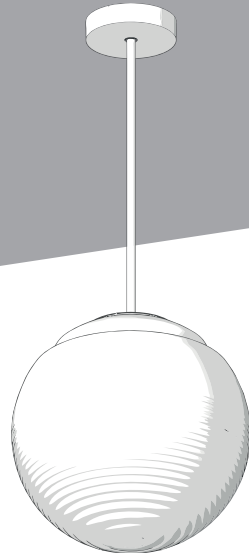
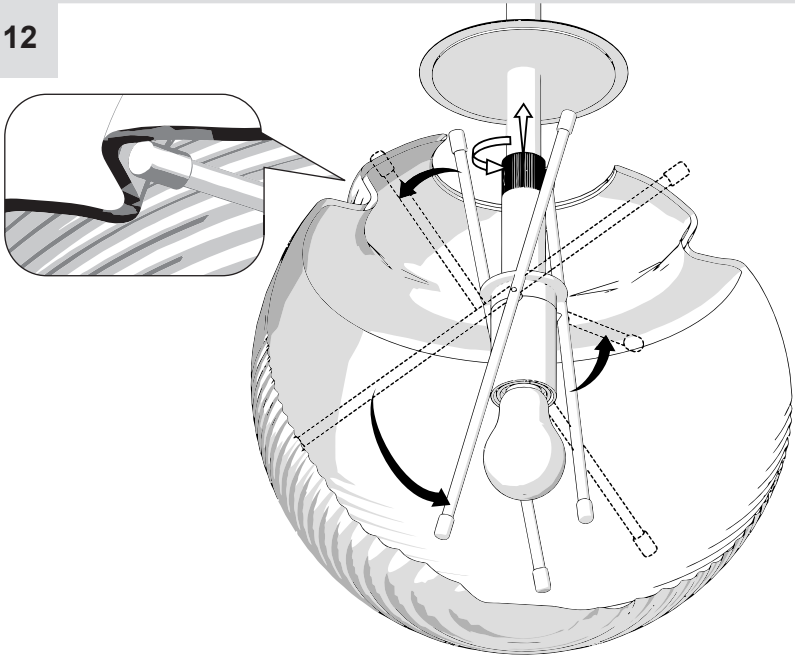


MAX 21W LED E27

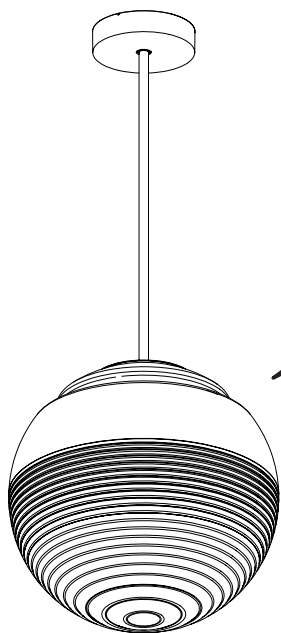
11



12

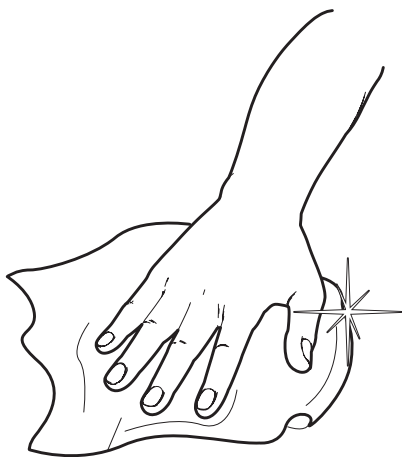


i



MAX 21W LED E27





Artemide®



Artemide

via Bergamo, 18
20010 Pregnana M.se (MI)
ITALIA

tel. +39 02 935 181
fax +39 02 935 90 254
fax +39 02 935 90 496

www.artemide.com

VAT IT00846890150

Artemide Inc.

250 Karin Lane
Hicksville, NY 11801

Tel. 631 694 9292
Toll Free 1-877-Art-9111
Fax 631 694 9275

www.artemide.net

Artemide Ltée/Ltd.

11105 rue Renaude Lapointe
Montréal, Québec H1J 2T4

Tel. 514 323 6537
Toll Free 888 777 2783
Fax 514 323 8864

www.artemide.net

cod. Y513001051