

Instructions of assembly for the articles:

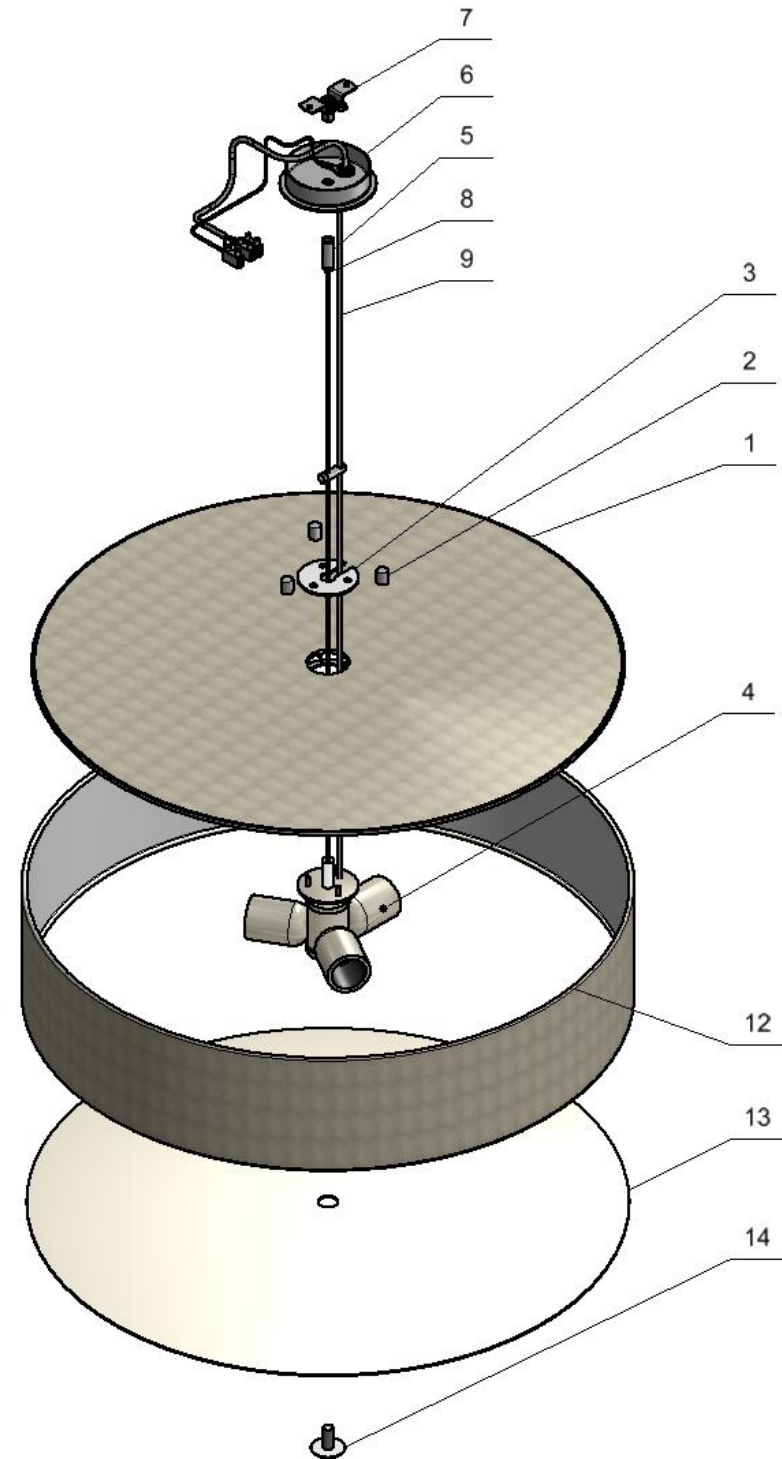
945463-9. – 946463-.. – 945633-..

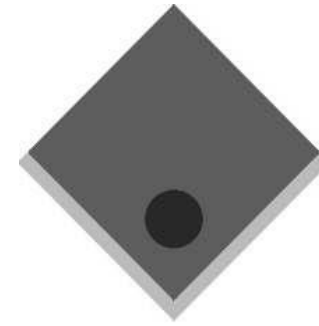
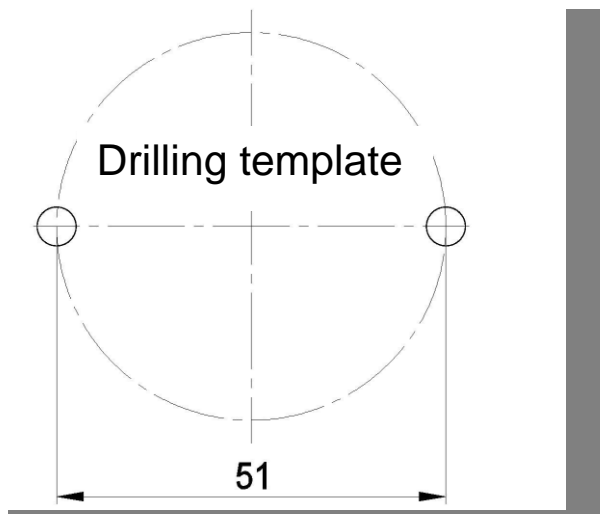
951163-9. – 951363-9. – 951563-9.

Attention: The assembly and the electrical connection of the light may only be carried out by an approved specialist company in compliance with the safety standards and guidelines of the respective country which will apply. Note: The lamp may only be operated with the complete protective cover. The lamp is only suitable for indoor use. Before changing the lamp, let it cool down as there is a risk of injury from the hot lamp. The manufacturer assumes no liability for damage resulting from improper usage.

CAUTION!

Before mounting the lamp under the ceiling, the upper cover of the shade (pos. 1) needs to be mounted on the luminaire. After turning off the cap nuts (pos. 2) and removing the clamping disc (pos. 3) from the socket holder (pos. 4) the cable and the steel cord are inserted from below through the top cover (pos. 1). Continue mounting the top cover (pos. 1) with the clamping disc (pos. 3) and the cap nuts (pos. 4) on the socket holder (pos. 4). Installation of the luminaire: Further on, remove the centrally mounted holder (pos. 5) on the canopy (pos. 6). Now you need to screw the mounting bracket (pos. 7) through the mounting holes on the ceiling. For drilling template, see the back of instructions. Screw the holder (pos. 5) on to the mounting bracket (pos. 7). Now hang the lamp on the steel cable. Push the steel cable into the cable holder (pos. 8). Connect the lamp cable (item 9) through the strain relief in the canopy (pos. 6) and with the main connection terminal to the connecting cable. Unscrew the holder (pos. 5) and screw it with the canopy (pos. 6) back onto the mounting bracket (pos 7). Secure the cable of the lamp with a grub screw in the strain relief. Insert the steel cable (pos. 10) in the rope holder (pos. 8). If the steel cable (pos. 10) is to be shortened, it can be released by pushing in the thin pin on the rope holder (pos. 8). It is important to ensure that the luminaire is only hanging on the steel cable (pos. 10), so that the lamp cable is not carrying any load (pos. 11)! Lampshade assembly: To assemble the lampshade (pos. 12) guide the shade from the bottom on to the cover (pos. 1) from below. The lampshade (pos. 12) should rest on the top cover. Should the lamp hang crooked it can be aligned after loosening the three cap nuts (pos. 2) on the clamping disc (item 3) by moving them. Insert the lower cover (pos. 13) of the lampshade (pos. 12) at an angle into the shade to place it on the lower ring of the lampshade. Now fasten the cover with the fastening disc (pos. 14).





HUFNAGEL

l e u c h t e n

Hufnagel Leuchten GmbH
Talweg 24, 59846 Sundern
www.hufnagel-leuchten.de