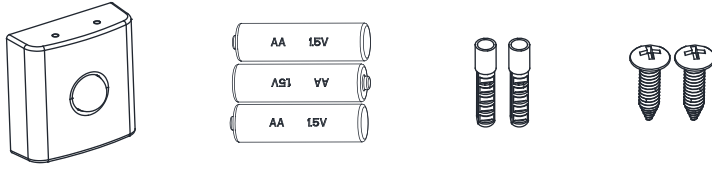
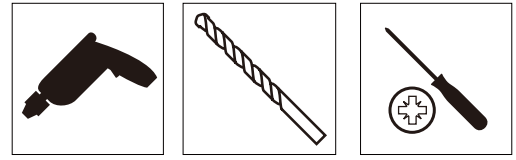


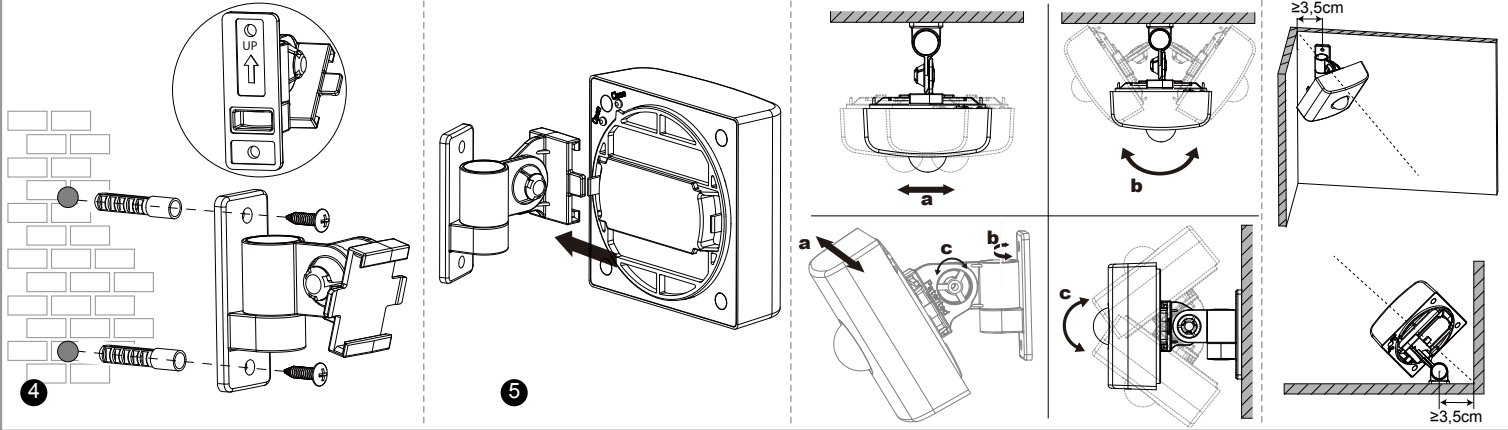
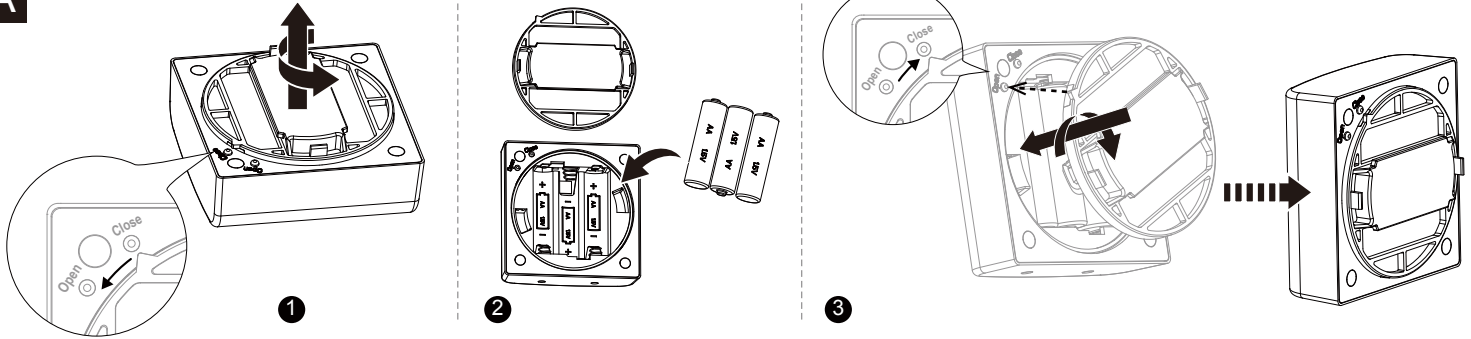
### packing list



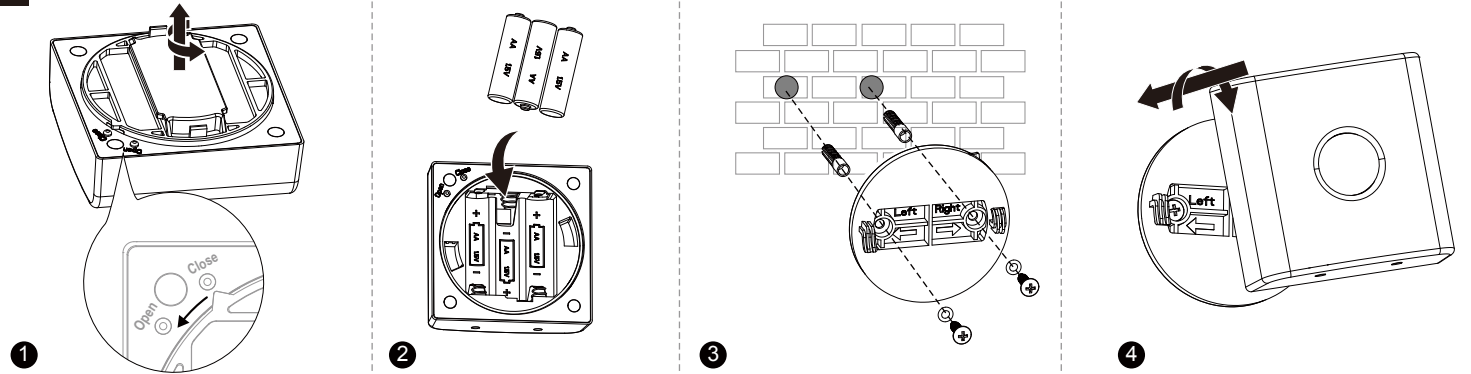
### Tools list



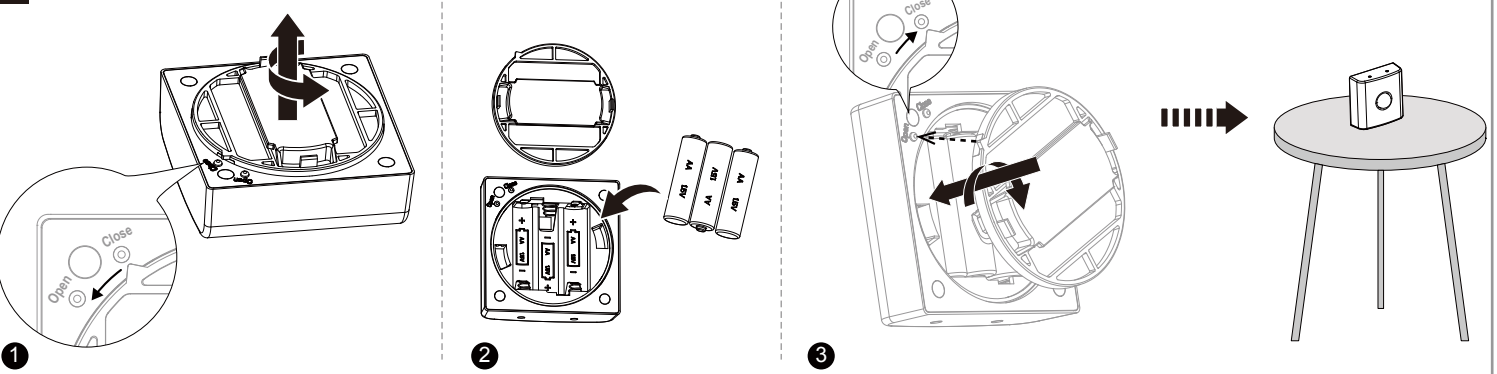
### A Install on the wall with holder

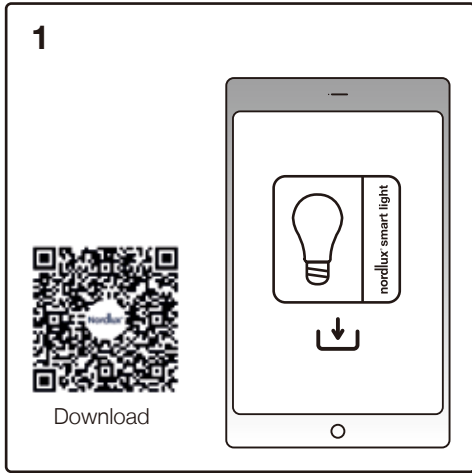


### B Install on the wall without holder

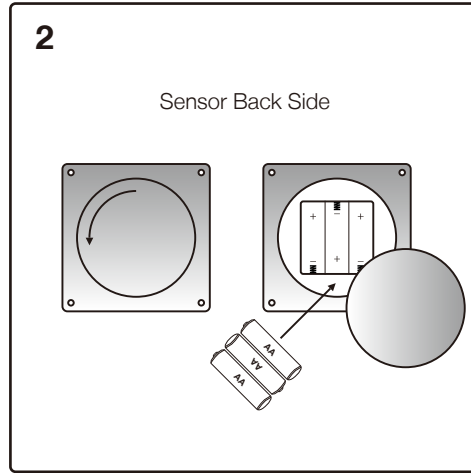


### C Place on the table/shelf

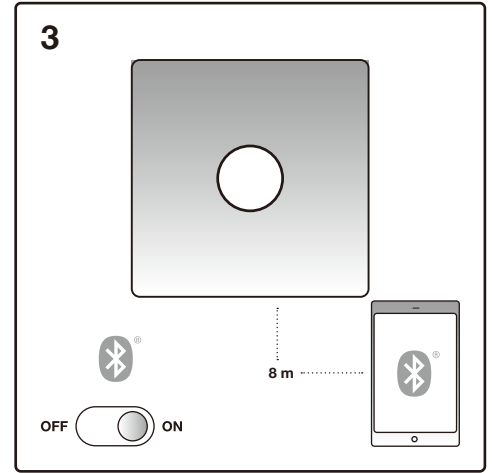




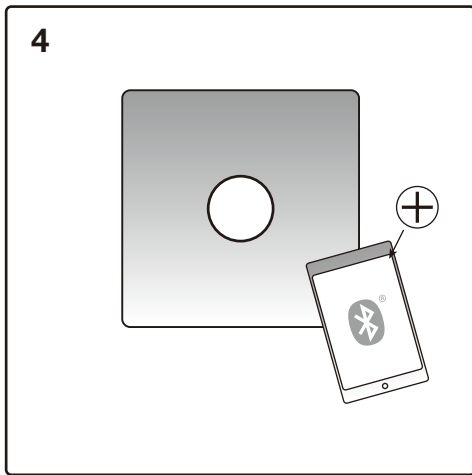
Download Nordlux Smart Light  
in Apple App Store or Google Play



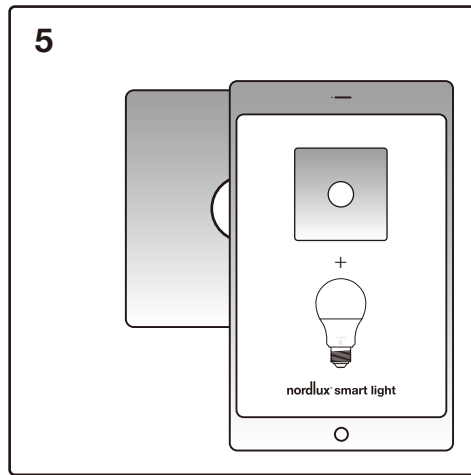
Mount 3 x AA batteries



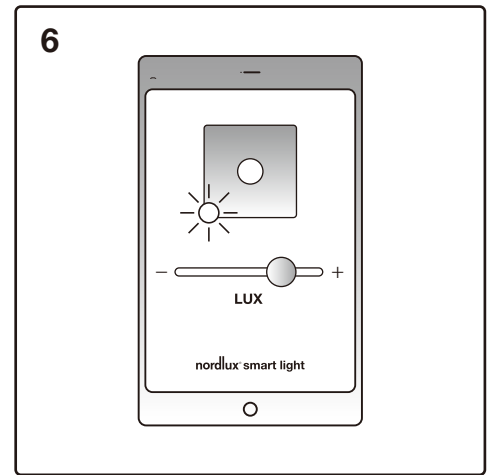
Turn on the Bluetooth of your phone.  
Stay within 8 meters from the sensor



Open Nordlux Smart Light  
App and connect sensor via "+" in App



Select the bulbs and luminaires  
to be controlled by the sensor



Select the settings for the sensor

# START SMART

# nordlux®