

# Original 1227™ Desk Lamp

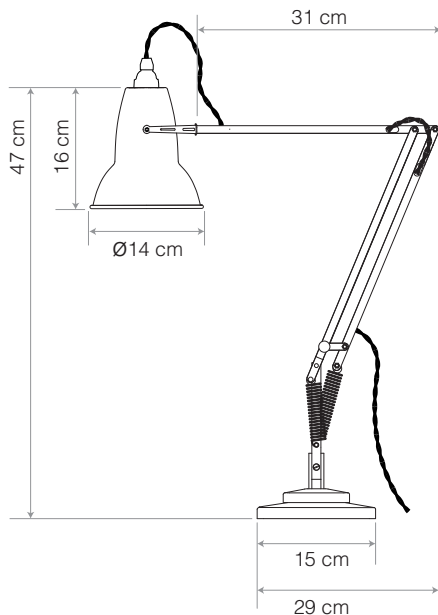
ANGLEPOISE®

Original 1227™ Collection | Technical Sheet

Launched In 1935 | Designed by George Carwardine



Max Horizontal Reach 72 cm  
Max Vertical Reach 90 cm



## Product

Desk Lamp - Jet Black  
Desk Lamp - Linen White  
Desk Lamp - Dove Grey  
Desk Lamp - Bright Chrome

## Description

Launched in 1935 and generally considered the archetypal Anglepoise, the Original 1227™ pioneered our unique constant spring technology to deliver ultimate flexibility and perfect balance. Today this timeless, classic design enjoys iconic design status.

## Materials

- Gloss paint finish
- Aluminium Shade and arms
- Chrome plated fittings
- Cast iron base with steel cover
- Fabric cable
- IP20 rating

## Dimensions

- Shade diameter: Ø14cm
- Shade height: 16cm
- Max reach: 72cm (from base to shade)
- Base size: 15 x 15cm
- Cable length: 200cm
- Lamp Packaging (L x W x H): 31.4cm x 19cm x 48cm
- Lamp Packaged Weight: 3.55kg

## Electrical

- Voltage: 220/240V, 50/60Hz
- Class II - Double insulated
- Note: Bulb weight critical for balance. Approximate bulb weight 25-60g
- Inline cable switch (30cm from product)
- Plug: 2-pin Europlug to CEE 7/16
- E27 lamp holder
- Maximum permitted bulb: 20W CFL / 10W LED E27
- Supplied with compatible 10W LED E27 bulb
  - Luminous Intensity: 806lm
  - Life: 15,000 Hours
  - Non-dimmable
  - Colour Temperature: 2700K
  - CRI (Ra): 80



Bulb  
included



Accessories  
available