

# ITKA

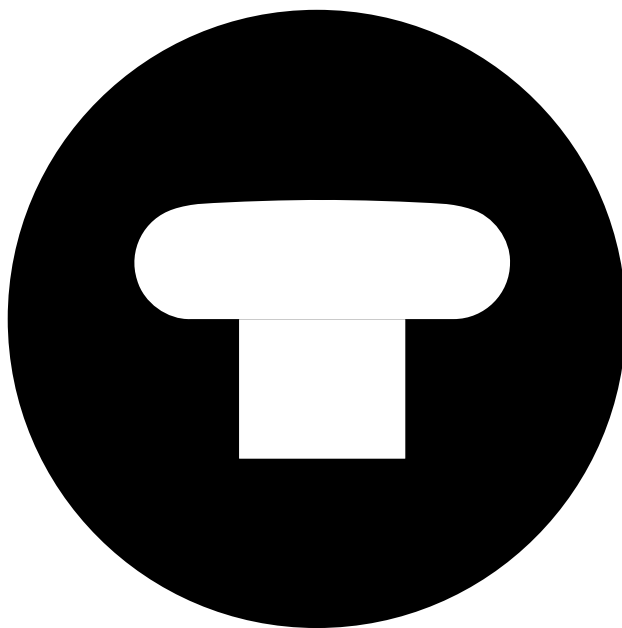
table

Naoto Fukasawa | 2013

DANESE



MILANO



MADE IN ITALY



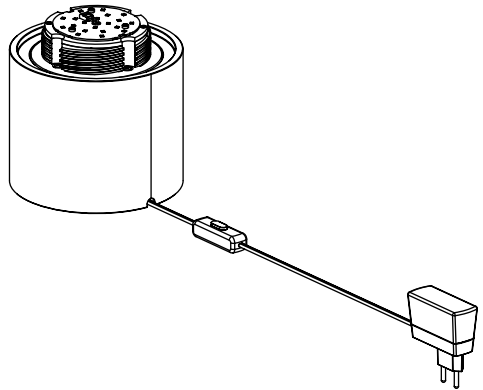
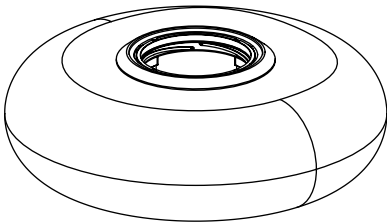
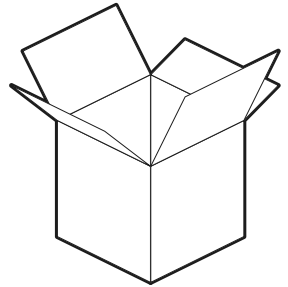
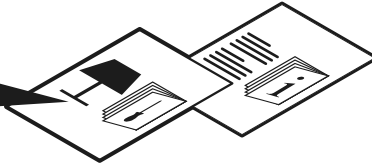


Fig. 1

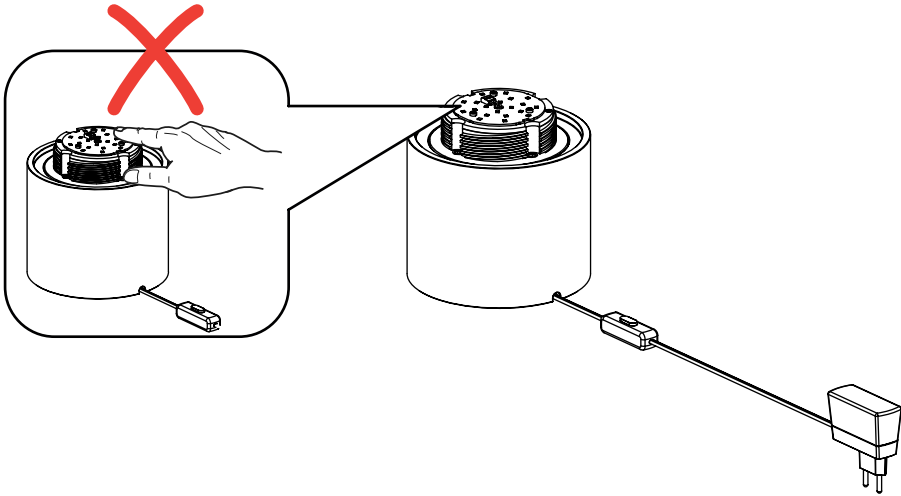
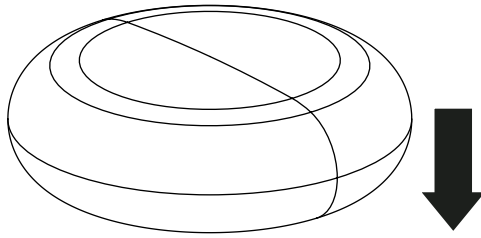


Fig. 2

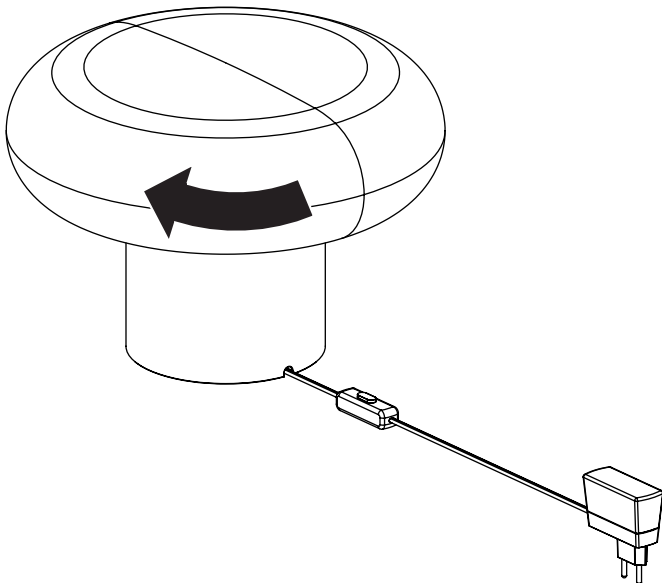


Fig. 3

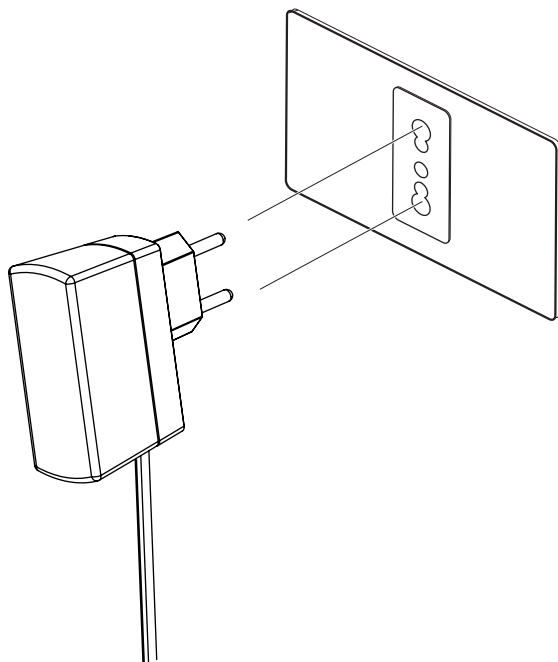
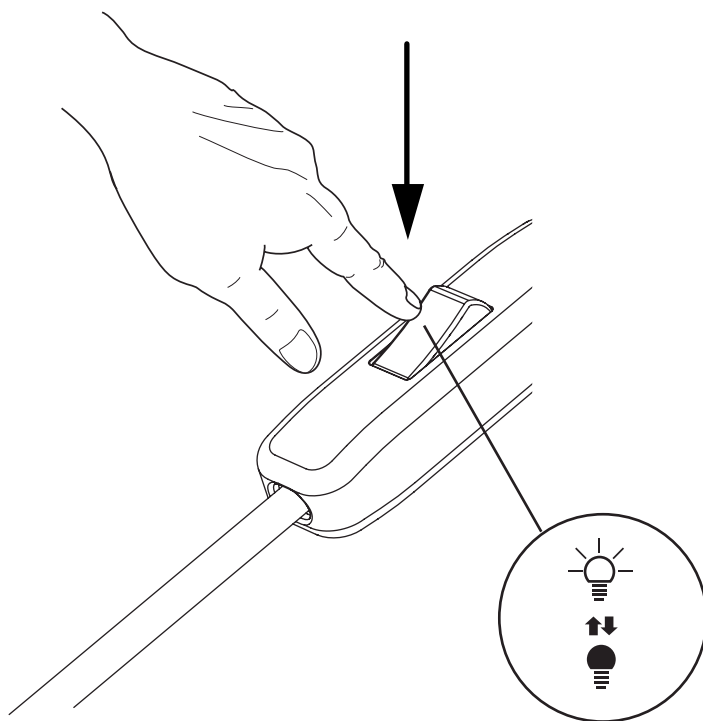
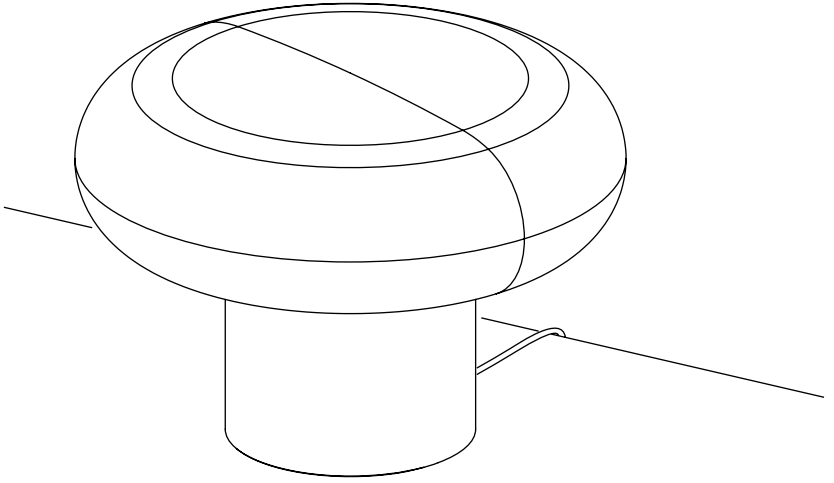
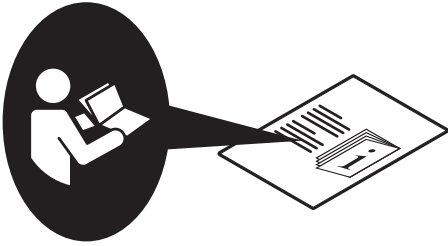


Fig. 4









## DANESE

---

VIA ANTONIO CANOVA 34

---

20145 MILANO

---

T. +39.02.349611

F. +39.02.34538211

info@danese milano.com

www.danese milano.com

## SHOWROOM

---

PIAZZA SAN NAZARO IN BROLO 15

---

20122 MILANO

---

T. +39.02.58304150

F. +39.02.58433350

showroomdanese@artemide.com

# DANESE



# MILANO | Artemide®

VIA BERGAMO 18

---

20010 PREGNANA MILANESE (MI) ITALY

---

T. +39.02.935181 - 935261

Numero Verde 800 834 093 (from Italy only)

© APRIL 2017 DANESE

---

DANESE reserves the right to change, at any time and without prior warning, the technical specification of any product illustrated in this instruction.

**Cod. DS0070AIS**